

Types:

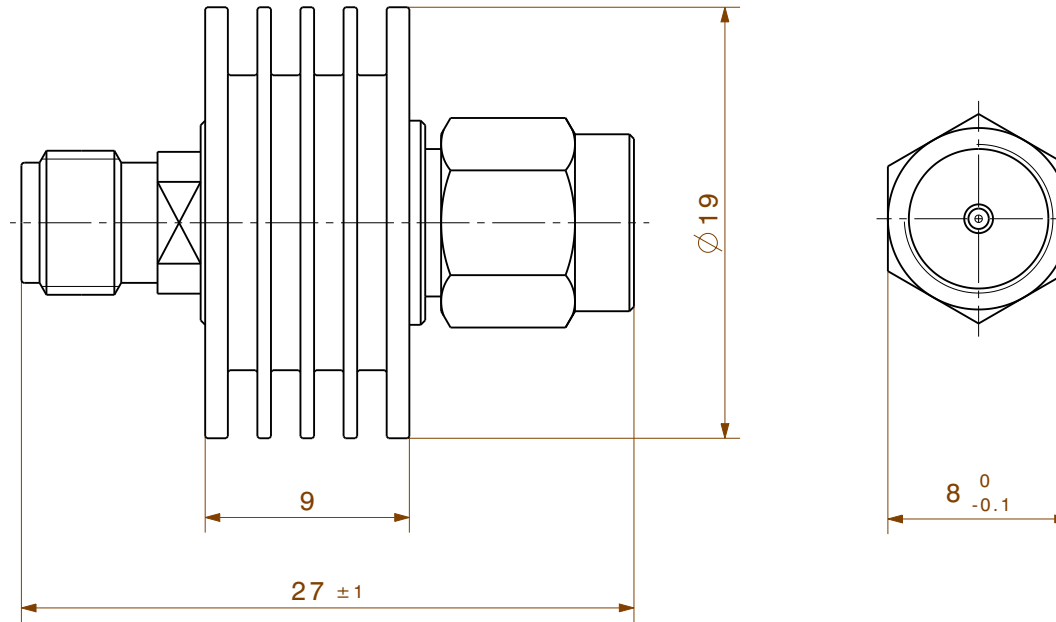
5930_SMA-50-005

5910_SMA-50-005

5903_SMA-50-005

5906_SMA-50-005

5920_SMA-50-005



Type:

Assembly drawing

HUBER+SUHNER

Released date: 31.10.2022

alternative ID

description
Attenuator

All dimensions after treatment in millimeter (mm)

3D-ID PRO-01168062 A Sheet: 1 / 1

ID Release
DOU-01168063 A