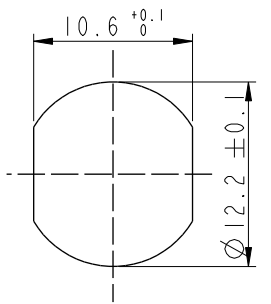


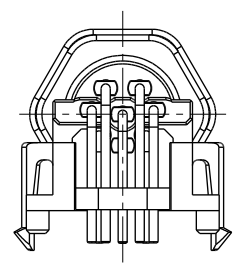
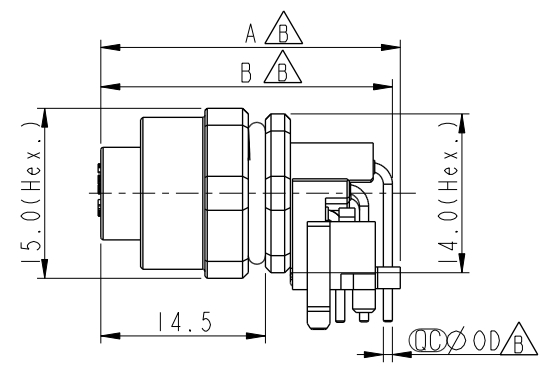
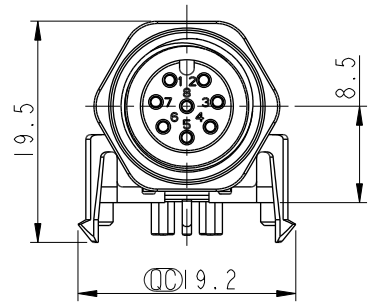
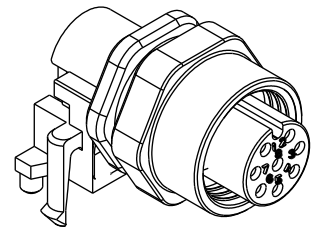
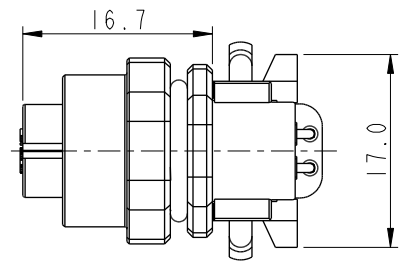
THIS DOCUMENT IS SUBJECT TO CHANGE WITHOUT NOTICE. IT IS CONFIDENTIAL AND A PROPERTY OF Amphenol LTW. DISCLOSURE TO THIRD PARTY HAS TO BE AUTHORIZED BY Amphenol LTW.

REV.	ECN NO.	DATE	SIGN	DESCRIPTION
B	C190510	2019-03-21	Su Nan	Add The Size Table
C	C200275	2020-03-13	Nan_Su	△C X1
D	C210309	2021-03-09	Ruru	△D X4



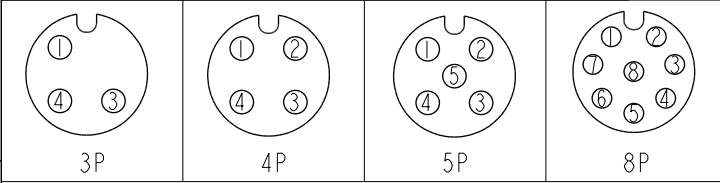
△D
MSAS-XXPFFR-SF7003
XX: No. Of Pin

Recommended Panel Cut-Out

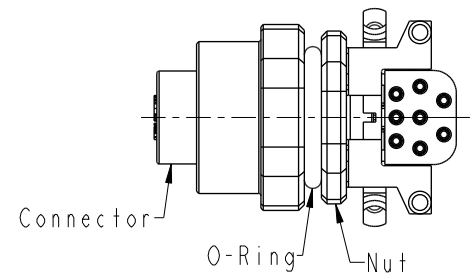


MSAS-03PFFR-SF7003	26.6	25.5	1.0
MSAS-04PFFR-SF7003	26.6	25.5	1.0
MSAS-05PFFR-SF7003	26.6	25.5	1.0
MSAS-08PFFR-SF7003	26.4	25.7	0.8

Item No.	A	B	OD	△B
----------	---	---	----	----



Pin Assignment Front View



- △D Note:
- * RoHS Compliant
 - * Ⓞ Important dimension
 - * Waterproof rate: IPX7, mated
 - * Connector
 - Housing: Thermoplastic, Black
 - Pin: Copper alloy, Gold plated
 - O-Ring1: Rubber, Black
 - O-Ring2: Rubber, Gray
 - Nut: Metal
 - * Nut: Metal
 - * O-Ring: Rubber, Gray
 - * For panel thickness max: 3.0mm
 - * For pcb thickness max: 1.6mm
 - * O-Ring and nut are assembled on connectors

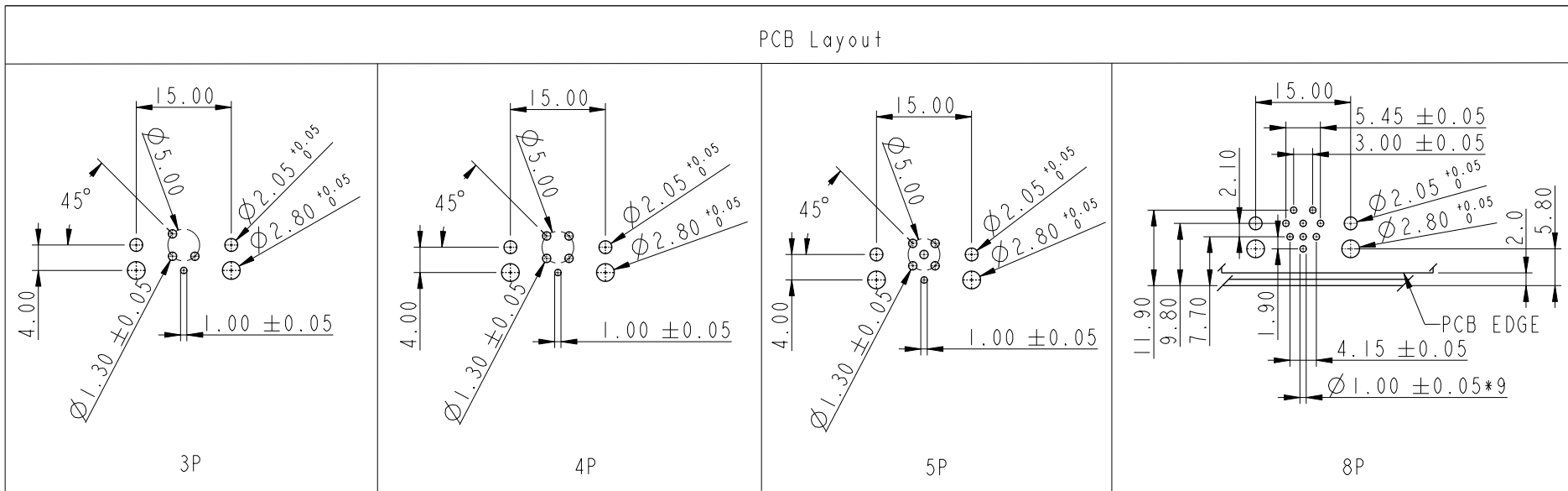
UNIT: mm		TITLE	
TOLERANCE	±0.25	N SEN, M12 A -SHLD, SCREW RECEPTACLE, F, F, PCB R △D	
.X	±0.1	SCALE	3:2
.XX	±0.05	SIZE	A4
.XXX	±0.05	SHEET	1 OF 2
ANGLES	±1°	REV.	D
		WC-REV.	A.3
		Ⓞ: Inspection item	

Amphenol LTW
安費諾亮泰企業股份有限公司

ITEM NO.	DRAWN BY	DATE
DWG NO.	Su Nan	2019-03-21
MSAS-XXPFFR-SF7003	CHECKED BY	DATE
	Feng	2019-03-21
CUSTOMER	APPROVED BY	DATE
ALTW	Jerry	2019-03-21

THIS DOCUMENT IS SUBJECT TO CHANGE WITHOUT NOTICE. IT IS CONFIDENTIAL AND A PROPERTY OF Amphenol LTW. DISCLOSURE TO THIRD PARTY HAS TO BE AUTHORIZED BY Amphenol LTW.

PCB Layout



A	UNIT: mm	TITLE N SEN, M12 A -SHLD, SCREW RECEPTACLE, F, F, PCB R	
	TOLERANCE .X ±0.25 .XX ±0.1 .XXX ±0.05 ANGLES ±1°	SCALE 3:2	SIZE A4
		REV. D	WC-REV. A.3
		SHEET 2 OF 2 ①: Inspection item	

Amphenol LTW
安費諾亮泰企業股份有限公司

ITEM NO	DRAWN BY Su Nan	DATE 2019-03-21
DWG NO MSAS-XXPFFR-SF7003	CHECKED BY Feng	DATE 2019-03-21
CUSTOMER ALTW	APPROVED BY Jerry	DATE 2019-03-21