

R2E225-BE51-13

AC centrifugal fan

backward-curved



ebm-papst Mulfingen GmbH & Co. KG

Bachmühle 2 · D-74673 Mulfingen

Phone +49 7938 81-0

Fax +49 7938 81-110

info1@de.ebmpapst.com

www.ebmpapst.com

Limited partnership · Headquarters Mulfingen

Amtsgericht (court of registration) Stuttgart · HRA 590344

General partner Elektrobau Mulfingen GmbH · Headquarters Mulfingen

Amtsgericht (court of registration) Stuttgart · HRB 590142

Nominal data

| | | | |
|-----------------------------|--------------------|------|------|
| Type | R2E225-BE51-13 | | |
| Motor | M2E068-EC | | |
| Phase | | 1~ | 1~ |
| Nominal voltage | VAC | 115 | 115 |
| Frequency | Hz | 60 | 60 |
| Method of obtaining data | | fa | fa |
| Valid for approval/standard | | CE | UL |
| Speed (rpm) | min ⁻¹ | 3000 | 3000 |
| Power consumption | W | 185 | 215 |
| Current draw | A | 1.62 | 1.8 |
| Capacitor | µF | 20 | 20 |
| Capacitor voltage | VDB | 220 | 220 |
| Min. back pressure | Pa | 0 | 0 |
| Min. back pressure | inH ₂ O | 0 | 0 |
| Min. ambient temperature | °C | -25 | -25 |
| Max. ambient temperature | °C | 55 | 55 |
| Starting current | A | 2.75 | |

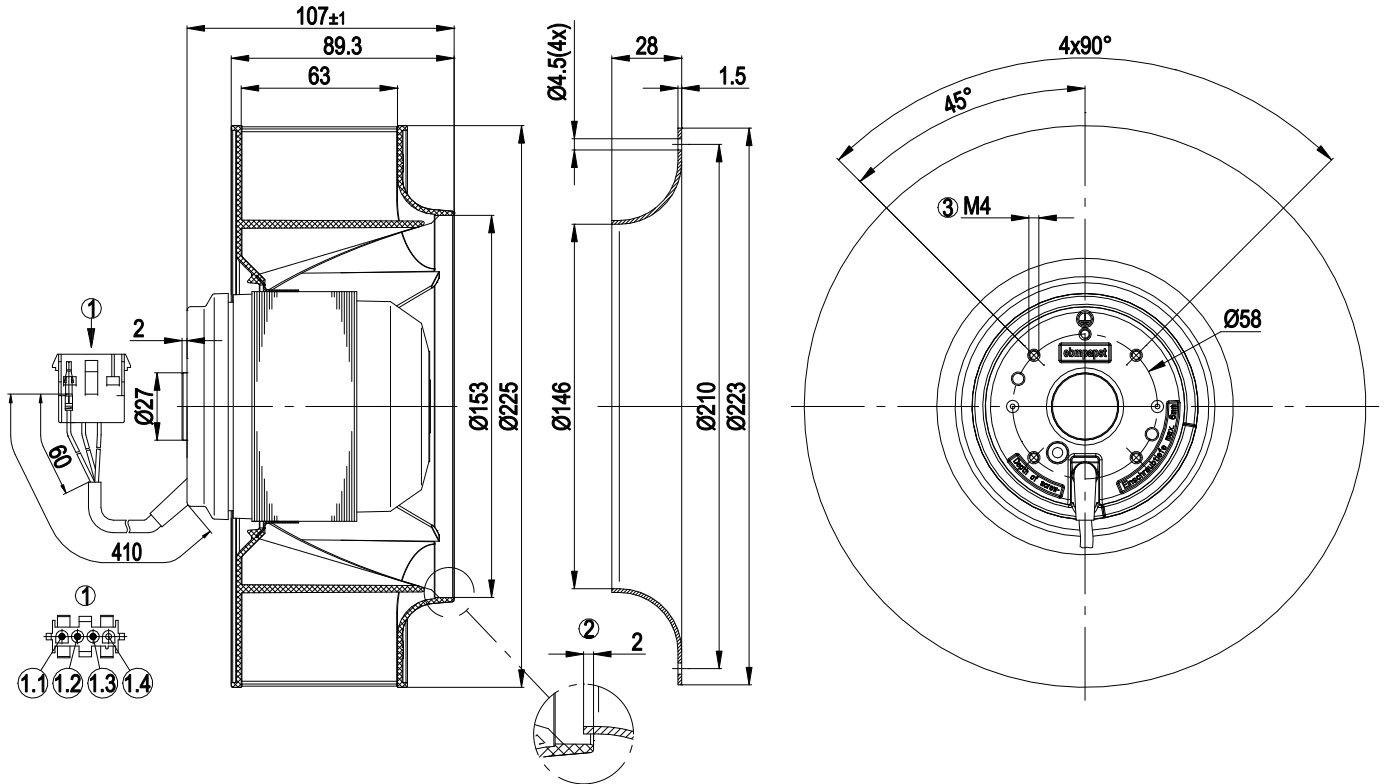
ml = Max. load · me = Max. efficiency · fa = Free air · cs = Customer specification · ce = Customer equipment
Subject to change



Technical description

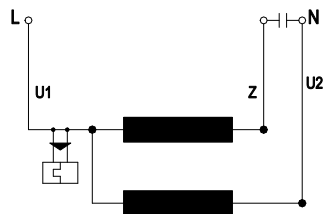
| | |
|--|---|
| Weight | 2.7 kg |
| Fan size | 225 mm |
| Rotor surface | Unpainted |
| Impeller material | PA6 plastic, glass-fiber reinforced |
| Number of blades | 7 |
| Direction of rotation | Clockwise, viewed toward rotor |
| Degree of protection | IP44 |
| Insulation class | "B" |
| Moisture (F) / Environmental (H) protection class | H0 - dry environment |
| Max. permitted ambient temp. for motor (transport/storage) | + 80 °C |
| Min. permitted ambient temp. for motor (transport/storage) | - 40 °C |
| Installation position | Any |
| Condensation drainage holes | None |
| Mode | S1 |
| Motor bearing | Ball bearing |
| Touch current according to IEC 60990 (measuring circuit Fig. 4, TN system) | < 0.75 mA |
| Motor protection | Thermal overload protector (TOP) internally connected |
| With cable | Variable |
| Protection class | I (with customer connection of protective earth) |
| Conformity with standards | EN 60335-1; CE |
| Approval | CCC; UL 2111; CSA C22.2 No. 77 |

Product drawing



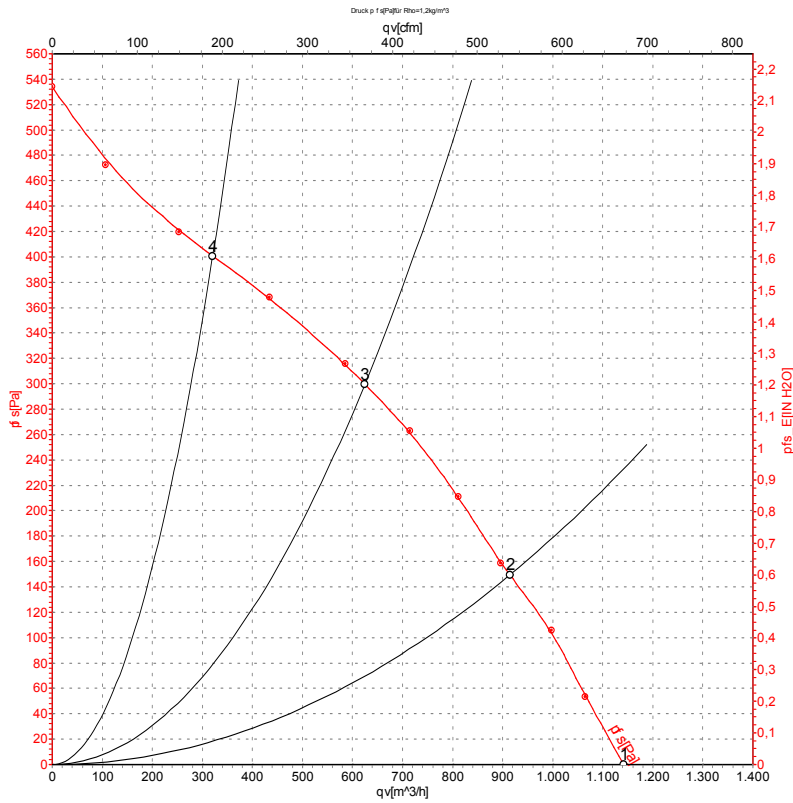
| | |
|-----|--|
| 1 | Cable PVC AWG20, 4-pole connector housing tyco 926305-7, 3x plug pin tyco 926885-1 |
| 1.1 | blue |
| 1.2 | black |
| 1.3 | brown |
| 1.4 | free |
| 2 | Accessory part: Inlet ring 96358-2-4013, not included in scope of delivery |
| 3 | Max. clearance for screw 6 mm |

Connection diagram



| | | | | | |
|----|------|---|-------|----|-------|
| U1 | blue | Z | brown | U2 | black |
|----|------|---|-------|----|-------|

Curves: Air performance 50 Hz



Measurement: LU-53227-1

Air performance measured according to ISO 5801 installation category A. For detailed information on the measurement setup, contact ebm-papst. Intake sound level: Sound power level according to ISO 13347 / sound pressure level measured at 1 m distance from fan axis. The values given are valid under the specified measuring conditions and may vary due to conditions of installation. For deviations from the standard configuration, the parameters have to be checked on the installed unit.

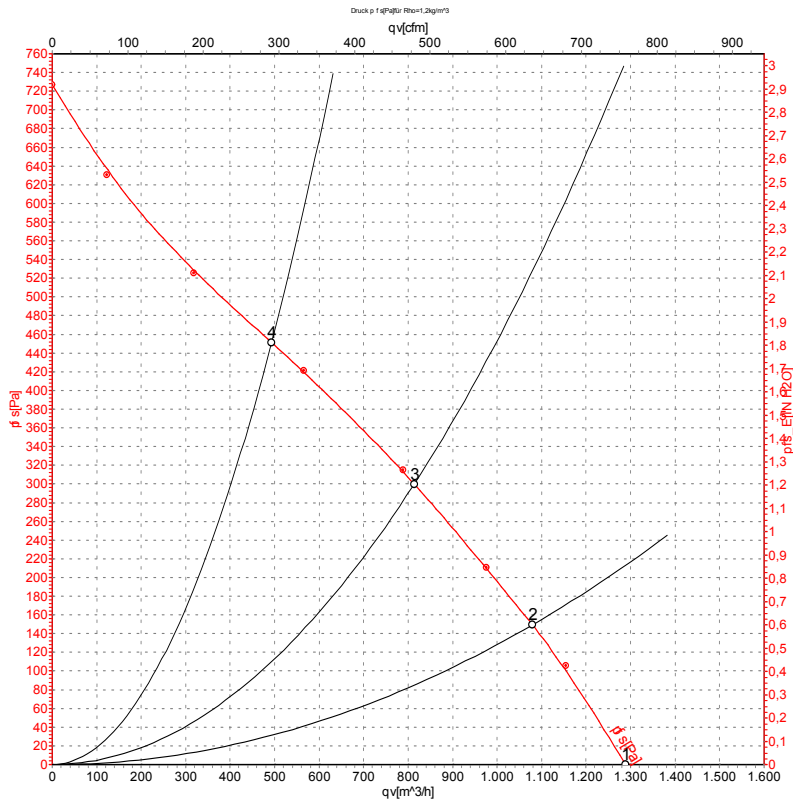
Measured values

| | U | f | n | P _e | I | q _v | p _{fs} | q _v | p _{fs} |
|---|-----|----|-------------------|----------------|------|-------------------|-----------------|----------------|-----------------|
| | V | Hz | min ⁻¹ | W | A | m ³ /h | Pa | cfm | inH2O |
| 1 | 115 | 50 | 2650 | 135 | 1.20 | 1140 | 0 | 670 | 0.00 |
| 2 | 115 | 50 | 2630 | 144 | 1.27 | 915 | 150 | 540 | 0.60 |
| 3 | 115 | 50 | 2590 | 152 | 1.34 | 625 | 300 | 370 | 1.20 |
| 4 | 115 | 50 | 2650 | 140 | 1.24 | 320 | 400 | 190 | 1.61 |

U = Power supply · f = Frequency · n = Speed (rpm) · P_e = Power consumption · I = Current draw · q_v = Air flow · p_{fs} = Pressure increase



Curves: Air performance 60 Hz



Measurement: LU-53226-1

Air performance measured according to ISO 5801 installation category A. For detailed information on the measurement setup, contact ebm-papst. Intake sound level: Sound power level according to ISO 13347 / sound pressure level measured at 1 m distance from fan axis. The values given are valid under the specified measuring conditions and may vary due to conditions of installation. For deviations from the standard configuration, the parameters have to be checked on the installed unit.

Measured values

| | U | f | n | P _e | I | q _v | p _{fs} | q _v | p _{fs} |
|---|-----|----|-------------------|----------------|------|-------------------|-----------------|----------------|--------------------|
| | V | Hz | min ⁻¹ | W | A | m ³ /h | Pa | cfm | inH ₂ O |
| 1 | 115 | 60 | 3000 | 185 | 1.62 | 1290 | 0 | 760 | 0.00 |
| 2 | 115 | 60 | 2925 | 197 | 1.73 | 1080 | 150 | 635 | 0.60 |
| 3 | 115 | 60 | 2865 | 205 | 1.80 | 815 | 300 | 480 | 1.20 |
| 4 | 115 | 60 | 2915 | 198 | 1.74 | 495 | 450 | 290 | 1.81 |

U = Power supply · f = Frequency · n = Speed (rpm) · P_e = Power consumption · I = Current draw · q_v = Air flow · p_{fs} = Pressure increase



Mouser Electronics

Authorized Distributor

Click to View Pricing, Inventory, Delivery & Lifecycle Information:

[ebm-papst:](#)

[R2E225-BE51-13](#)