

# 1400N SERIES

## MOMENTARY PUSHBUTTON SWITCHES - SNAP-IN MOUNTING - SQUARE PLUNGER

### Specifications

#### ELECTRICAL SPECIFICATIONS

- Max. current/voltage rating with resistive load :
  - silver contacts (A) : 3A 250VAC - 5A 125VAC - 6A 12VDC
  - silver plated copper contacts (C) : 2A 250VAC - 4A 125 VAC
- Initial contact resistance : 10 m $\Omega$  at 1A 2VDC
- Insulation resistance : 1.000 M $\Omega$  min. at 500VDC
- Dielectric strength :
  - 1.500 Vrms 50 Hz min. between terminals
  - 2.000 Vrms 50 Hz min. between terminals and metal panel
- Electrical life : 10.000 cycles at full load

#### MATERIALS

- Case : polyamide
- Plunger : polyamide
- Contacts :
  - A : silver
  - C : copper, silver plated

#### GENERAL SPECIFICATIONS

- Panel thickness : 2 mm (.078) max.
- Operating temperature : -20°C to +55°C

K

**Dimensions** : first dimensions are in mm while inches are shown as bracketted numbers.



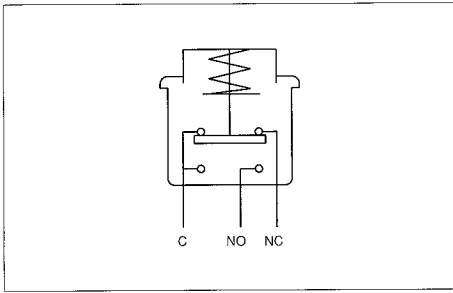
**Packaging unit** : 60 pieces.

# 1400N SERIES

## MOMENTARY PUSHBUTTON SWITCHES - SNAP-IN MOUNTING - SQUARE PLUNGER

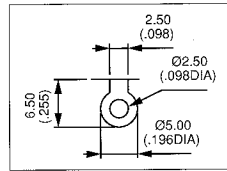
Solder lug, straight PC or quick-connect terminals

MODEL  
STRUCTURE

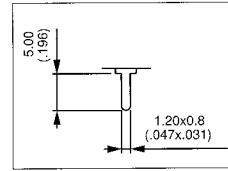


- Butt action contacts, double break
- Single pole configurations

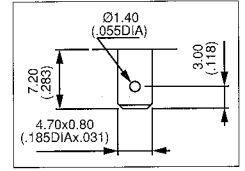
141.N



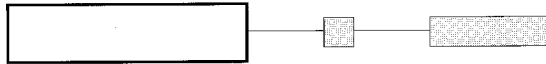
144.N



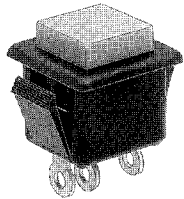
141.N/8



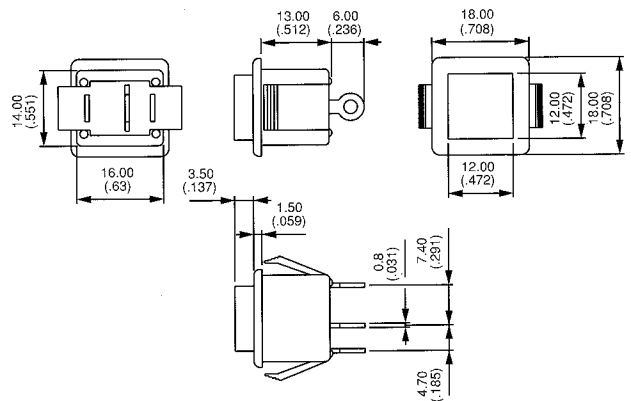
MODEL  
STRUCTURE



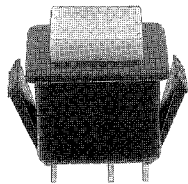
### Solder lug terminals



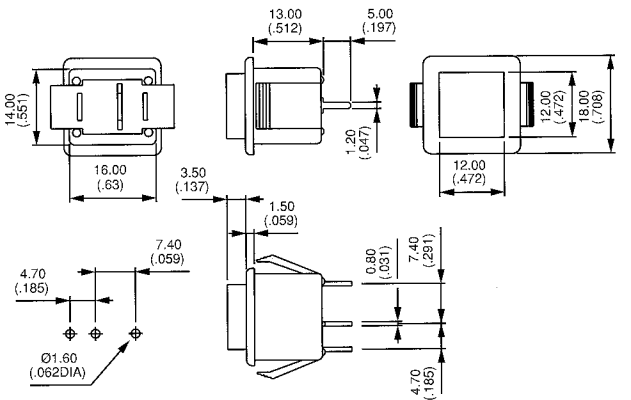
1412N		Normally Closed
1413N		Normally Open
1415N		Changeover



### Straight PC terminals

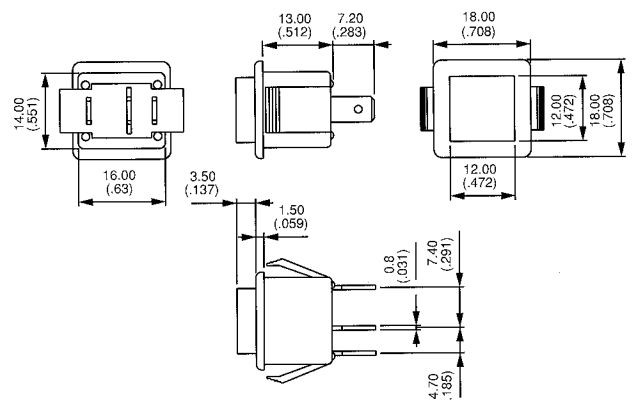


1442N		Normally Closed
1443N		Normally Open
1445N		Changeover



### Quick-connect terminals 4,7 x 0,8 (.185 x .031)

1412N/8		Normally Closed
1413N/8		Normally Open
1415N/8		Changeover



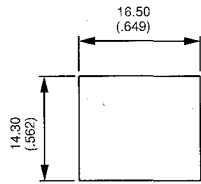
# 1400N SERIES

MOMENTARY PUSHBUTTON SWITCHES - SNAP-IN MOUNTING - SQUARE PLUNGER

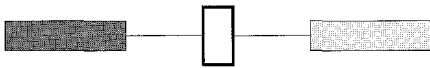
OPTIONS



## PANEL CUT-OUT

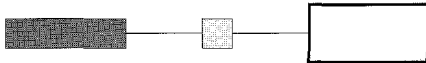


## CONTACT MATERIALS



- A Silver
- C Copper, silver plated

## PLUNGER COLOURS



- 2 Black (standard)
- 3 Green
- 6 Red
- 7 Ivory



Switch frame supplied in black.

K