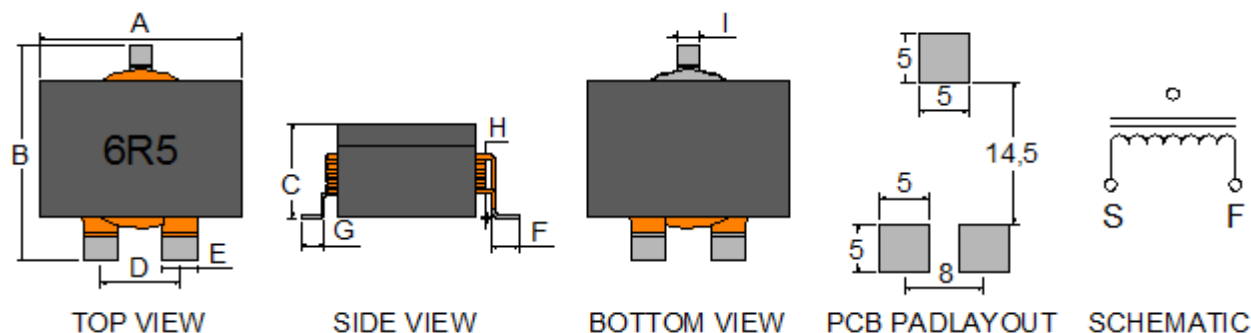


1.Drawing(UNIT:mm)


ITEM	A	B	C	D	E	F	G	H	I	
Standard (mm)	20.50	22.50	9.90	8.00	3.50	3.00	2.00	0.10	2.20	
	MAX	MAX	MAX	±0.5	±0.2	±0.5	±0.5	MIN	±0.3	

2.Electrical Specification(25°C)

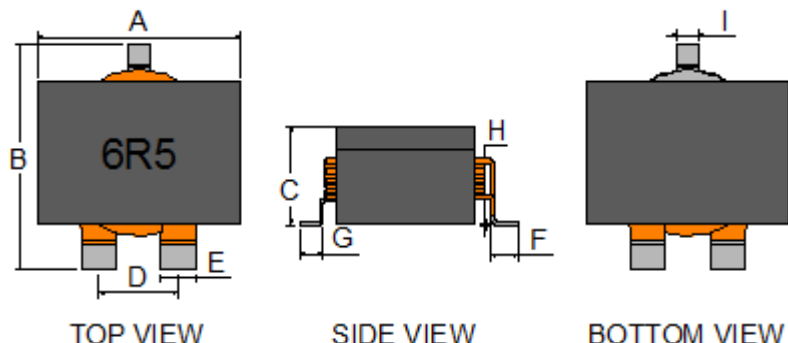
ITEM	Frequency	L(μH)		DCR(mΩ)		Isat (A)		I _{rms} (A)	
Standard	100KHz/1V	6.5	±20%	4.60	MAX	25.0	MAX	20.0	MAX

Saturation Current : Based on the original inductance 30% reduction is the largest

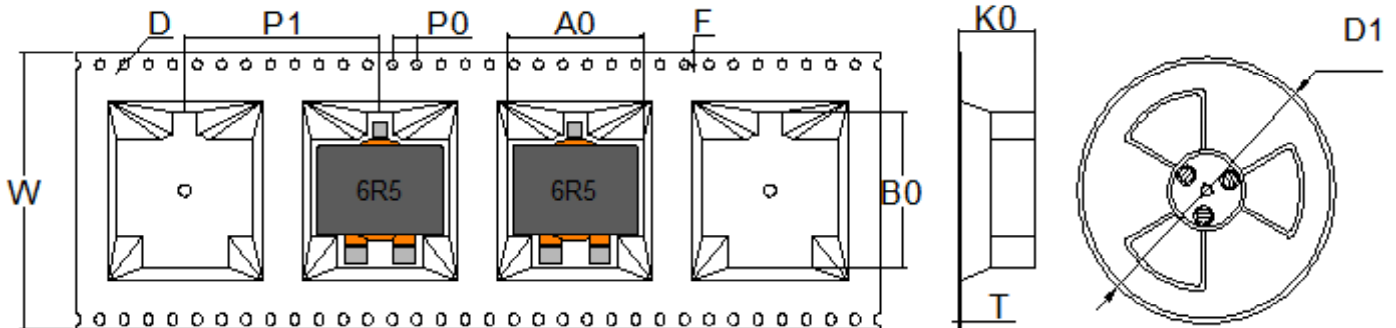
Heat rating Current : Based on the original environment temperature rises 40°C is the largest

3.MATERIAL LIST

NO.	Differentiate	Supplier	Material specifications	UL CODE
1	CORE	JIANUO	EIR20/14/9.6-JNP95-AL102	
2	WIRE	SUNTEK WIRE	0.4*3.5*9.2=7.75TS	E234867
3	PIN	JIEHUI	C2680 0.3*10*16	
4	EPOXY	LIDUO&TIANGKAN	E500HF&G500HF	
5	MARKING	LASER	LASER MARKING	

4.TEST DATA


儀器工具 Instrument	LCR 6379 BIAS 6220			頻率電壓 frequency/Voltage			電流疊加 (A) Current superposition				環境: surroundings		
	HIOKI 3540 數顯卡尺			100KHz/1V			Is	25.00	Ir	20.00	26°C&68%		
項目 ITEM	Ls(uH)	Isat (A)	Drop%	DCR (mΩ)	尺寸 Size (mm)								
		25.00			A	B	C	D	E	F	G	H	I
标准 Standard	6.50 ±20%	≥Ls*70%	30% MAX	7.00 MAX	21.0 MAX	22.5 MAX	7.3 MAX	8.0 ±0.7	3.5 ±0.2	3.0 ±0.5	2.2 ±0.5	0.1 MIN	2.2 ±0.5
1	6.45	6.11	5.27%	4.20	20.16	21.71	9.76	8.05	3.40	2.87	2.21	0.12	2.21
2	6.48	6.14	5.25%	4.20	49.88	22.01	9.71	8.06	3.40	2.85	2.23	0.13	2.23
3	6.48	6.13	5.40%	4.30	20.03	21.84	9.74	8.12	3.42	2.86	2.20	0.12	2.20
4	6.51	6.14	5.68%	4.30	19.96	21.91	9.71	7.96	3.45	2.90	2.20	0.15	2.21
5	6.34	6.09	3.94%	4.20	19.94	21.98	9.67	8.10	3.40	2.86	2.19	0.14	2.23
6	6.39	6.11	4.38%	4.30	19.95	21.97	9.68	8.05	3.40	2.88	2.19	0.12	2.20
7	6.43	6.11	4.98%	4.30	19.95	22.04	9.73	8.06	3.42	2.85	2.18	0.15	2.20
8	6.54	6.22	4.89%	4.20	19.94	22.16	9.75	8.12	3.45	2.86	2.19	0.15	2.20
9	6.50	6.19	4.77%	4.30	19.98	22.03	9.77	7.95	3.46	2.90	2.18	0.12	2.21
10	6.51	6.19	4.92%	4.20	19.99	22.05	9.76	8.16	3.45	2.85	2.20	0.15	2.20
MIN	6.34	4.27	3.94%	4.20	19.94	21.71	9.67	7.95	3.40	2.85	2.18	0.12	2.20
MAX	6.54	6.22	5.68%	4.30	49.88	22.16	9.77	8.16	3.46	2.90	2.23	0.15	2.23
AVE	6.46	6.14	4.95%	4.25	22.98	21.97	9.73	8.06	3.43	2.87	2.20	0.14	2.21

5.PACKAGE


ITEM	W	P1	P0	A0	B0	KO	D	F	T	D1
Standard (mm)	44.00±0.3	32±0.1	4±0.1	21.6±0.1	22.8±0.1	10.0±0.1	1.5±0.05	1.75±0.1	0.5±0.05	330±1.0

- 1: Black carrier tape heating packing, the number of 200pcs per volume, 160mm before and 100mm after the carrier length space.
- 2: sealing membrane on the left 400mm after taping is complete, then wrap a pvc protected.
- 3: one volume wheel or snap volume wheel (snap rolls are subject to hot melt adhesives at the buckle).
- 4: sealing membrane Peel strength requirements:30--120g.
- 5: 2 volume 1pvc bag 400pcs into into 1 carton.

6.IR Profile
