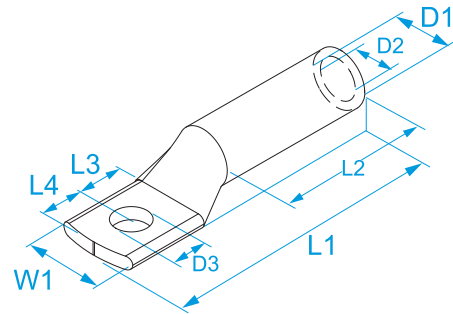


**Product family:** Terminals - Medium Voltage terminals  
**Code:** 73025, 73125, 73035, 73050, 73070, 73095, 73120, 73150, 73200, 73240, 73300, 73400, 73500, 73630  
**Description:** TERMINAL LUGS FOR COPPER CONDUCTORS · UNINSULATED · MEDIUM VOLTAGE

**Image:**

**Technical Drawing:**

**Specifications:**

**TERMINAL MATERIAL:** tinned copper  
**RATED VOLTAGE:** from 1 kV to 35 kV AC  
**OPERATING TEMPERATURE:** from -50 °C to +150 °C  
**CONDUCTOR CLASS:** Class 2 (stranded non compacted circular, compacted circular and shaped conductors) according to EN 60228

Code	Conductor section no compacted circular or shaped (mm <sup>2</sup> )	Circular compacted conductor section (mm <sup>2</sup> )	For screw Ø screw (mm)	For screw Stud size	Indent	W1 (mm)	L1 (mm)	L2 (mm)	L3 (mm)	L4 (mm)	D1 (mm)	D2 (mm)	D3 (mm)	
73025	25	35	8	5/16"	10	16,5	72	37	11	13	10	7	8,4	25/25
73125	25	35	12	1/2"	10	20	76	37	13	16	10	7	13	
73035	35	-	12	1/2"	12	23	76	36	13	16	13	8,4	13	
73050	50	-	12	1/2"	12	20	77	35	17,5	13,5	13	9,5	13	25/25
73070	70	-	12	1/2"	16	27	82	37,5	16	14	18	11,5	13	
73095	95	-	12	1/2"	20	28	86,5	43	16	14	20	13,5	13	
73120	120	150	12	1/2"	22	32	93,5	49,5	16	14	23	15,3	13	
73150	150	160	12	1/2"	22	34	100	49	16	13	23,5	17	13	10/10
73200	185	240	14	9/16"	28	41,5	103	54	18	16	30	20	15	
73240	240	300-315	14	9/16"	28	43	103	53	18	16	30	21,8	15	10/10
73300	300	-	14	9/16"	28	43	120	58	23	19	30	24	15	
73400	400	-	14	9/16"	35	50	131	66	23	19	35	27	15	
73500	500	-	16	5/8"	38	54,5	147	68	22	19	38	30	17	5/5
73630	630	-	16	5/8"	42	61	163	83	25	23	42	33,6	17	