

Datasheet

RS Pro BA9s Filament Indicator Lamp, Clear, 28 V, 100 mA, 1000h

RS Stock No: **360-7828**



Product Details

RS Pro BA9s filament indicator lamp works with currents up to 100 mA and voltages up to 28 V. This clear light delivers 20 lumens of bright output with a lifetime of 1000 hours.

Features and Benefits

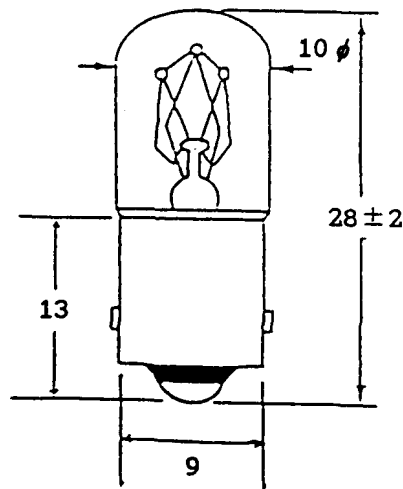
- Clear light
- 20 lumens output
- 1000 hours lifetime



Specifications:

Current Rating	100 mA
Diameter	10 mm
Lamp Base	BA9s
Lamp Size	T10
Length	28 mm
Lens Colour	Clear
Life Hours	1000 h
Luminosity	20.16 lm
Voltage Rating	28 V

DRAWING - I



Unit : mm

1. Structure	Bulb Diameter	10 ± 1mm
	Length	28 ± 2mm
	Base Type	Ba9s/13
2. Design Characteristics	Voltage	28V
	Amperage	100mA ± 10%
	Filament Type	C-2F
		Vacuum type
	MSCP	1.6 CP ± 20%
Life Hours	1000 Hrs	