

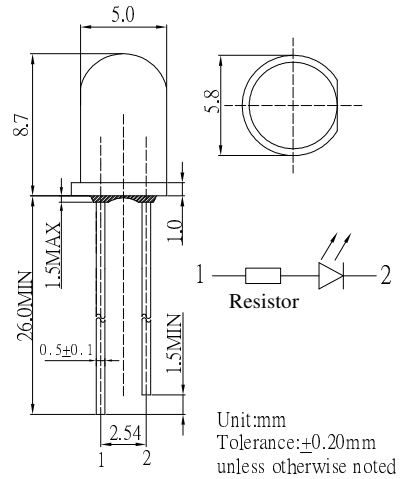
■ **Features**

- High Luminous LEDs
- 5mm Round Standard Directivity
- UV Resistant Epoxy
- Integral Current Limiting Resistor
- TTL Compatible (Requires No External Current Limiter With 12 Volt Supply)
- Cost Effective (Saves Space and Resistor Cost)
- Water clear Type

■ **Applications**

- Status Indicators
- Other Lighting

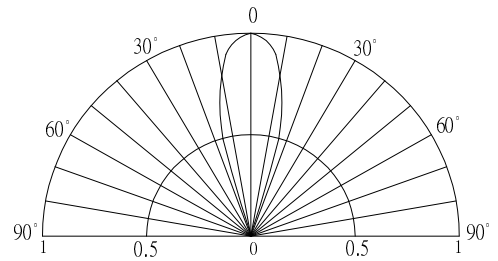
■ **Outline Dimension**



■ **Absolute Maximum Rating** (Ta=25°C)

Item	Symbol	Value	Unit
DC Forward Voltage	V _F	15	V
Reverse Voltage	V _R	5	V
Power Dissipation	P _D	225	mW
Operating Temperature	T _{opr}	-30 ~ +85	°C
Storage Temperature	T _{stg}	-40~ +100	°C
Lead Soldering Temperature	T _{sol}	260°C/5sec	-

■ **Directivity**



■ **Electrical -Optical Characteristics** (Ta=25°C)

Item	Symbol	Condition	Min.	Typ.	Max.	Unit
DC Forward Current*1	I _F	V _F =12V	-	10	15	mA
DC Reverse Current	I _R	V _F =12V	-	-	10	μA
Color Temperature*2	CCT	I _F =20mA	8500	10000	18000	K
Chromaticity Coordinates*3	x	V _F =12V	-	0.27	-	
	y	V _F =12V	-	0.28	-	
Luminous Intensity*4	I _v	V _F =12V	-	15000	-	mcd
50% Power Angle	2θ _{1/2}	V _F =12V	-	30	-	deg

*1 Tolerance of measurements of forward current is ±1mA
 *2 Tolerance of measurements of color temperature is ±10%
 *3 Tolerance of measurements of chromaticity coordinates is ±10%
 *4 Tolerance of measurements of luminous intensity is ±15%