

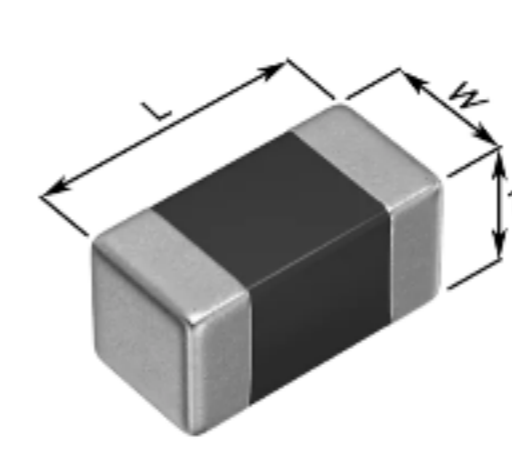
# Chip Beads

- Product Top Page
- Search by Part No.
- Search by Characteristics
- Cross Reference
- Catalog
- Tech Notes
- Technical Support Tools
- FAQ

## MPZ2012S601AT000



Applications	Commercial Grade
Feature	<span style="background-color: green; color: white; padding: 2px;">Power</span> Power line
Series	MPZ
Status	Production



Images are for reference only and show example products.

- Buy Now
- PDF file of this page
- Contact

- Documents
- Catalog
  - RoHS Certificate
  - SVHC / REACH Certificate
  - Product Lineup
  - Selection Guide
  - Sample Kits

- Technical Support Tools
- S-parameter
  - SPICE Netlist (Simple)
  - SPICE Netlist (Precision)
  - Equivalent Circuit Model

### Size

Length(L)	2.00mm ±0.20mm
Width(W)	1.25mm ±0.20mm
Thickness(T)	0.85mm ±0.20mm
Recommended Land Pattern (A)	0.80mm Nom.
Recommended Land Pattern (B)	1.00mm Nom.
Recommended Land Pattern (C)	1.20mm Nom.

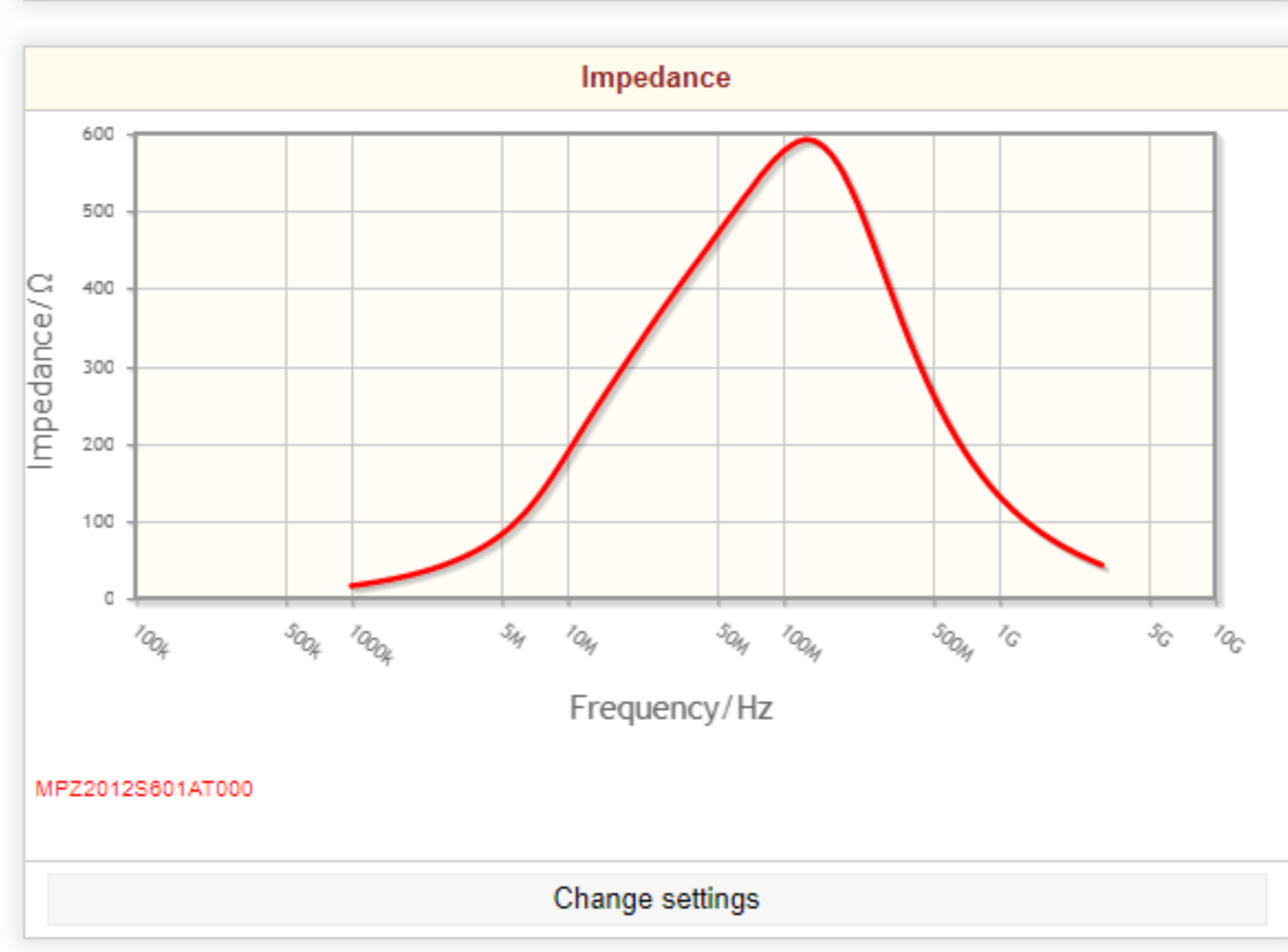
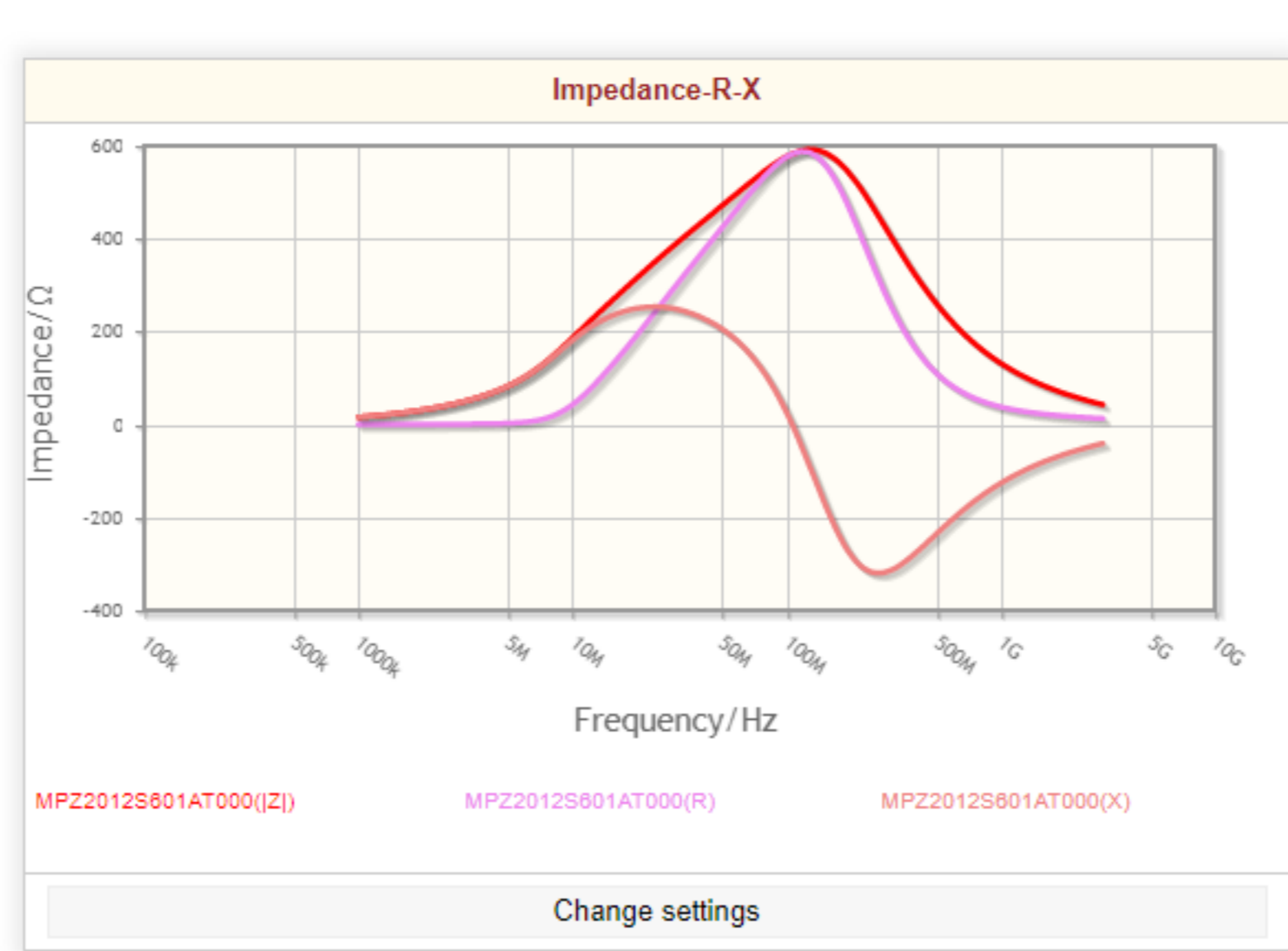
### Electrical Characteristics

Impedance at 100MHz	600Ω ±25%
Rated Current	2A
DC Resistance (Max.)	100mΩ

### Other

Operating Temp. Range (Including Self-Temp. Rise)	-55 to 125°C
Soldering Method	Reflow Iron Soldering
AEC-Q200	NO
Packing	Punched (Paper)Taping [180mm Reel, Tape width 8mm]
Package Quantity	4000pcs
Weight	0.008g

Characteristic Graph (This is reference data, and does not guarantee the products characteristics.)



- > Home
- > Selection Guides
- > Search by Part No.
- > Search by Characteristics
- > Cross Reference
- > Distributor Inventory Check
- > Products
  - > Capacitors
  - > EMC Components
  - > Voltage / Current / Temperature Protection Devices
  - > Ceramic Switching / Heating, Piezo Components, Buzzers and Microphones
  - > Ferrites and Accessories
  - > Anechoic Chambers and Radio Wave Absorbers
  - > Magnets
  - > Wireless Power Transfer
  - > Transparent Conductive Film
  - > Solar Cells
  - > Lithium-Ion Batteries
  - > Application Specific IC (ASIC) Development and Supply
  - > Inductors (Coils)
  - > RF Components and Modules
  - > Sensors and Sensor Systems
  - > Transformer
  - > Noise Suppressing / Magnetic Sheet
  - > Power Supplies
  - > Flash Storages
  - > FA Systems
  - > Micro Modules (Substrates with Built-in ICs, Products Utilizing with SESUB)
  - > HDD Heads
  - > Solid-State Batteries
  - > Biosensors
- > Application Guide
- > Technical Support
- > Tech Library
- > Environment
- > Contact
- > News
- > About TDK
- > TDK Worldwide