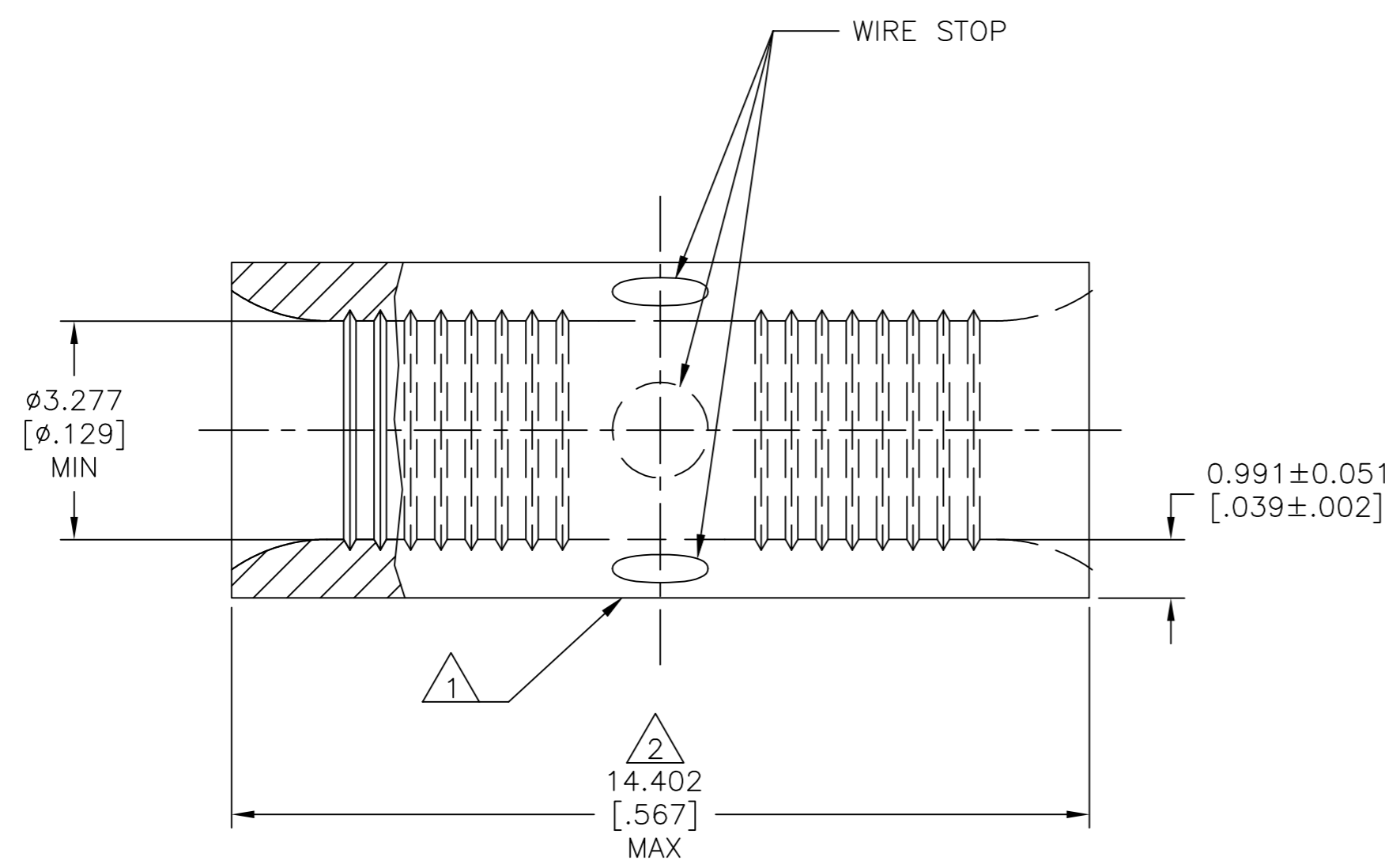
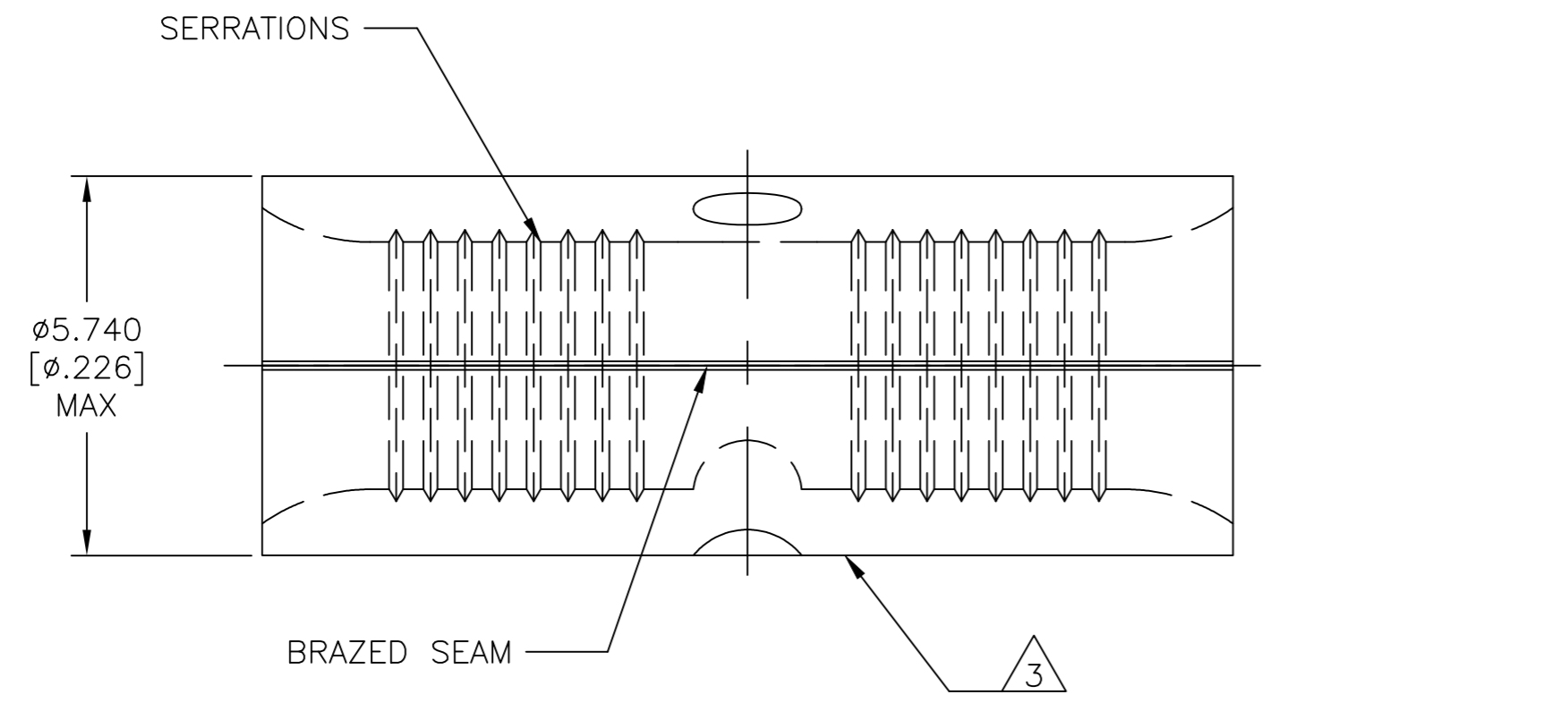


THIS DRAWING IS UNPUBLISHED. RELEASED FOR PUBLICATION
 © COPYRIGHT - TE Connectivity Ltd. ALL RIGHTS RESERVED.

| REVISIONS | | | | | |
|-----------|-----|--------------------------------------|-----------|-----|---------|
| P | LTR | DESCRIPTION | DATE | DWN | APVD |
| D | | REV, RDRW, & SM PKG PER 0720-0061-93 | 4-16-93 | - | 1/8 DAP |
| D1 | | REVISED PER ECO-17-008808 | 01MAR2018 | RS | DR |



| | |
|--------------------------------|---------------------------|
| AMP WIRE RANGE | E13288 Listed |
| 12-10 AWG SOLID OR STRANDED | NOT APPLICABLE |
| SR LR7189 Certified | MILITARY P/N AND CLASS |
| NOT APPLICABLE | NOT APPLICABLE |

- 1 STAMP AMP 12-10 APPROX AS SHOWN
- 2 MAXIMUM LENGTH DOES NOT INCLUDE MANUFACTURING TABS
- 3 WIRE BARREL COLOR CODED ORANGE TO DENOTE NICKEL MATERIAL

| | | |
|----------|--------------|---------|
| 500 | LOOSE PIECE | 323696 |
| QUANTITY | PACKAGE TYPE | PART NO |

| AMP INCORPORATED CUSTOMER SERVICE SYSTEMS | |
|---|--|
| FOR ADDITIONAL PRODUCT INFORMATION OR COPIES OF DRAWINGS AND TECHNICAL DOCUMENTS | PRODUCT INFORMATION CENTER 1-800-522-6752 |
| FOR APPLICATION | TOOLING ASSISTANCE CENTER 1-800-722-1111 |
| TOOLING INFORMATION | 1-800-722-1111 |
| FOR ORDER ENTRY | 1-800-526-5142 |
| MAX RECOMMENDED OPERATING TEMPERATURE: 649°C [1200°F] MAX | |
| VOLTAGE RATING: NOT APPLICABLE | |
| WIRE CROSS SECTIONAL AREA RANGE, 2.62-6.64mm ² [5,180-13,100] CIR MILS SOLID OR STRANDED | |

| | |
|--|--|
| THIS DRAWING IS A CONTROLLED DOCUMENT. | |
| DIMENSIONS: mm [INCHES] | TOLERANCES UNLESS OTHERWISE SPECIFIED: |
| | 0 PLC ± - |
| | 1 PLC ± - |
| | 2 PLC ± - |
| | 3 PLC ± 0.127[.005] |
| 4 PLC ± - | 4 ANGLES ± - |
| MATERIAL NICKEL PER ASTM B-162 ANNEALED | FINISH - |

| | | | | | |
|--------------------------------|----------------------|------------------|---|-----------|------------|
| DWN TA BRINKMAN 4-16-93 | TE Connectivity Ltd. | NAME | SPLICE, BUTT, STANDARD, HIGH TEMPERATURE, STRATO-THERM, 12-10 AWG | | |
| CHK DA PATTERSON 4-16-93 | | PRODUCT SPEC | SIZE | CAGE CODE | DRAWING NO |
| APVD DE MILLER 4-16-93 | | APPLICATION SPEC | A2 | 00779 | C=323696 |
| WEIGHT | | CUSTOMER DRAWING | SCALE | SHEET | REV |
| | | 10:1 | 1 of 1 | D1 | |

Mouser Electronics

Authorized Distributor

Click to View Pricing, Inventory, Delivery & Lifecycle Information:

[TE Connectivity:](#)

[323696](#)