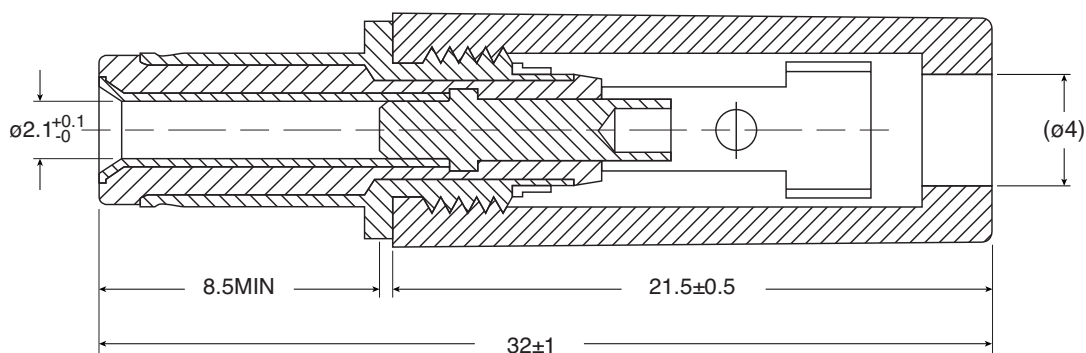
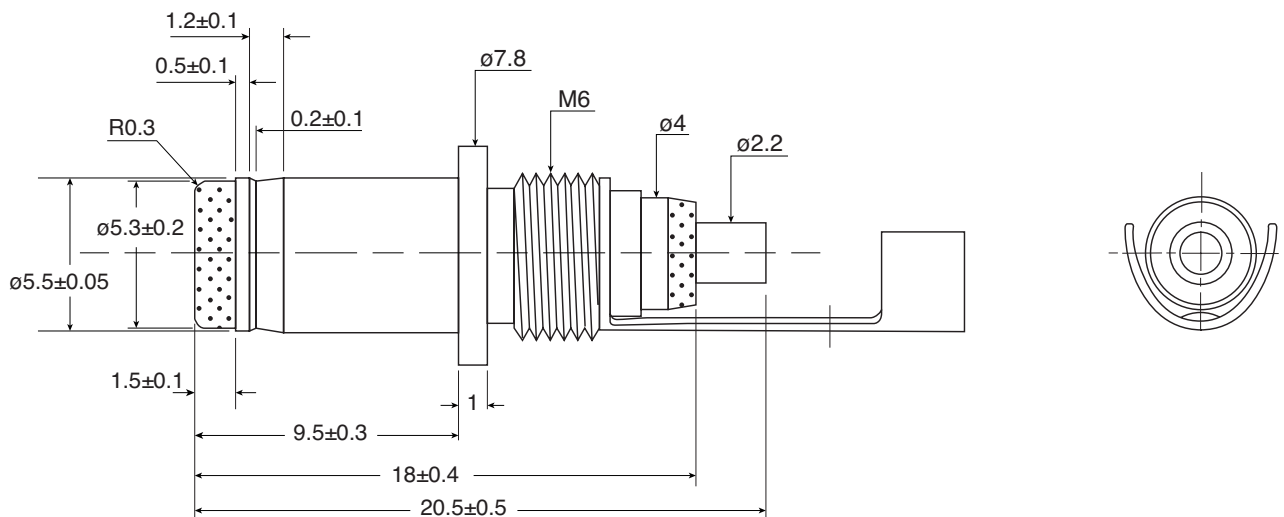


DIMENSIONS: mm



Note: RoHS Compliant by Exemption

Available from Mouser Electronics  
 1-800-346-6873 / [www.mouser.com](http://www.mouser.com)

KC-301417

# Mouser Electronics

Authorized Distributor

Click to View Pricing, Inventory, Delivery & Lifecycle Information:

[Kobiconn:](#)

[171-PA5521B-1-E](#)