

A  
B  
C  
D  
E  
F  
G

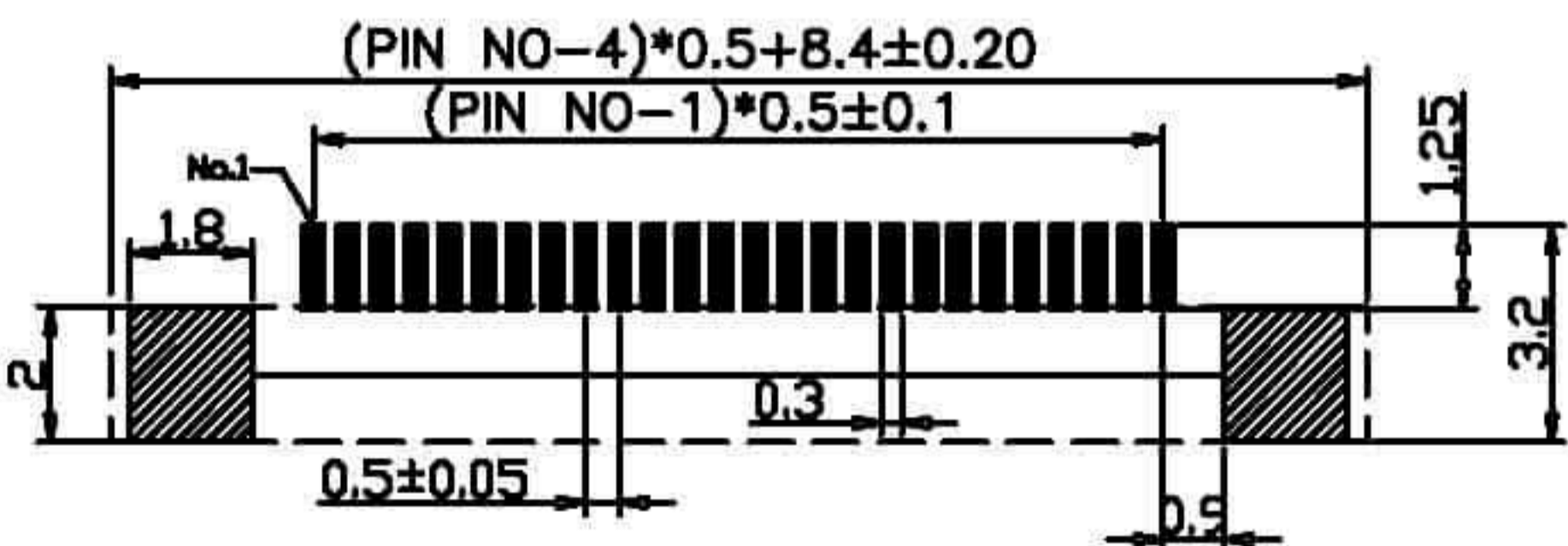
A  
B  
C  
D  
E  
F  
G



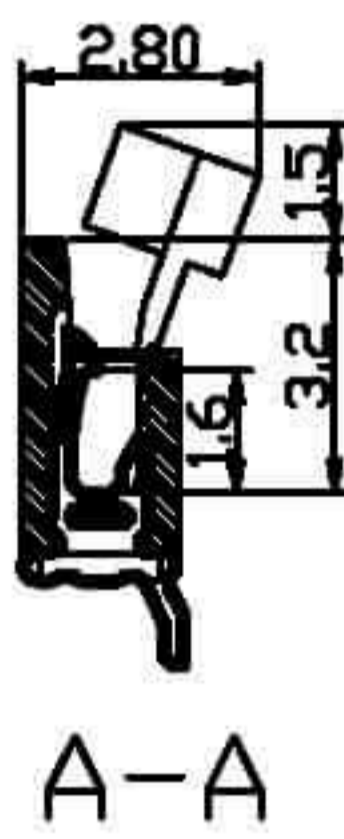
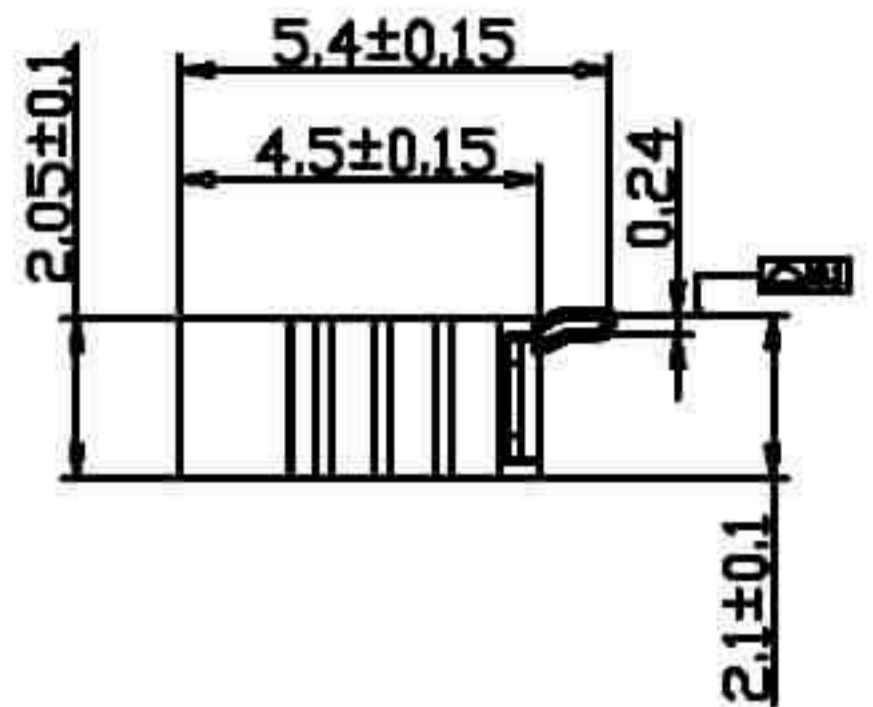
(PIN NO-4)\*0.5+7.7±0.15



(PIN NO-1)\*0.5±0.1  
(PIN NO-4)\*0.5+2.6±0.1

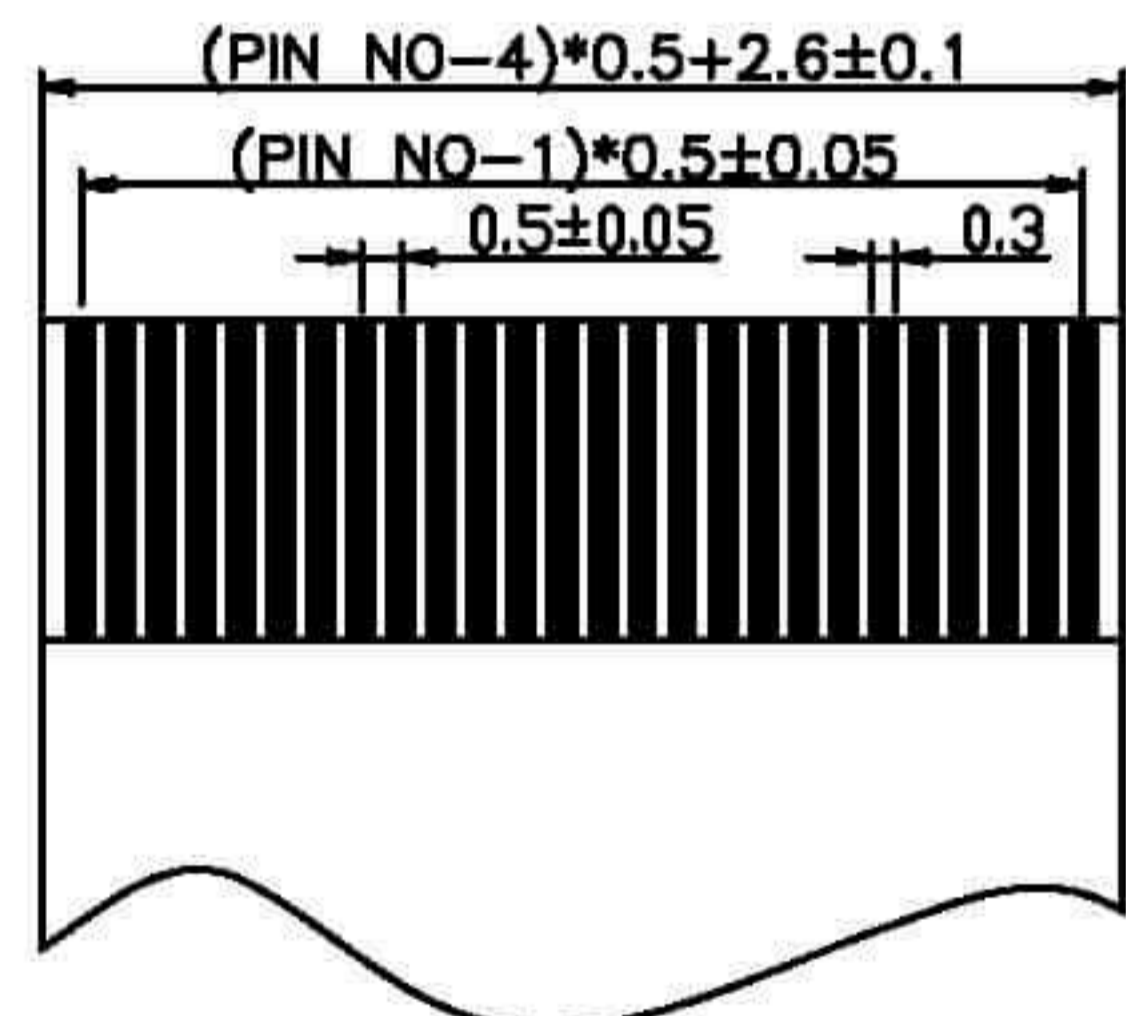


适用线路板  
RECOMMENDED PCB LAYOUT



材料  
MATERIAL  
外壳: 尼龙46 UL94V-0 本色  
Housing: NYlon46 UL94V-0 Grey  
锁扣: PPS UL94V-0 褐色  
Locker: PPS UL94V-0  
接触件: 磷青铜, 表面镀锡合金  
Contact: Phosphor bronze, tin/lead-plated  
焊片: 磷青铜, 表面镀锡合金  
Solder tab: Phosphor bronze, tin/lead-plated

- 1、塑件表面应光滑、无毛刺、明显收边、缺陷、裂纹等现象;
- 2、未注公差按SJ1372-79中7级;
- 3、温度范围: -25°C~85°C;
- 4、额定电压: 50V, AC, DC;
- 5、接触电阻: ≤0.03Ω;
- 6、绝缘电阻: ≥500MΩ;
- 7、耐压: 500V, AC/minute.



适用FPC寸法  
APPLICABLE FPC

					OPERATION	DRAW	CHENA	08/07/12	SCALE	SCONDAR 森康达电子有限公司 SCONDAR ELECTRONIC LIMITED	
					~ 10 ±0.15	DESIGN			UNIT	mm	
					20 ~ 30 ±0.30	CHECK	Micky	08/06/19	SIZE	A4	PART NO.
0	05/12/27	NEW			30 ~ ±0.50	APPROVE	HELLEN	08/07/15	SHEET	1/1	TITLE:
REV	DATE	MODIFICATION DESCRIPTION	CHANGE	APPROVE	Angle ± 2°				PROJ.	◆	DRAWING NO.
					DIM TOL						

100	B	-	NP	B	S
-----	---	---	----	---	---

Pitch: 30, 50, 100, 125

Type: A, B, C, D, E, F, G, H, I

Circuit

X: Bottom Contact Style

S: Top Contact Style

B: Surface Mount

W: Right angle

L: Vertical