

30 MICA

Micromodul™ connectors, pitch 1.27 mm

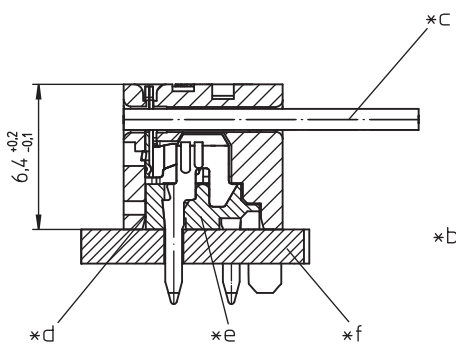
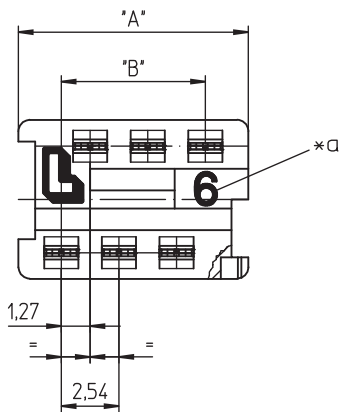
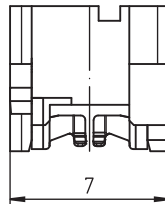
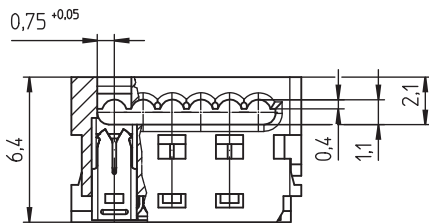


Micromodul™ connector for indirect mating, insulation displacement technology (IDT), with lock, loose

Approvals:



30 MICA



- *a marking: number of poles
- *b connector mated with tab header
- *c flat cable
- *d locking
- *e tab header MICS...
- *f printed circuit board

Environmental conditions

Temperature range -40 °C/+120 °C¹

¹ upper limit temperature (insulating body) RTI (electrical) of the UL Yellow Card


Materials

Insulating body PBT GF, V-0 according to UL94
 Contact spring CuSn, tin-plated – MICA
 CuSn, gold-plated in contact area, tin-plated in insulation
 displacement area – MICA SEL 0,8 AU

Mechanical data

Insertion force/contact ≤ 1.5 N
 Withdrawal force/contact > 0.4 N

Connectable conductors for IDT area


Construction flat cable 1.27 mm LiYV
 Section min. AWG 28 (0.09 mm²)
 Section max. AWG 26 (0.14 mm²)
 Insulation diameter 1.0 mm
 Approved cables at www.lumberg.com 

Electrical data (at T_{amb} 20 °C)

Contact resistance ≤ 10 mΩ
 Rated current 1.2 A
 Rated voltage 32 V AC
 (250 V AC not considering clearances and creepage distances of IEC 60664/DIN EN 60664)¹
 Material group IIIa (IEC)/3 (UL) (CTI ≥ 175)
 Creepage distance 0.54 mm
 Clearance 0.54 mm
 Insulation resistance > 1 GΩ

¹ 32 V AC
 (250 V AC without considering creepage distance and clearance of IEC 60664/DIN EN 60664)

Associated products

Accessories
 AZ30

Harnessing equipment
 HZ-M30  HZ30  KHP30
 PP30  VARICON 1000  VARICON 1000-Eco



30 MICA

Designation	Pole Number	PU (Pieces)	MDQ (Pieces)	Dimensions	
				A (mm)	B (mm)
MICA 04	4	1000	2000	7.59	3.81
MICA 06	6	1000	2000	10.13	6.35
MICA 08	8	1000	2000	12.67	8.89
MICA 10	10	1000	2000	15.21	11.43
MICA 12	12	500	2000	17.75	13.97
MICA 14	14	500	2000	20.29	16.51
MICA 16	16	500	1000	22.83	19.05
MICA 18	18	500	1000	25.37	21.59
MICA 20	20	500	1000	27.91	24.13
MICA 26	26	500	1000	35.53	31.75
MICA 04 SEL0,8 AU	04	1000	2000	7.59	3.81
MICA 06 SEL0,8 AU	06	1000	2000	10.13	6.35
MICA 08 SEL0,8 AU	08	1000	2000	12.67	8.89
MICA 10 SEL0,8 AU	10	1000	2000	15.21	11.43
MICA 12 SEL0,8 AU	12	500	2000	17.75	13.97
MICA 14 SEL0,8 AU	14	500	2000	20.29	16.51
MICA 16 SEL0,8 AU	16	500	2000	22.83	19.05
MICA 18 SEL0,8 AU	18	500	2000	25.37	21.59
MICA 20 SEL0,8 AU	20	500	2000	27.91	24.13
MICA 26 SEL0,8 AU	26	500	2000	35.53	31.75

Packaging:

in bulk, in a cardboard box – in bar stock carriers upon request
on reel see separate item MICA VP3