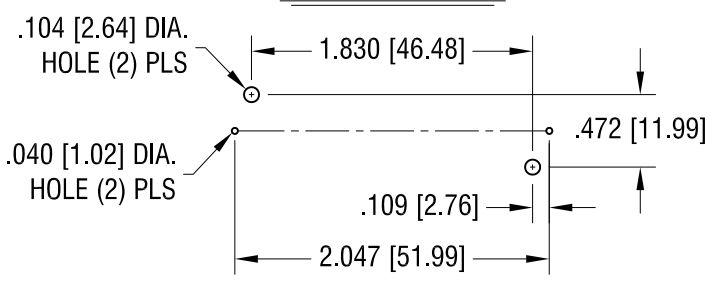
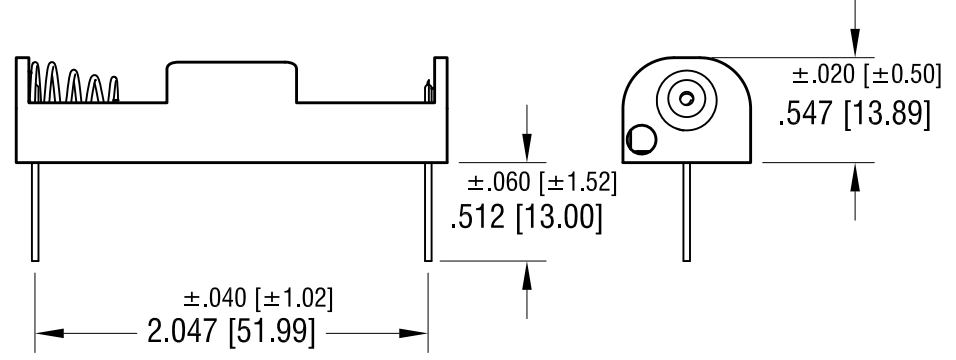
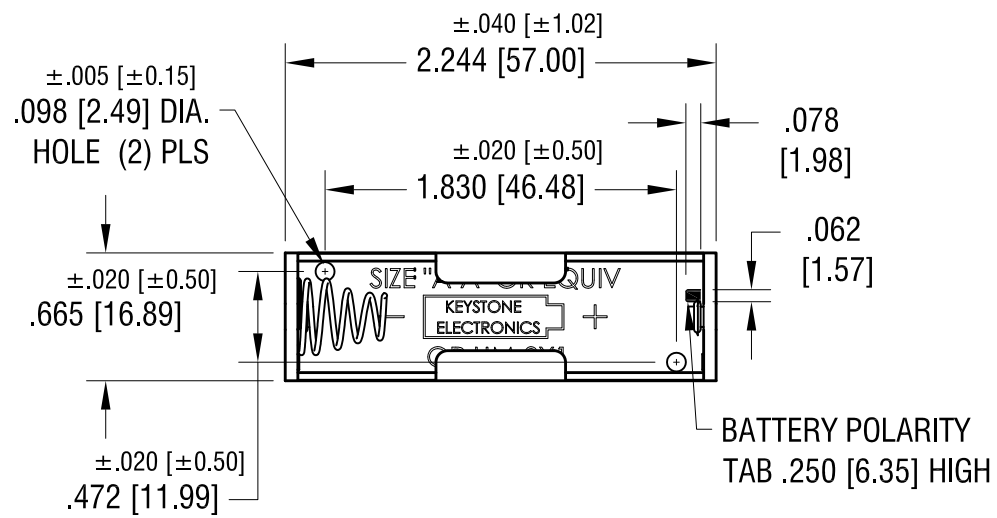
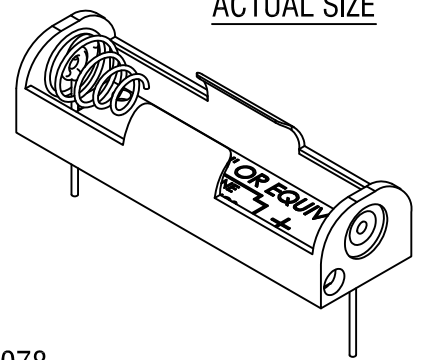


THIS DOCUMENT IS THE PROPERTY OF KEYSTONE ELECTRONICS CORP. AND SHALL NOT BE REPRODUCED, DISTRIBUTED OR USED AS A BASIS FOR MANUFACTURE WITHOUT PRIOR WRITTEN PERMISSION FROM KEYSTONE ELECTRONICS CORP.

MOUNTING DETAIL



ACTUAL SIZE



NOTE:

- 1. HOLDER: MAT'L: POLYPROPYLENE
- SPRING: MAT'L: MUSIC WIRE, .024 [0.60] DIA.
- PC TERMINALS: MAT'L: BRASS, .032 [0.81] DIA.

KEYSTONE ELECTRONICS CORP.			
www.keyelco.com • NEW HYDE PARK, NY 11040 • Tel (516) 328-7500			
PART NAME		PC BATTERY HOLDER (1) 'AA'	
MATERIAL		AS NOTED	
FINISH	NICKEL PLATE	DRN BY	BOONE
		APP'D	LN
		DATE	10.11.95
		SCALE	1X
TOLERANCES	INCH [MM]	CODE	DWG NO.
DECIMAL	±.010 [±.025]	C	2460
ANGULAR	± 1°		
UNLESS OTHERWISE SPECIFIED			

11.8.05	CHANGE AS PER ECN 05-078	B
DATE	DESCRIPTION	REV.

Mouser Electronics

Authorized Distributor

Click to View Pricing, Inventory, Delivery & Lifecycle Information:

[Keystone Electronics:](#)

[2460](#)