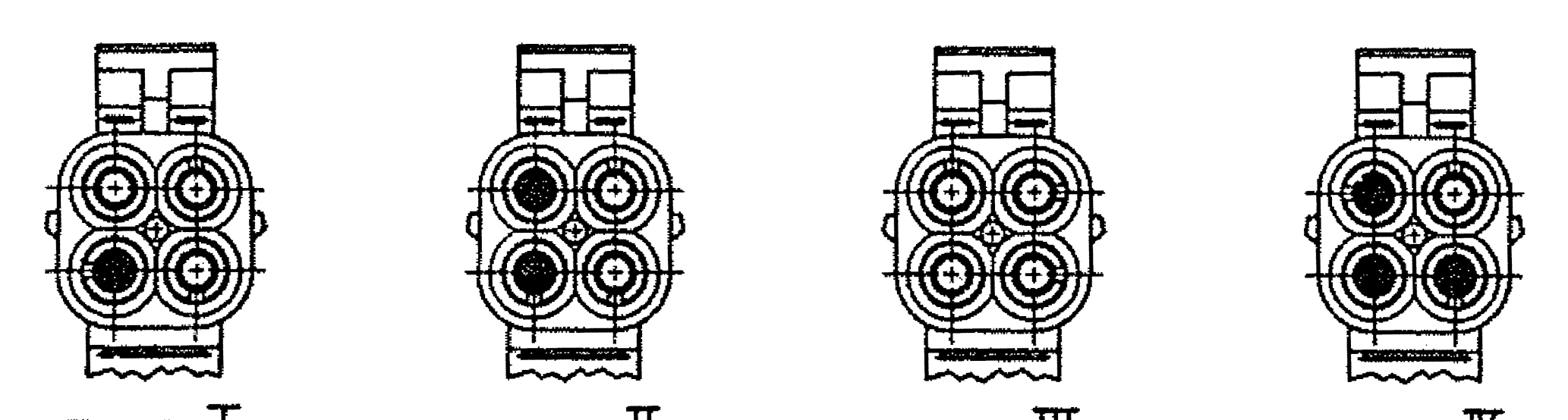
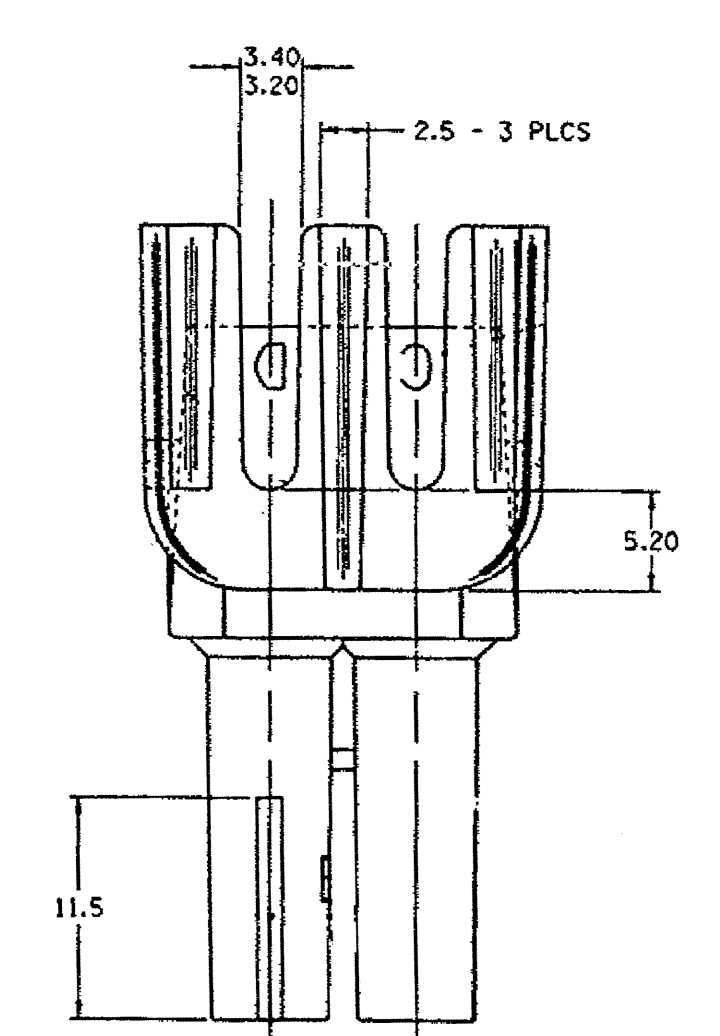
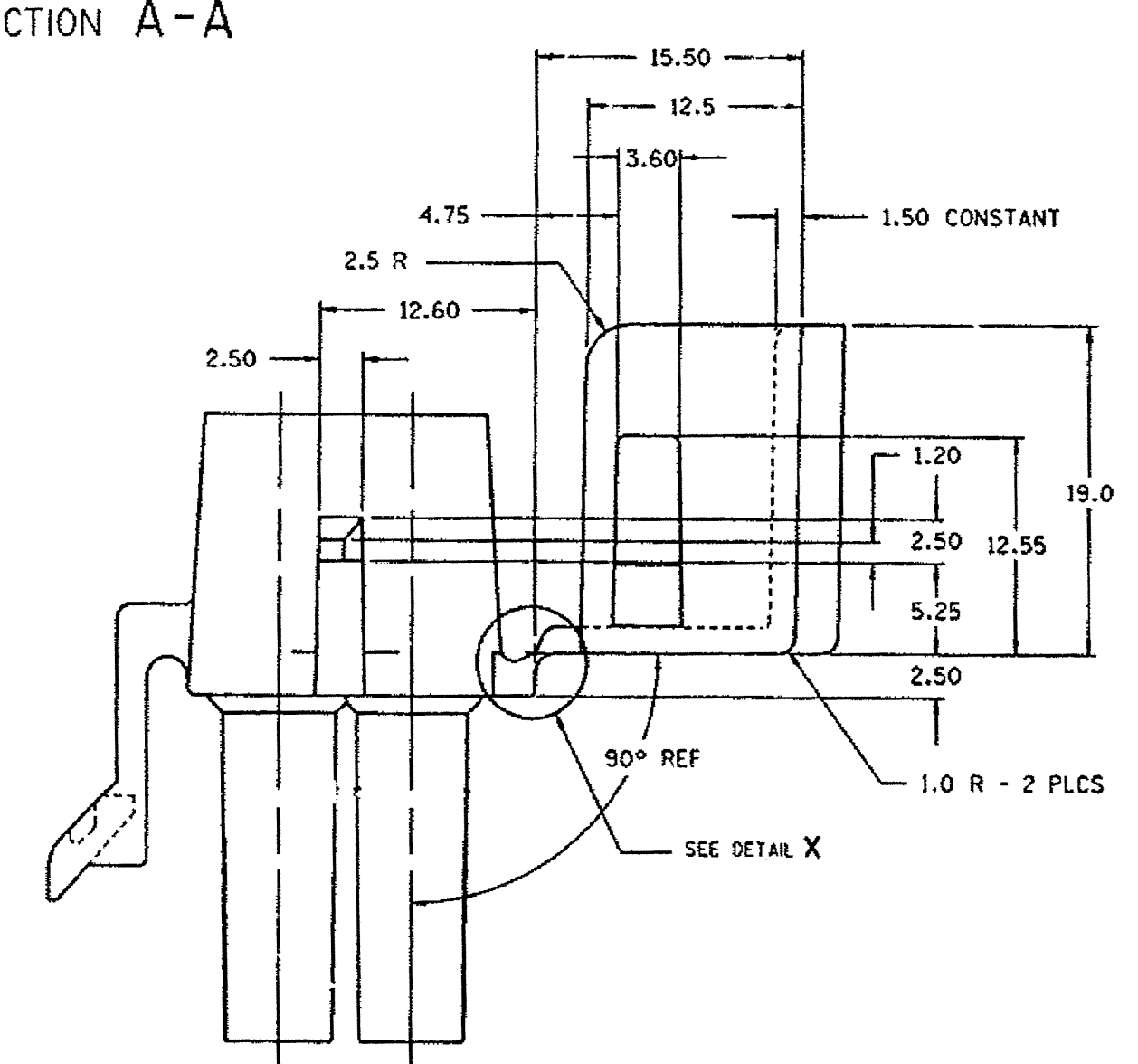
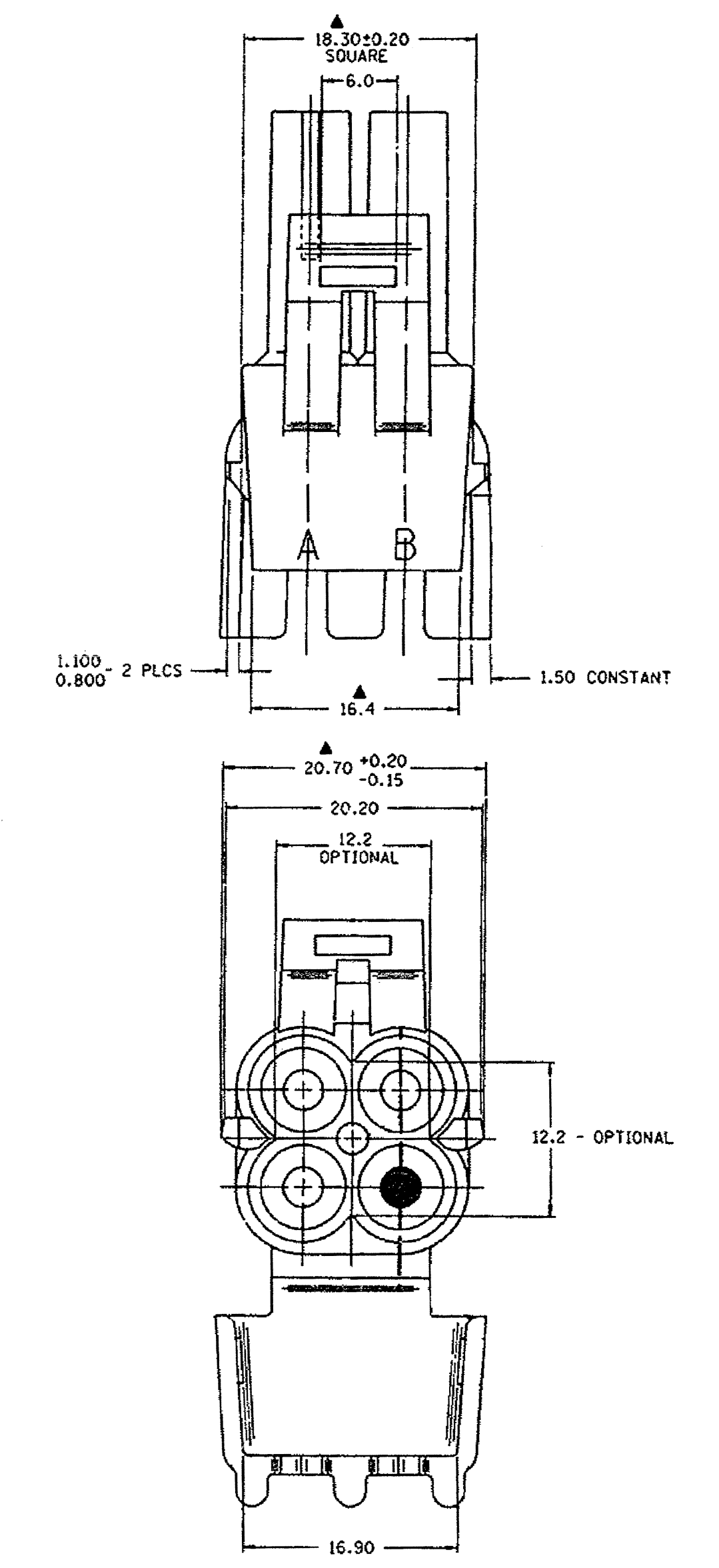
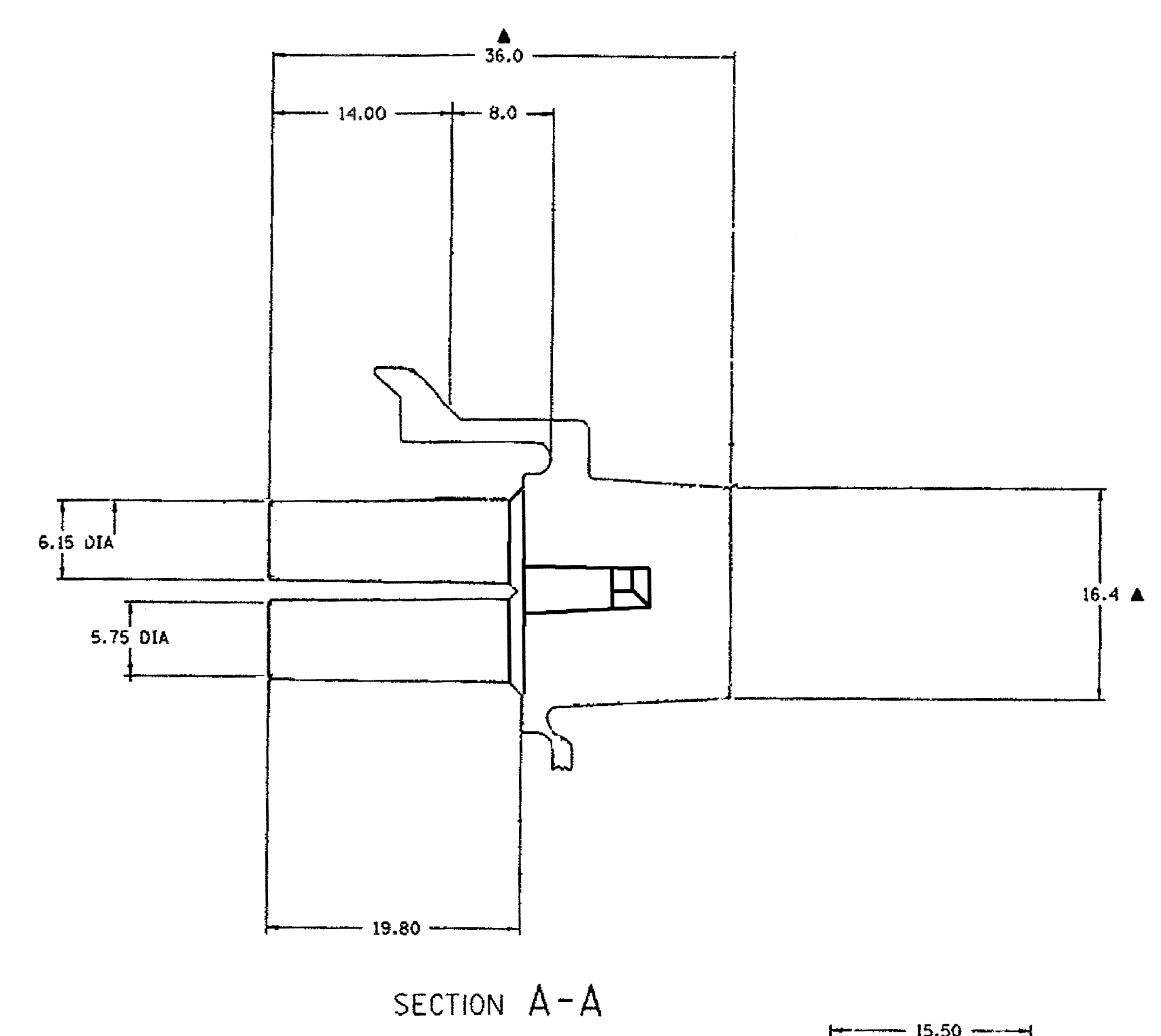
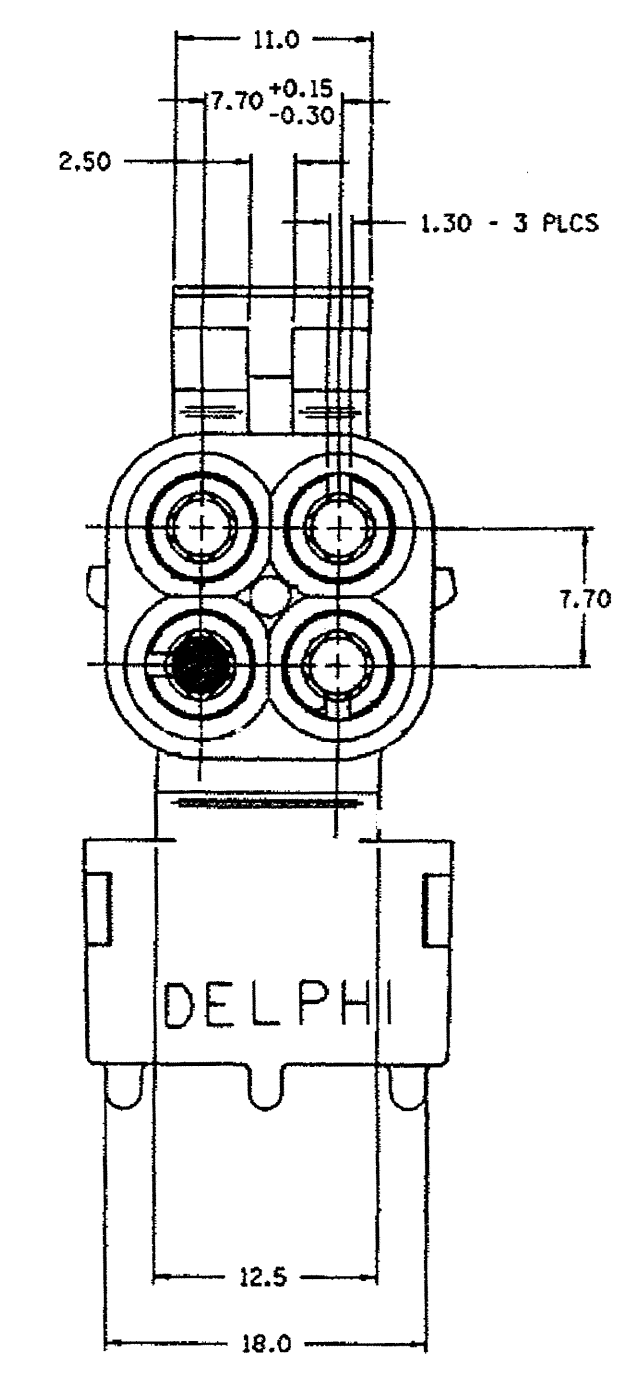


DWG STATUS				ZONE	REVISION HISTORY		AUTH	DR	APVD	APD	
DATE	STG	REV	N/P	CHG							
11FE02	R	04	-	-		CREATED PD		219873	ESF	ESF	RC
11AP02	R	05	-	-		ALL PARTS - UPDATED PDM ATTRIBUTES		222074	ESF	ESF	RC
11JA05	R	06	-	-		1210341B, 1201578B - CHGD TYPE !!! TO TYPE !!!		263204	MJM	MJM	ET



INDEX CODES ALSO SEE HANDBOOK

TYPE I INDEX CODE -0134-

TYPE II INDEX CODE -0133-

TYPE III INDEX CODE -1220-

TYPE IV INDEX CODE -4130-

NOTES

- UNLESS OTHERWISE SPECIFIED AND/OR INDICATED: DIMENSIONS ARE TO FACE OF VIEW SHOWN.
- MATERIAL RECYCLING CODE PER SAE J1344. (2,3)X(0.1) RAISED CHARACTERS AS SHOWN TO BE LOCATED ON ANY EXTERIOR SURFACE. OPTIONAL CONSTRUCTION TO BE "PED" OR NO LOGO.
- THIS PART IS CONTROLLED FOR AUTOMATIC FEEDING AS DENOTED ON DRAWING WITH ▲.
- (2,3)X(0.1) RAISED DELPHI CORPORATE BRAND TO BE LOCATED ON ANY EXTERIOR SURFACE, PREFERABLY VISIBLE AT FINAL ASSEMBLY. OPTIONAL CONSTRUCTION TO BE "PED" OR NO LOGO.
- USE 12015323 CABLE SEAL OR EQUIVALENT.
- INTERNAL CAVITY DIMENSIONS DO NOT HAVE TO BE INSPECTED IF THE CAVITY IS FLASHED OVER.
- USE FEMALE TERMINAL 12089188 OR EQUIVALENT FOR "IN LINE" APPLICATIONS. USE MALE TERMINAL 12089040 OR EQUIVALENT FOR "PANEL MOUNT" APPLICATIONS.

TOLERANCE UNLESS OTHERWISE SPECIFIED

DECIMAL: ONE PLACE ±.3 TWO PLACE ±.15

ANGULAR ±2°

DWG TYPE		PART DRAWING	
STYLE	DISTR CODE		
VOLUME (OMP)	D		
UNLESS OTHERWISE SPECIFIED			
THIS DOCUMENT IS IN ACCORDANCE WITH ASME Y14.5M-1994 AS ISSUED BY THE ASME GLOBAL DIMENSIONING AND TOLERANCING HANDBOOK - 1997. ALL GEOMETRIC TOLERANCES AND RELATED DATUMS APPLY. RULE #11 (FIRST FORM BY MNC) DOES NOT APPLY WHEN RELATIONSHIP BETWEEN FEATURES IS ESTABLISHED BY ORIENTATION OR LOCATION TOLERANCES. SEPARATE POSITION CALLOUTS MAY BE GAGED SEPARATELY, IRRESPECTIVE OF DATUM REFERENCES.			
REFERENCE	THIRD ANGLE PROJECTION		
	DO NOT SCALE		USE MATH DATA

DELPHI
DELPHI PACKARD ELECTRIC SYSTEMS
ANNON, OH

DR	DATE		
APV01 E. SALAZAR	11FE02		
APV02 E. SALAZAR	11FE02		
APV03 R. CORZAS	11FE02		
APV04			
APV05			
SUBSTANCES OF CONCERN AND RECYCLED CONTENT PER DELPHI 12049001			
MATERIAL SEE CHART			
DRAWING NAME TAXI CONN W/P TWR			
DRAWING NUMBER 12015717			
SCALE	FRAME NO	SHEET NO	STG REV N/P
A0	N/A	1 OF 1	1 OF 1 R 06

PART NO	REV	N/P	STATUS	MATERIAL SPEC AND COLOR	STANDARD DESCRIPTION	APPLICATION	REFERENCE TERMINAL / GENDER	TYPE	NUMBER OF CAVITIES	A+0.3 -0.15	B	MATING PART	ASM PART NUMBER
12103418	09	AA	-	M3596003 MD GRA	CONN 4 W/P TWR	DEVICE	12089040 / MALE	III	4	5.50	3.150 +/-	12015027	12013419
12020221	09	-	-	M3596021 GRN	CONN 4 W/P TWR	DEVICE	12089040 / MALE	IV	1	5.50	3.300/3.100	12015026	12020232
12015788	09	AA	-	M3596002 BLK	CONN 4 W/P TWR	DEVICE	12089188 / FEMALE	III	4	11.25	3.300/3.100	12015024	12015798
12015266	09	-	-	M3596008 BLU	CONN 4 W/P TWR	DEVICE	12089040 / MALE	II	2	5.50	3.300/3.100	12015481	12015390
12015051	09	-	-	M3596011 WHT	CONN 4 W/P TWR	DEVICE	12089040 / MALE	I	3	5.50	3.300/3.100	12015026	12010503
12015023	H	-	OBSOLETE	M2019001 BLK	-	-	-	II	4	-	-	12015024	-

Mouser Electronics

Authorized Distributor

Click to View Pricing, Inventory, Delivery & Lifecycle Information:

[Aptiv:](#)

[12010503](#) [12015390](#) [12015788](#)