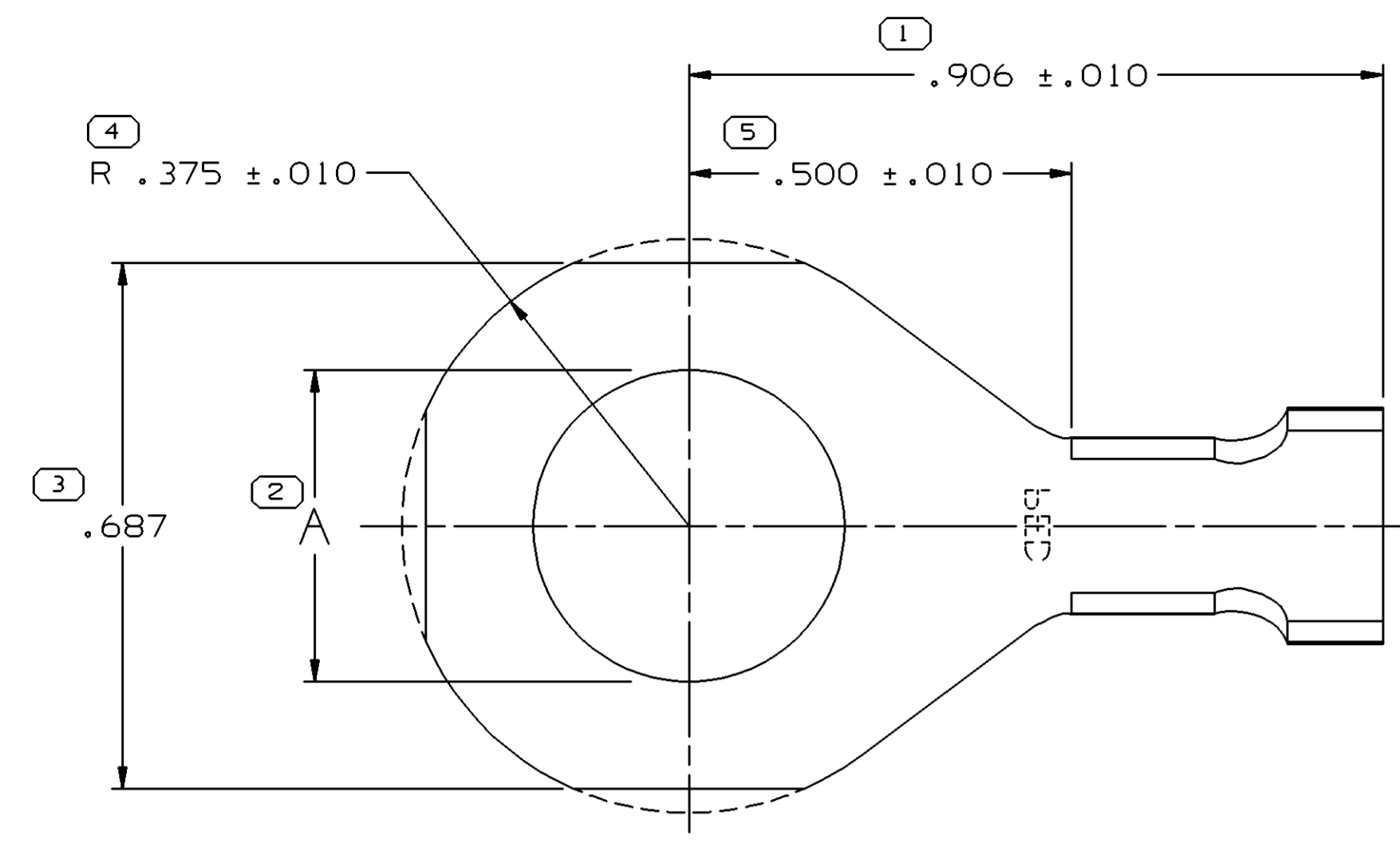
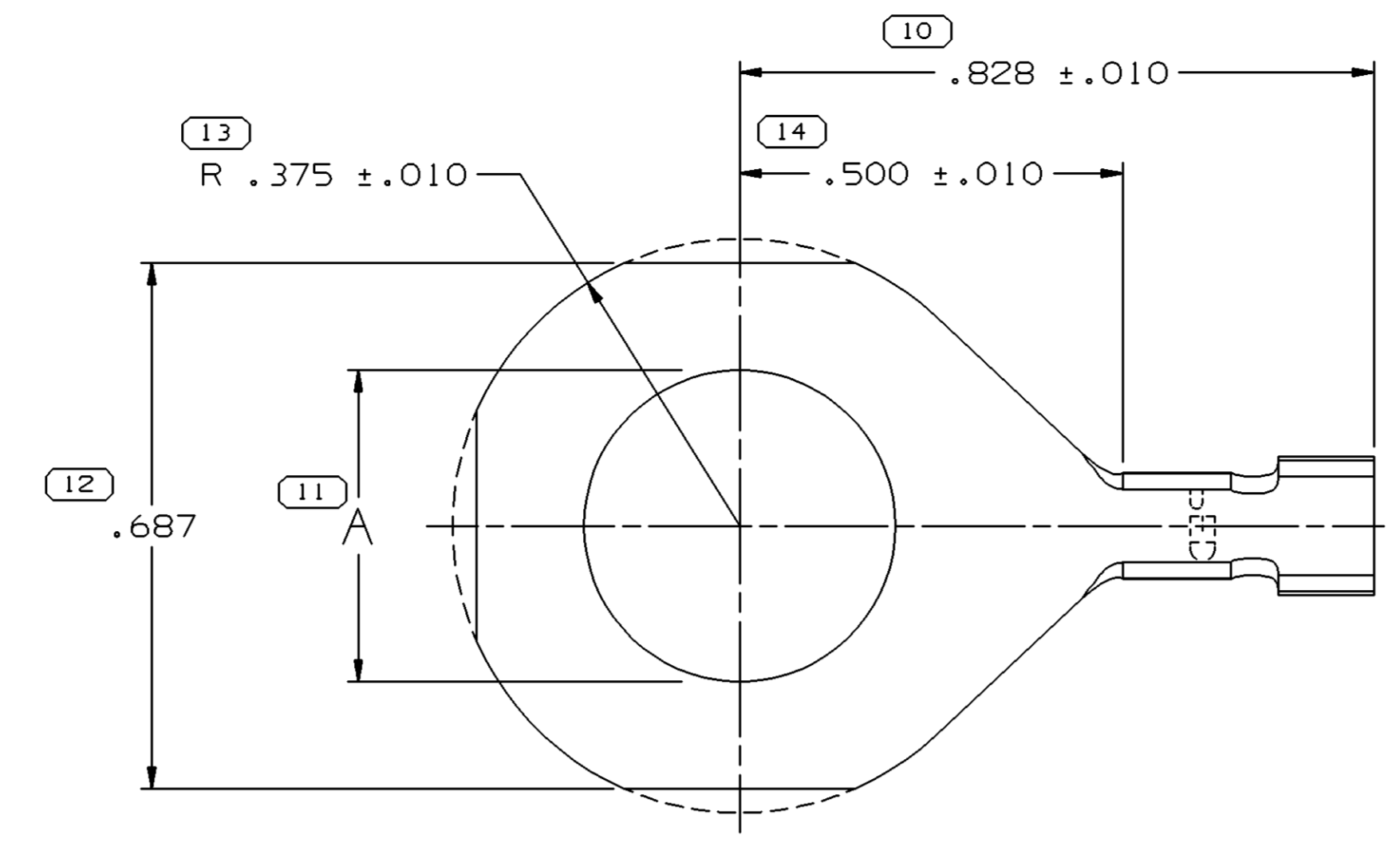


SYMBOL DEFINITION		MISSING SYMBOLS	
A DIMENSION WITHOUT AN INSPECTION REPORT SYMBOL DOES NOT REQUIRE INSPECTION. IT MAY BE CONTROLLED ON THE INDIVIDUAL COMPONENT DRAWING.	TOTAL NO OF INSPECTIONS REQUIRED	NO MISSING SYMBOL NUMBER	
	32		
	LAST NO. USED		
	32		

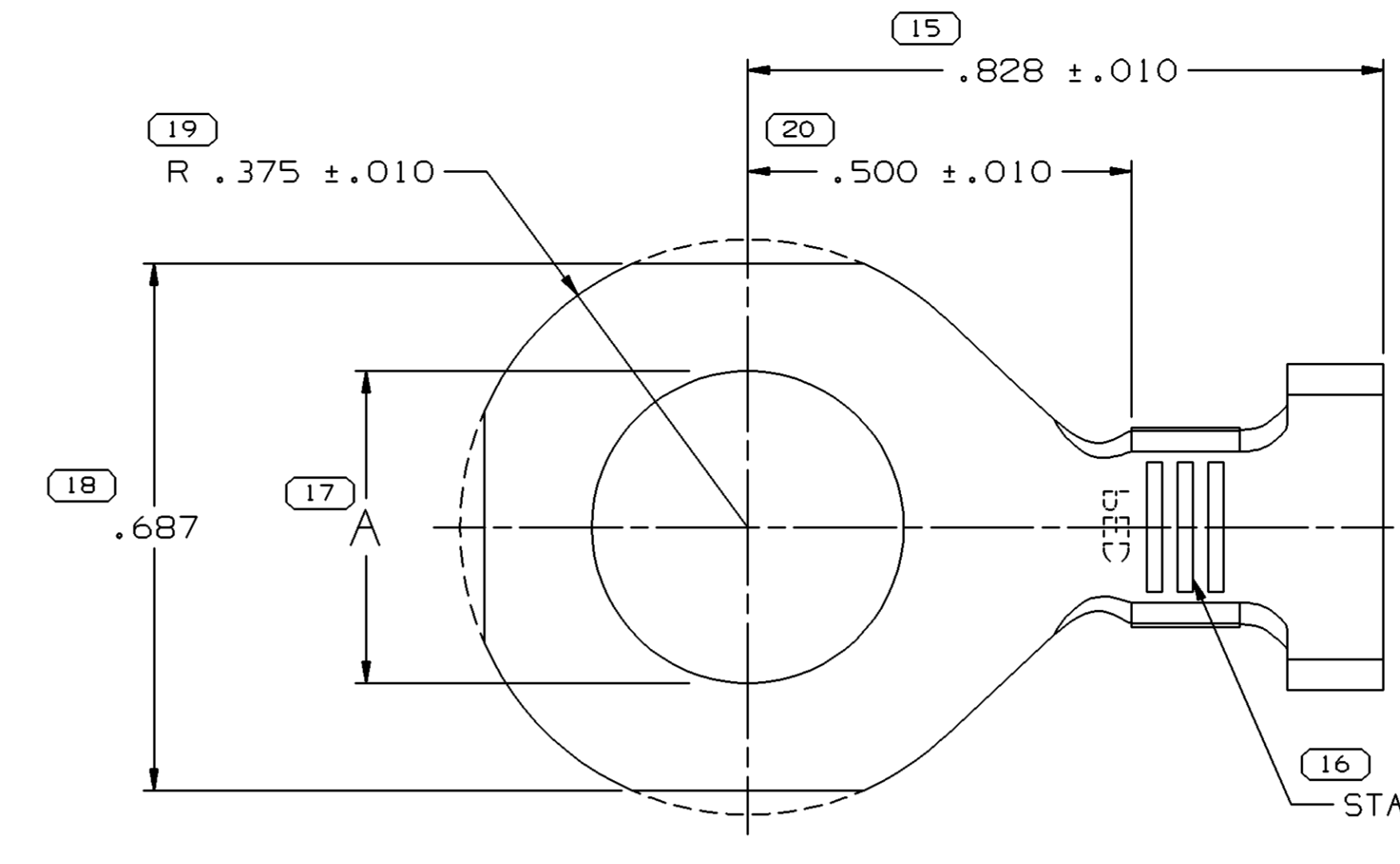
DWO STATUS				REVISION HISTORY				AUTH	DR	APVD
DATE	STG	REV	N/P	CHG	ZONE					
15MR04	R	06	-	-				252884	JVM	JVM
16JUL04	R	07	-	-				256676	ESH	FRG
26AUG04	R	08	-	-				257914	ADK	ADK



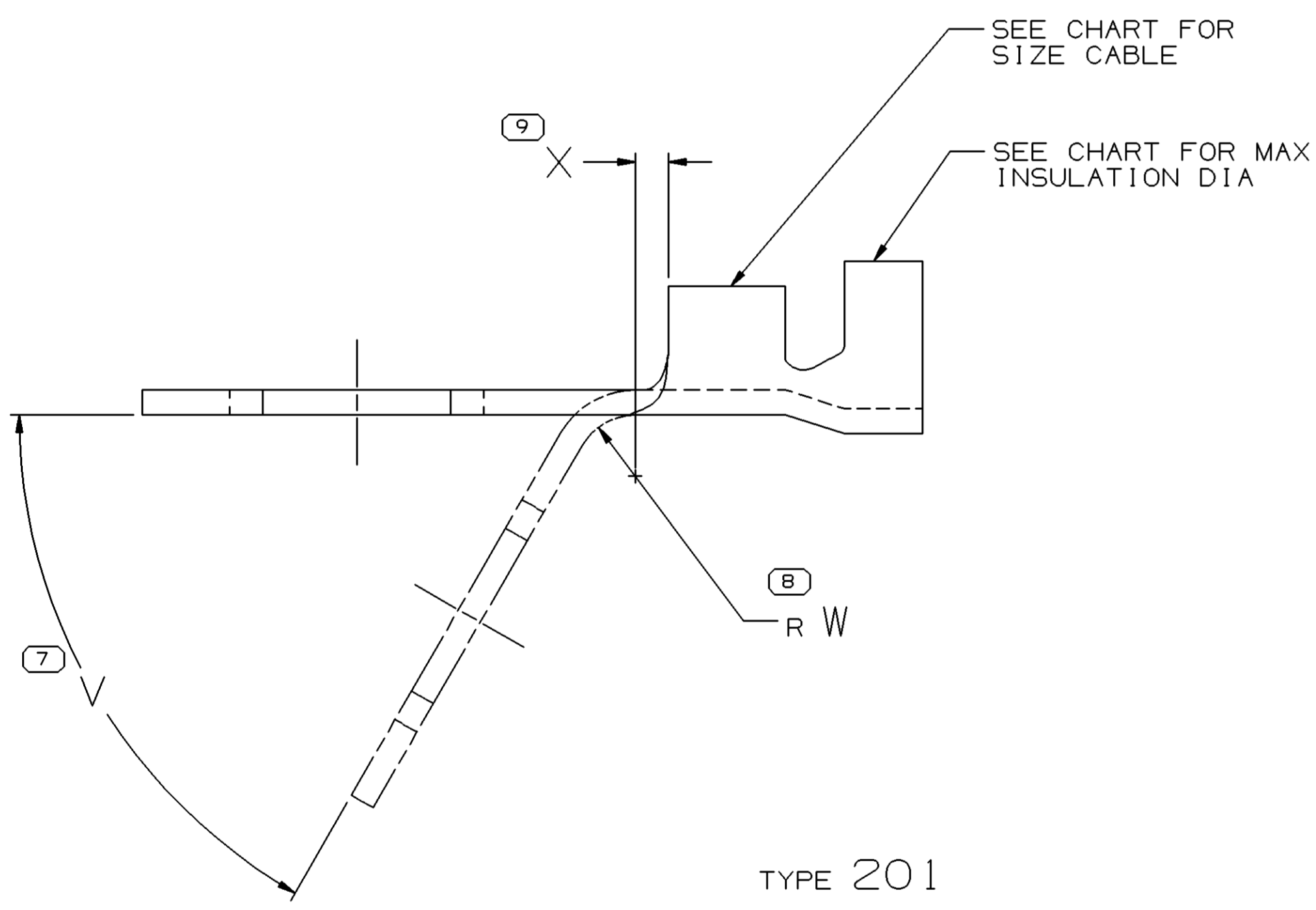
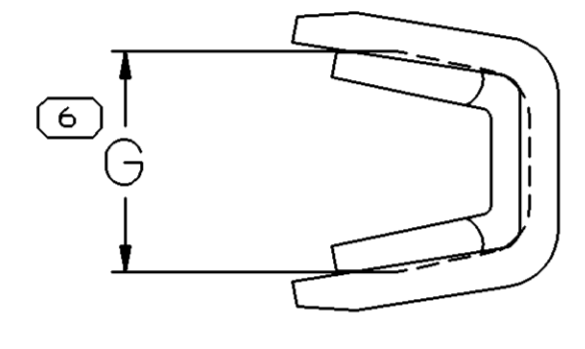
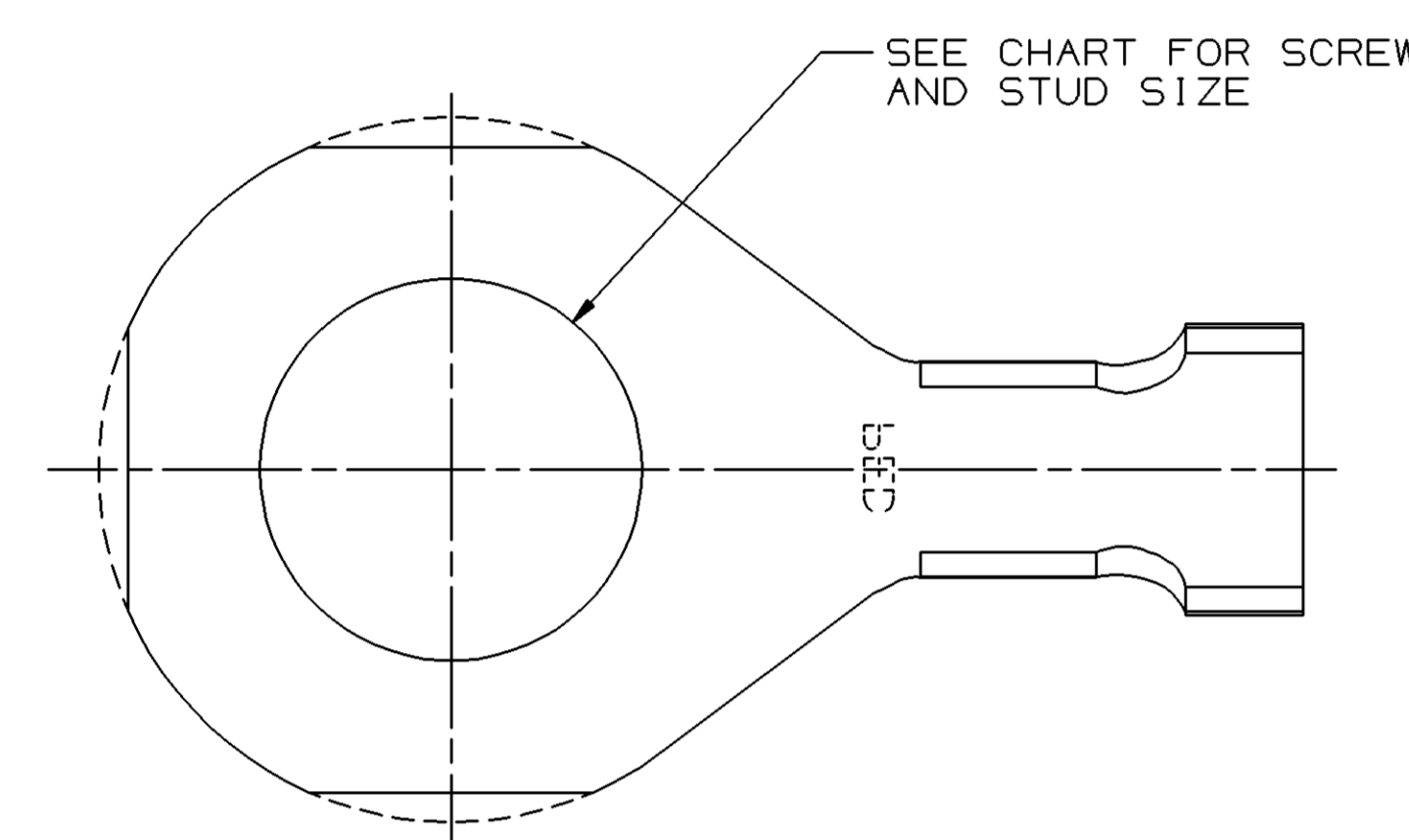
TYPE 201



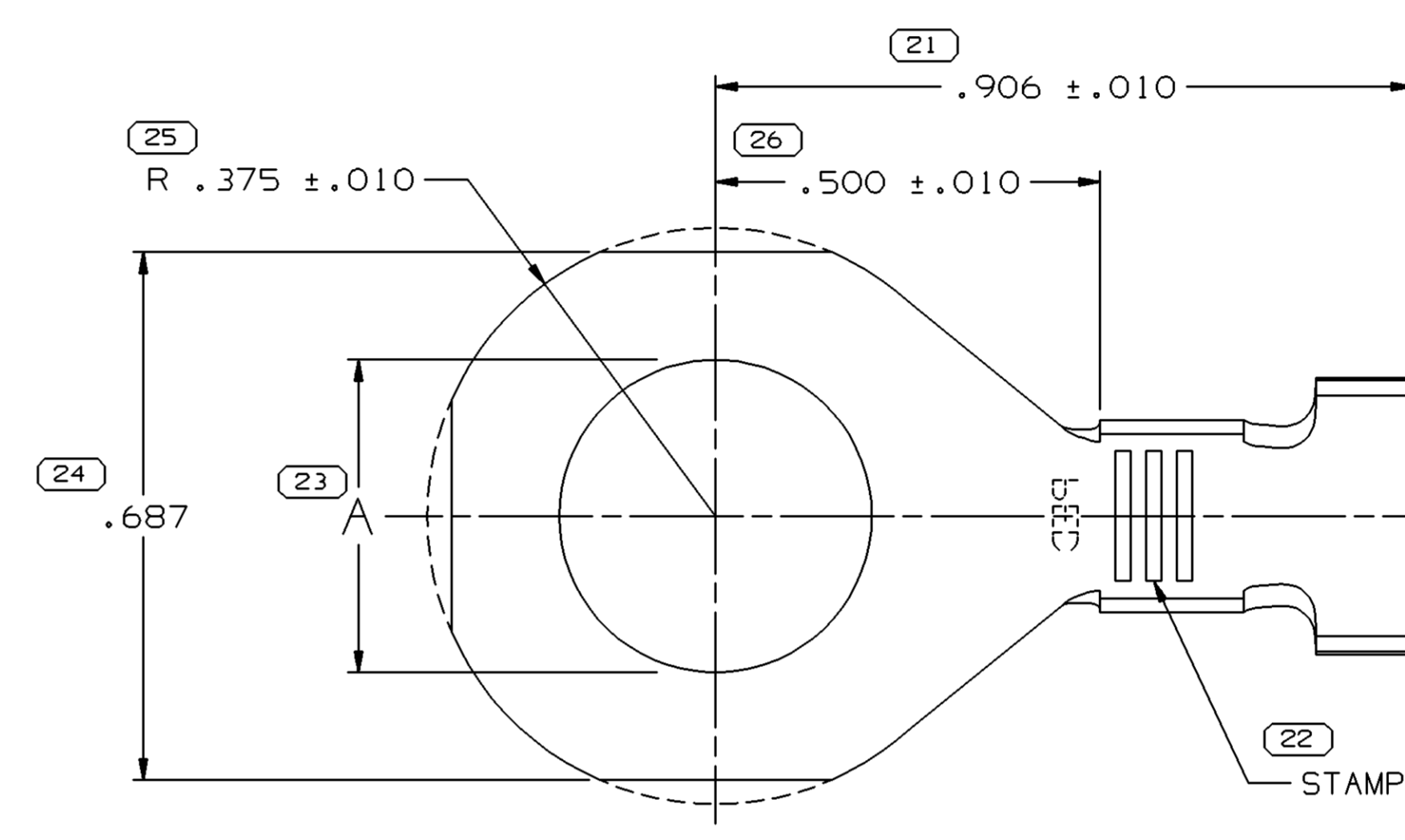
TYPE 202



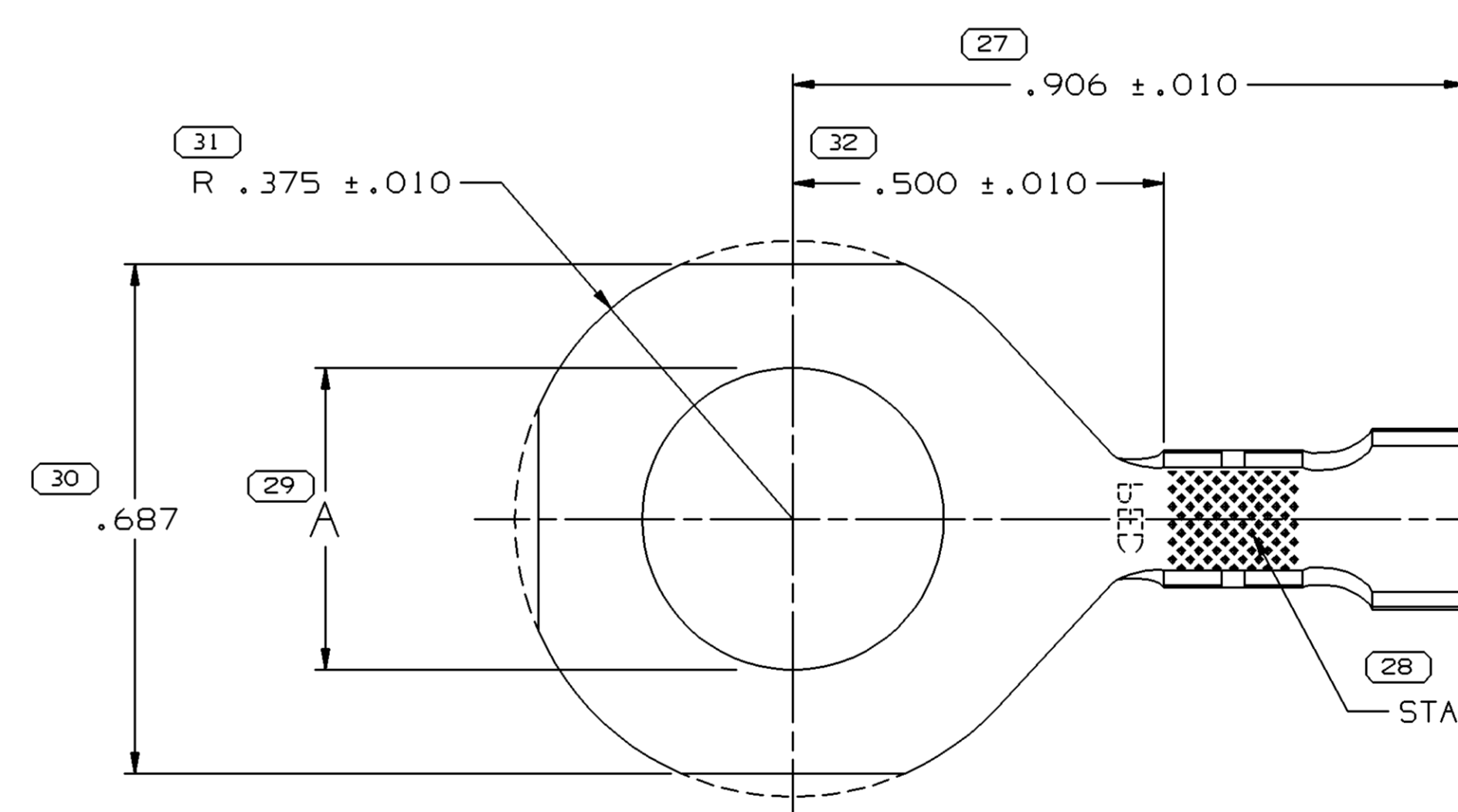
TYPE 203
SAME AS TYPE 202
EXCEPT AS SHOWN



TYPE 201



TYPE 204
SAME AS TYPE 201
EXCEPT AS SHOWN



TYPE 205
SAME AS TYPE 201
EXCEPT AS SHOWN

PART NO	REV	N/P	STATUS	MAT'L SIZE	MAT'L SPEC	PART NO	REV	N/P	STATUS	MAT'L SIZE	MAT'L SPEC	SIZE (MM²)	DIA (MM)	ID	TYPE	A	G ±.015	V ±5°	W ±.03	X ±.03
				.0403 X 1.250		12013908	A	I		M3649159		8.0	5.54-5.28	8	205	.282±.003	.260			
				.0320 X 1.250		12089562	A		OBSOLETE	M3649134		(2) 1.0 - 0.8	2.70-1.90	217	205	.345±.003	.201			
				.0320 X 1.250		12089238	A	2	OBSOLETE	M3649134		(2) 1.0 - 0.8	2.70-1.90	217	205	.282±.003	.201			
				.0320 X 1.250		12089237	A	I		M3649134		1.0 - 0.8	2.70-1.90	17	205	.282±.003	.142			
				.0320 X 1.250		12084522	A	I		M3649134		3.0 - 2.0	3.70-2.50	13	205	.407±.003	.185			
12048427	B	I		.02962953								5.0 - 3.0	4.48-3.39	11	201	(.407)		60°	.098	.054
				.0320 X 1.250		12015910	B	I		M3649134		2.0 - 1.0 & 0.8 - 0.5	3.97 MAX	1519	204	.407±.003	.240			
				.0320 X 1.250		12015909	B	I		M3649134		2.0 - 1.0	3.97 MAX	15	204	.407±.003	.170			
				.0320 X 1.250		12015908	B	I		M3649134		2.0 - 1.0 & 0.8 - 0.5	3.97 MAX	1519	204	.345±.003	.240			
				.0320 X 1.250		12015907	B	I		M3649134		2.0 - 1.0	3.97 MAX	15	204	.345±.003	.170			
				.0320 X 1.172		12015812	C	I		M3649131		(2) 0.8 - 0.5	3.13-2.69	219	203	.407±.003	.160			
				.0320 X 1.172		12015811	C	I		M3649131		(2) 0.8 - 0.5	3.13-2.69	219	203	.345±.003	.160			
12015106	C	I		.0403 X 1.250	M3614159							8.0	5.54-5.28	8	201	.244±.003	.260			
12010836	C	I		.0403 X 1.250	M3614159							8.0	5.54-5.28	8	201	.471±.005	.260			
12010245	C	I		.0403 X 1.250	M3614159							5.0 & 1.0	3.56-3.36	8	201	.345±.003	.280			
12004984	C	I		.0403 X 1.250	M3614159	12010963	C		OBSOLETE	M3649159		8.0	5.54-5.28	8	201	.533±.005	.260			
12004983	C	I		.0403 X 1.250	M3614159	12010047	C		OBSOLETE	M3649159		5.0 - 3.0	4.48-3.49	11	201	.533±.005	.230			
12004483	C	I		.0403 X 1.250	M3614159							8.0	5.54-5.28	8	201	.471±.005	.260			
12004370	B	OBSOLETE		.0403 X 1.250	M3614159							2.0 - 1.0	3.97-3.36	15	201	.533±.005	.165			
12004369	B	OBSOLETE		.0403 X 1.250	M3614159							8.0	7.24-6.48	15	201	.407±.003	.260			
12004368	B	OBSOLETE		.0403 X 1.250	M3614159							8.0	7.24-6.48	15	201	.282±.003	.260			
08917796	C	I		.0403 X 1.250	M3614159							5.0 - 3.0	4.48-3.49	11	201	.471±.005	.230			
08917642	C	I		.0403 X 1.250	M3614159	12010822	C		OBSOLETE	M3614159		8.0	5.54-5.28	8	201	.282±.003	.260			
08911809	E	OBSOLETE		.0403 X 1.250	M3614159							8.0	5.54-5.28	8	201	.235±.003	.260			
08911351	E	OBSOLETE		.0403 X 1.250	M3614159							5.0 & 1.0	3.56-3.36	8	201	.204±.003	.280			
06288377	CK	OBSOLETE		.0320 X 1.172	M3614131							2.0 - 1.0	3.05-2.48	15	202	.407±.003	.160			
02989948	CJ	OBSOLETE		.0403 X 1.250	M3614159							8.0	5.54-5.28	8	201	.407±.003	.260			
02989716	CK	I		.0320 X 1.172	M3614131							(2) 0.8 - 0.5	3.13-2.69	219	202	.345±.003	.160			
02989606	CK	I		.0320 X 1.172	M3614131							0.8 - 0.5	2.40-2.03	19	202	.345±.003	.140			
02984799	CK	I		.0403 X 1.250	M3614159							2.0 - 1.0	3.97-3.36	15	201	.471±.005	.165			
02984756	CK	I		.0320 X 1.172	M3614131							0.8 - 0.5	2.40-2.03	19	202	.407±.003	.140			
02984278	CK	OBSOLETE		.0403 X 1.250	M3614159							(1) 0.8 - (2) 5.0	-----	-----	201	.407±.003	.280			
02977493	BK	I		.0403 X 1.250	M3614159	12010821	BK		OBSOLETE	M3649159		2.0 - 1.0	3.97-3.36	15	201	.407±.003	.165			
02977492	BK	I		.0403 X 1.250	M3614159	06294088	BK		OBSOLETE	M3649159		2.0 - 1.0	3.97-3.36	15	201	.345±.003	.165			
02977491	BK	I		.0403 X 1.250	M3614159	12010964	C		OBSOLETE	M3649159		8.0	5.54-5.28	8	201	.345±.003	.260			
02977490	BK	I		.0403 X 1.250	M3614159	02989996	BK		OBSOLETE	M3649159		5.0 - 3.0	4.48-3.49	11	201	.471±.005	.230			
02962976	BK	I		.0403 X 1.250	M3614159	12010823	BL		OBSOLETE	M3649159		8.0	5.54-5.28	8	201	.407±.003	.260			
02962953	BK	I		.0403 X 1.250	M3614159	02977944	BK		OBSOLETE	M3649159		5.0 - 3.0	4.48-3.49	11	201	.407±.003	.230			

NOTES
 1. UNLESS OTHERWISE SPECIFIED AND/OR INDICATED: DIMENSIONS ARE TO FACE OF VIEW SHOWN AND AUTOMATICALLY ROUNDED BY COMPUTER FOR INSPECTION. (SEE MATH MODEL FOR PRECISE DIMENSIONS.) FOR ALL OTHER DIMENSIONS NOT SHOWN BUT REQUIRED FOR TOOL BUILD, SEE MATH MODEL FOR PRECISE TOOL PATH DATA.

.533±.003	1/2	---
.471±.003	7/16	---
.407±.003	3/8	M10
.345±.003	5/16	M8
.282±.003	1/4	M6, 3
.244±.003	#12	M5
.235±.003	#12	---
.204±.003	#10	M5

DIMENSIONAL RANGE (IN)	CHART	THIRD ANGLE PROJECTION	DO NOT SCALE
0 - .500	1	AS SHOWN	USE MATH DATA
.500 - 1.000	2		
1.000 - 2.000	3		
2.000 - 5.000	4		
5.000 - 10.000	5		
10.000 - 25.000	6		
25.000 - 50.000	7		
50.000 - 100.000	8		
100.000 - 250.000	9		
250.000 - 500.000	10		
500.000 - 1000.000	11		
1000.000 - 2500.000	12		
2500.000 - 5000.000	13		
5000.000 - 10000.000	14		
10000.000 - 25000.000	15		
25000.000 - 50000.000	16		
50000.000 - 100000.000	17		
100000.000 - 250000.000	18		
250000.000 - 500000.000	19		
500000.000 - 1000000.000	20		
1000000.000 - 2500000.000	21		
2500000.000 - 5000000.000	22		
5000000.000 - 10000000.000	23		
10000000.000 - 25000000.000	24		
25000000.000 - 50000000.000	25		
50000000.000 - 100000000.000	26		
100000000.000 - 250000000.000	27		
250000000.000 - 500000000.000	28		
500000000.000 - 1000000000.000	29		
1000000000.000 - 2500000000.000	30		
2500000000.000 - 5000000000.000	31		
5000000000.000 - 10000000000.000	32		

DWO TYPE: PART DRAWING

VOLUME (TOP): DISTR CODE: D

UNLESS OTHERWISE SPECIFIED: THIS DOCUMENT IS IN ACCORDANCE WITH ASME Y14.5M-1994 AS AMENDED BY THE DIMENSIONING AND TOLERANCE PRACTICE (2003). SEPARATE PATTERNS OF FEATURES MAY BE OBTAINED SEPARATELY REGARDLESS OF DATUM.

ALL DIMENSIONS ARE IN INCHES

REFERENCE:

DO NOT SCALE:

USE MATH DATA:

DELPHI
 DELPHI PACKARD ELECTRIC SYSTEMS
 WARREN, OH

DR	DATE
APVD1 J. VILLAMIL	15MR04
APVD2 J. VILLAMIL	15MR04
APVD3 E. HAROLDSON	17MR04
APVD4	
APVD5	

SUBSTANCES OF CONCERN AND RECYCLED CONTENT PER DELPHI 10949001

MATERIAL SEC. CHART

DRAWING NAME: TAXI TERM RING STR

DRAWING NUMBER: 02962869

SIZE A0 SCALE 5:1 FRAME NO 1 SHEET NO 2 OF 1 STG REV N/P 1 08

Mouser Electronics

Authorized Distributor

Click to View Pricing, Inventory, Delivery & Lifecycle Information:

[Aptiv:](#)

[12004983](#) [12015907](#) [12010245](#)