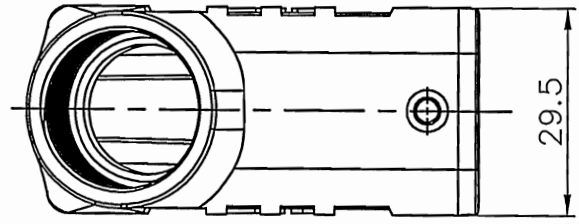
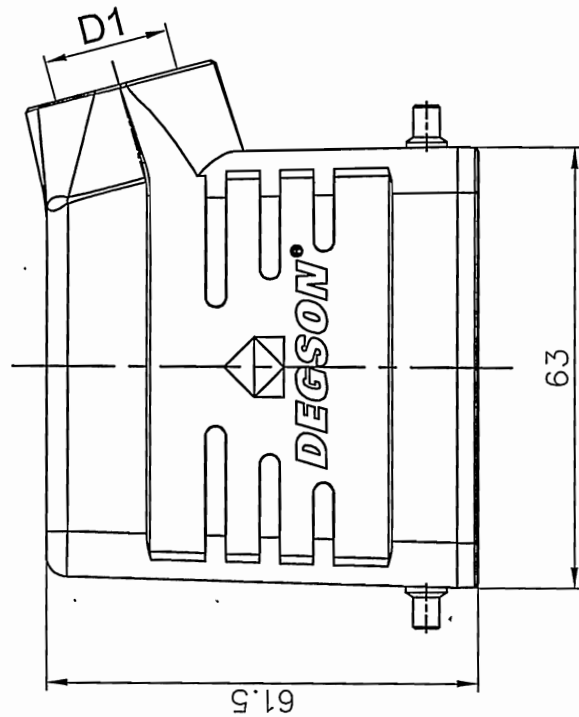
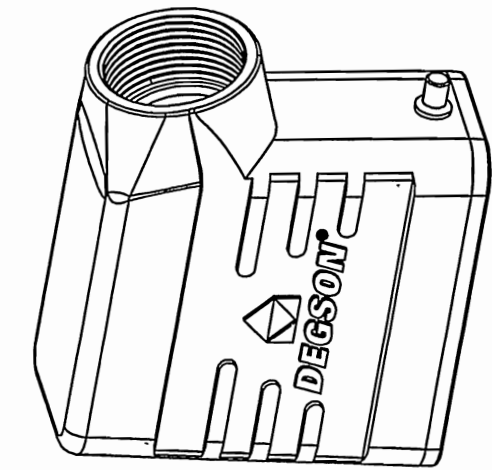


FOR-1351 Rev.1.0

TYPE	Thread(D1)	Selection
D10A-SE-2g-M20	M20	
D10A-SE-2g-PG13.5	PG13.5	

REVISION RECORD			
REV	ECN	DESCRIPTION	DATE



- Hoods Feature
01. Material: Aluminium die-cast
 02. Surface: Powder-coated
 03. Color: grey (RAL 7037)
 04. Limiting temperatures: -40°C ~ +125°C
 05. Sealing: NBR
 06. Flammability acc to UL94: V0
 07. Degree of protection acc. to
EN60529 for coupled connector: IP65
 08. Rohs Compliance

PART NO:		NINGBO DEGSON ELECTRICAL CO., LTD	
APPD:	HYS 2016.08.15	NAME:	D10A-SE-2g-M/PG
CHKD:	CHK 2016.08.15	TITLE:	CUSTOMER DRAWING
DRFT:	Mr. Yong	REV	DO-1
THIRD ANGLE PROJECTION		DRAWING NO:	SHEET 1/1
		DO NOT SCALE DRAWING	SCALE: 1:1

DETACHED LISTS