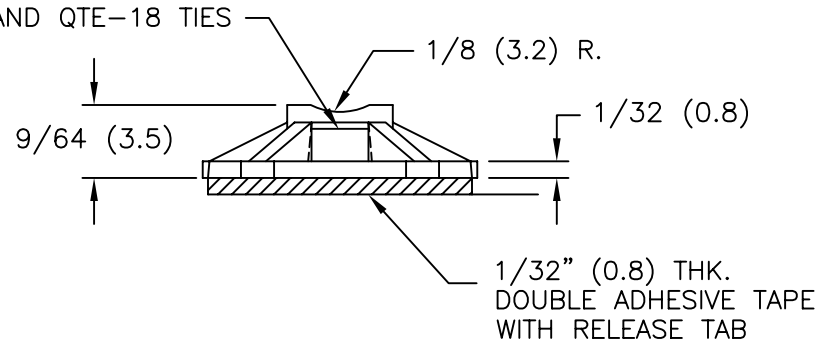
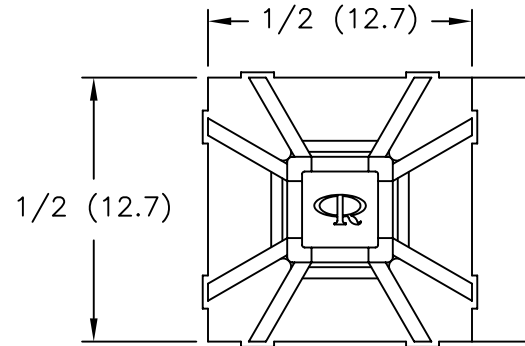


PART NO.	MATERIAL	COLOR	ADHESIVE
MFTH-2-01A-RT	NYLON 6/6 (RMS-01)	NATURAL	ACRYLIC TAPE (RMS-15), WHITE LINER
MFTH-2-01A1-RT			RUBBER TAPE (RMS-102), BLUE LINER




NOTES:

1. NYLON 6/6 (RMS-01),
 COLOR: NATURAL, WITHOUT TAPE,
 AVAILABLE BY SPECIAL ORDER ONLY;
 TO ORDER USE P/N: MFTH-2-01.

FLAME RETARDANT NYLON (RMS-19),
 COLOR: NATURAL,
 ACRYLIC ADHESIVE TAPE (RMS-15), WHITE LINER,
 AVAILABLE BY SPECIAL ORDER ONLY;
 TO ORDER USE P/N MFTH-2-19A-RT
 OR MFTH-2-19 (WITHOUT TAPE).

UV STABILIZED NYLON 6/6 (RMS-46),
 COLOR: BLACK,
 ACRYLIC ADHESIVE TAPE (RMS-15), WHITE LINER,
 AVAILABLE BY SPECIAL ORDER ONLY;
 TO ORDER USE P/N MFTH-2A-RT-UVB
 RUBBER ADHESIVE TAPE (RMS-102), BLUE LINER,
 AVAILABLE BY SPECIAL ORDER ONLY;
 TO ORDER USE P/N MFTH-2A1-RT-UVB,
 OR MFTH-2-UVB (WITHOUT TAPE).

ACCOMMODATES WIT-18 AND QTE-18 TIES

TITLE: MINI-FLAT TIE HOLDER		DWG IN IN (MM)		FINAL				
E	SEE ECN #1124 FOR CHANGES	SK 01.24.06	TOLERANCES UNLESS NOTED	FILE # MFTH-2	DWN: P.B.	APP:	PART #	PRINT TYPE
D	ADDED RUBBER TAPE TO UV MAT'L NOTE	SM 12.13.01	.XX=±.010	MAT'L: SEE TABLE	DT: 10-19-94	DT:		
C	COMPLETELY RE-DRAWN & CHANGED FILE#	SM 10.18.01	.XXX=±.005	RE: RICHCO, INC.	RICHCO INC. PO BOX 804238, CHICAGO, 60680 (773) 539-4060			
B	RUBBER TAPE (RMS-102) ADDED	JL 8.22.00	FRAC=±1/64					
A	MAT'L AND CABLE TIE NOTES UPDATED	J.L. 01.10.00	ANG=±1'					
REV	DESCRIPTION	ENGR DATE						