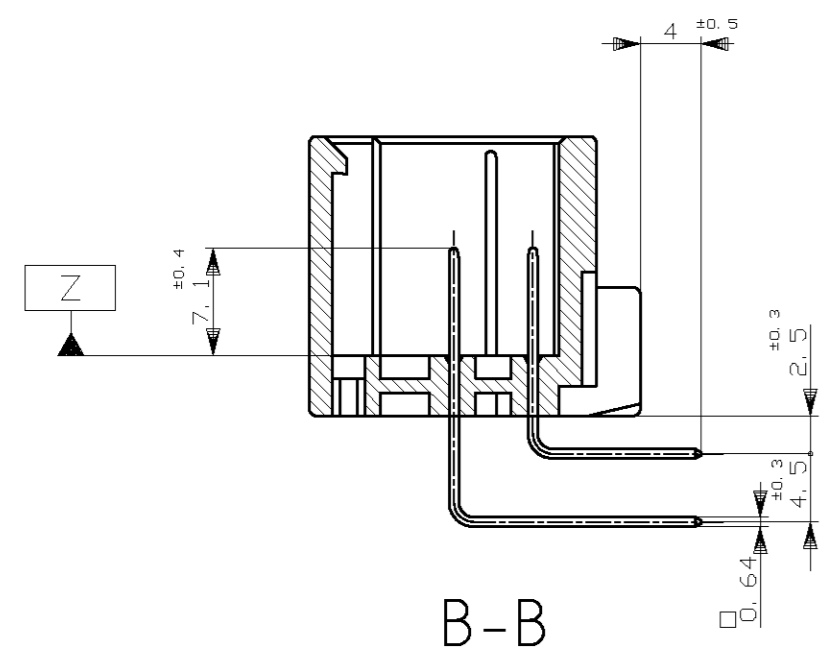
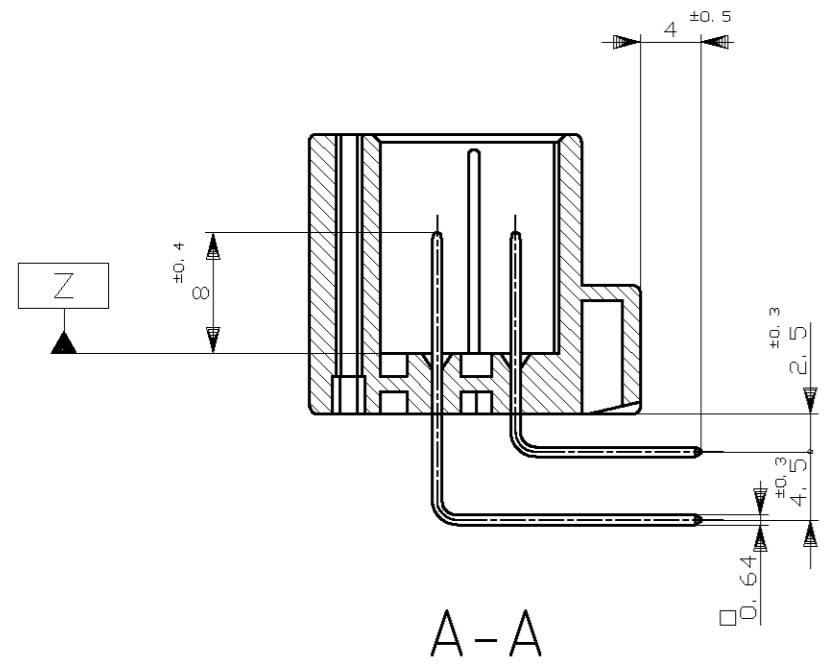
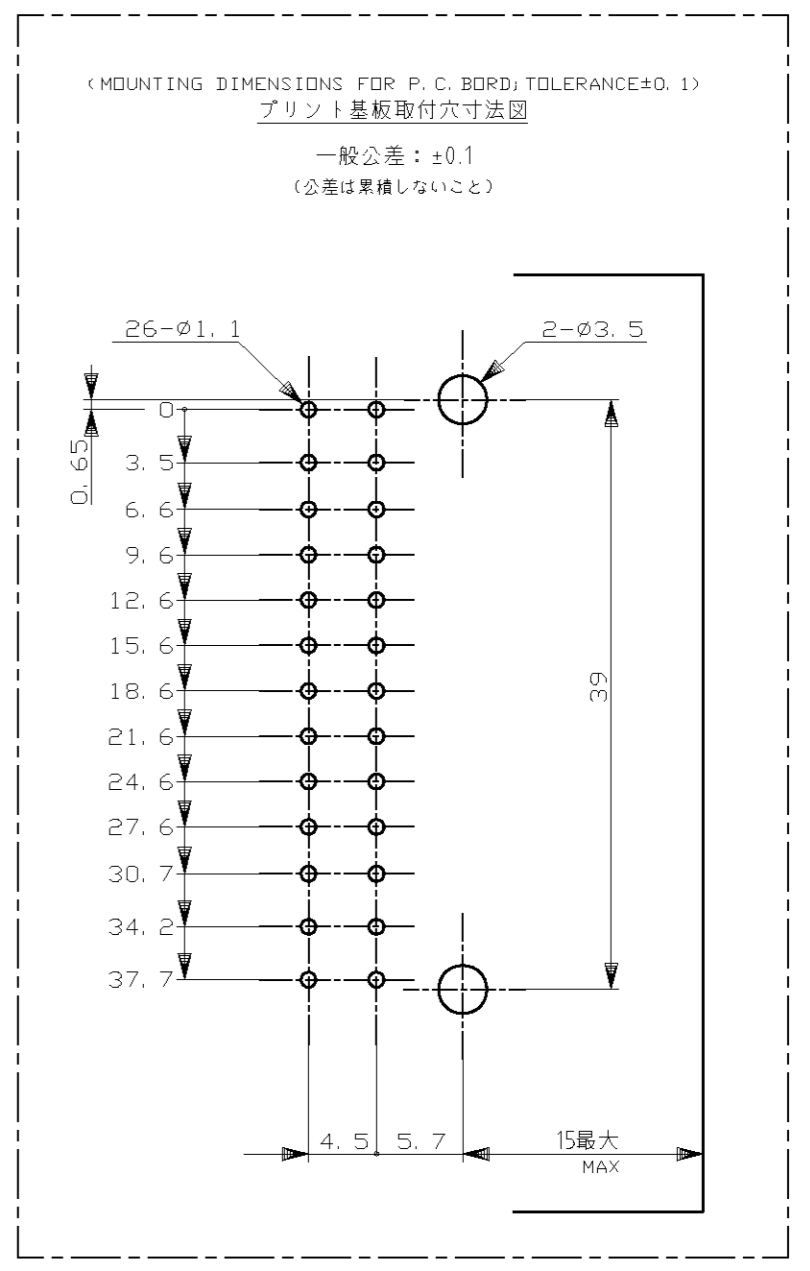
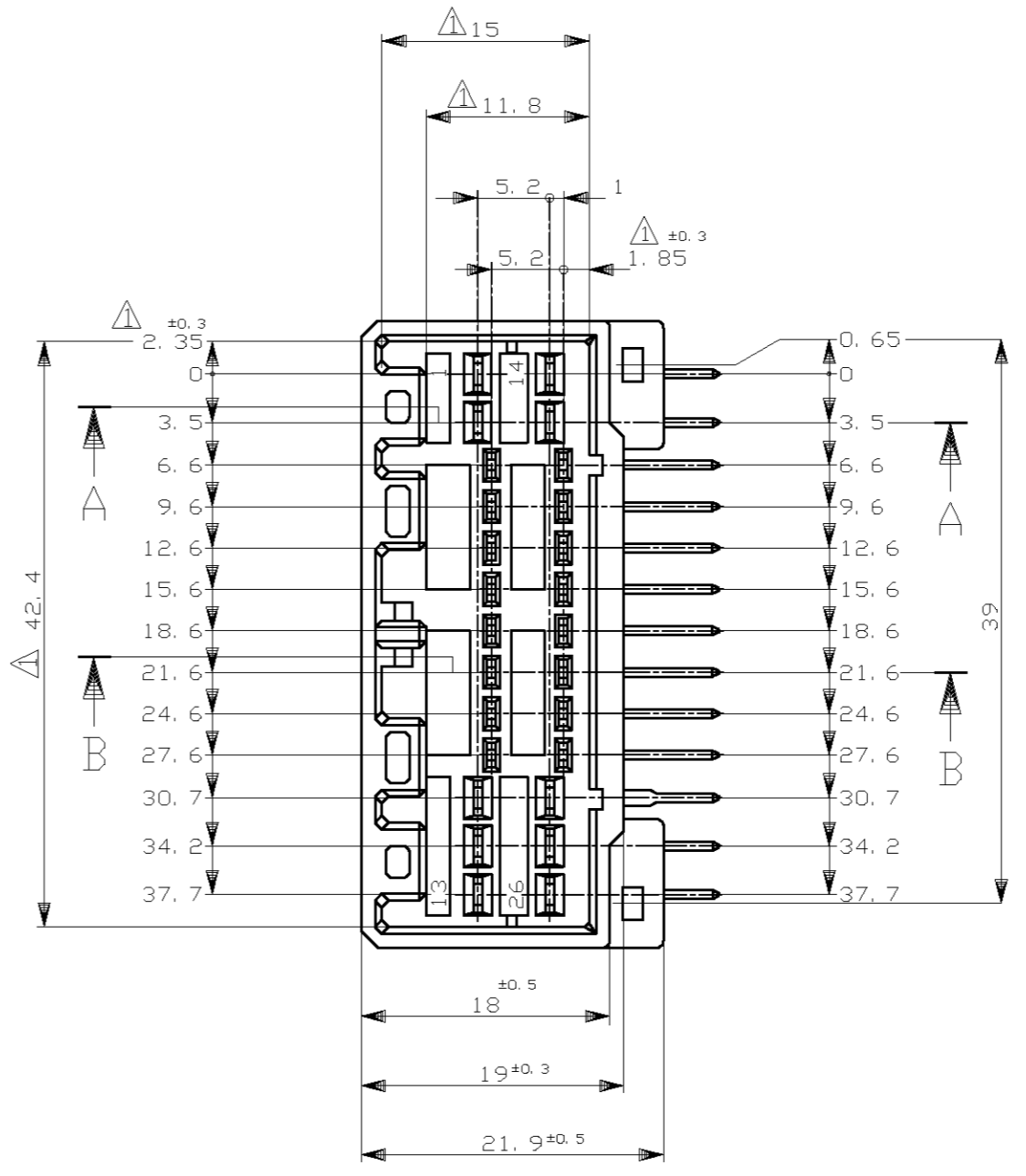
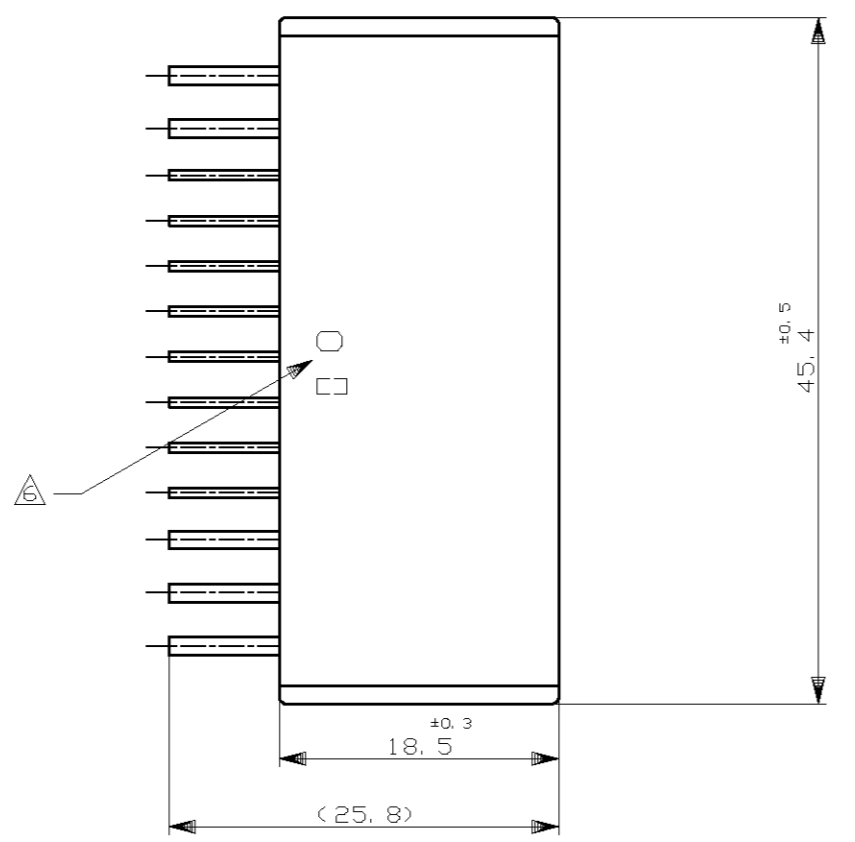
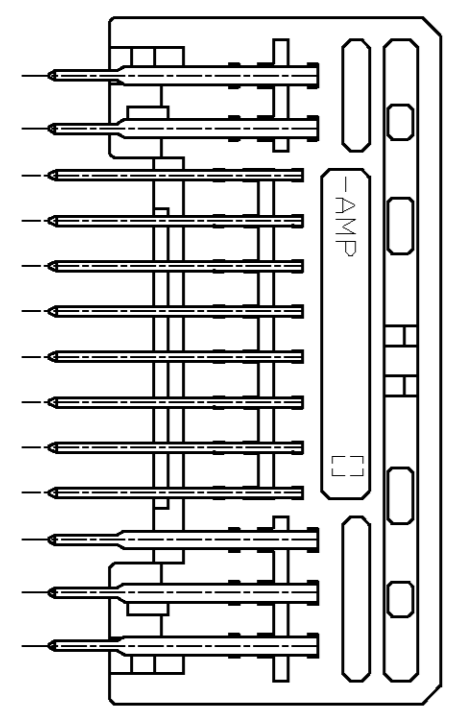
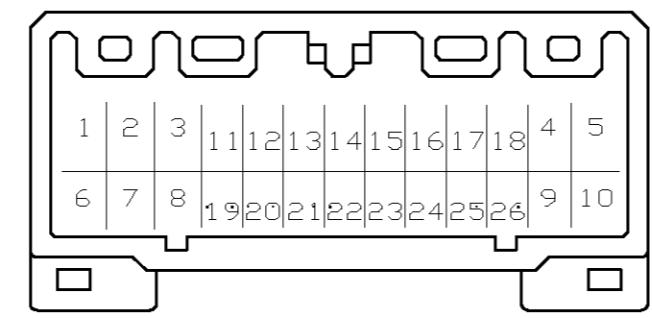


THIS DRAWING IS UNPUBLISHED. RELEASED FOR PUBLICATION  
 © COPYRIGHT BY TYCO ELECTRONICS CORPORATION. ALL RIGHTS RESERVED.

LOC	DIST	REVISONS					
J	-	P	LTR	DESCRIPTION	DATE	DWN	APVD
		E3	REVISED	ECR-09-006982	26MAR09	TS	KB



1. [-Z-] 面から2mmの範囲で測定
2. 嵌合相手ハウジング型 175567
3. 推奨取付ねじ: JIS B1115, B1122 タップンねじ, なべ2種  
呼び径3, 長さ6mm以下 (締付けトルク: 0.4N-m (4kg-cm) 以下)
4. 適用製品規格番号: 108-5280
5. 回路番号:
  - パワー回路 ①~⑩
  - シグナル回路 ⑪~⑳



6. 適用製品型番のプリフィックス及びIDマークをカラーホットマークにて表示
1. MUST BE KEPT BETWEEN [-Z-] AND 2
2. THE MATING PLUG HSG. PART NUMBER: 175567
3. RECOMMENDED MOUNTING SCREW: 3mm DIA, 6mm LENGTH (MAX.)  
PAN HEAD, CLASS 2 TAPPING SCREW SPECIFIED IN JIS B1115, B1122  
(TIGHTENING TORQUE: 0.4N-m (4kg-cm) MAX.)
4. APPLICABLE PRODUCT SPEC NO: 108-5280
5. CIRCUIT NUMBER  
POWER CIRCUIT NO. ①~⑩  
SIGNAL CIRCUIT NO. ⑪~⑳
6. INDICATED PREFIX AND ID MARK OF PRODUCT P/N BY COLOR HOT MARK

55	SELECTIVE-TIN (MATTE)	SELECTIVE GOLD × 4 SELECTIVE-TIN (BRIGHT) × 22	-	13, 14, 19, 22	WHITE	5-5178762-1
54	SELECTIVE-TIN (MATTE)	SELECTIVE GOLD × 2 SELECTIVE-TIN (BRIGHT) × 24	-	14, 22	BLACK	4-5178762-2
52	SELECTIVE-TIN (MATTE)	SELECTIVE GOLD × 11 SELECTIVE-TIN (BRIGHT) × 15	3, 8	12~17, 19~21	GRAY	2-5178762-6
5	TIN-LEAD	SELECTIVE GOLD × 4	-	13, 14, 19, 22	WHITE	5-178762-1
4	TIN-LEAD	PRE-TIN × 22 SELECTIVE GOLD × 2	-	14, 22	BLACK	4-178762-2
3	TIN-LEAD	PRE-TIN × 24 SELECTIVE GOLD × 2	-	25, 26	WHITE	3-178762-1
2	TIN-LEAD	PRE-TIN × 15 SELECTIVE GOLD × 11	3, 8	12~17, 19~21	GRAY	2-178762-6
2	TIN-LEAD	PRE-TIN × 15 SELECTIVE GOLD × 11	3, 8	12~17, 19~21	WHITE	2-178762-1
0	PRE-TIN × 26	-	-	-	GRAY	178762-6
0	PRE-TIN × 26	-	-	-	BLUE	178762-5
0	PRE-TIN × 26	-	-	-	BLACK	178762-2
0	PRE-TIN × 26	-	-	-	WHITE	178762-1

THIS DRAWING IS A CONTROLLED DOCUMENT.

DWN	T. SHINOHARA	12FEB08
CHK	K. BETSUI	12FEB08
APVD	K. BETSUI	12FEB08

NAME: 26POSITION CAP HOUSING ASSEMBLY  
 040/070 SERIES HYBRID I/O CONNECTOR

SCALE: 2:1 SHEET: 1 OF 1 REV: E3