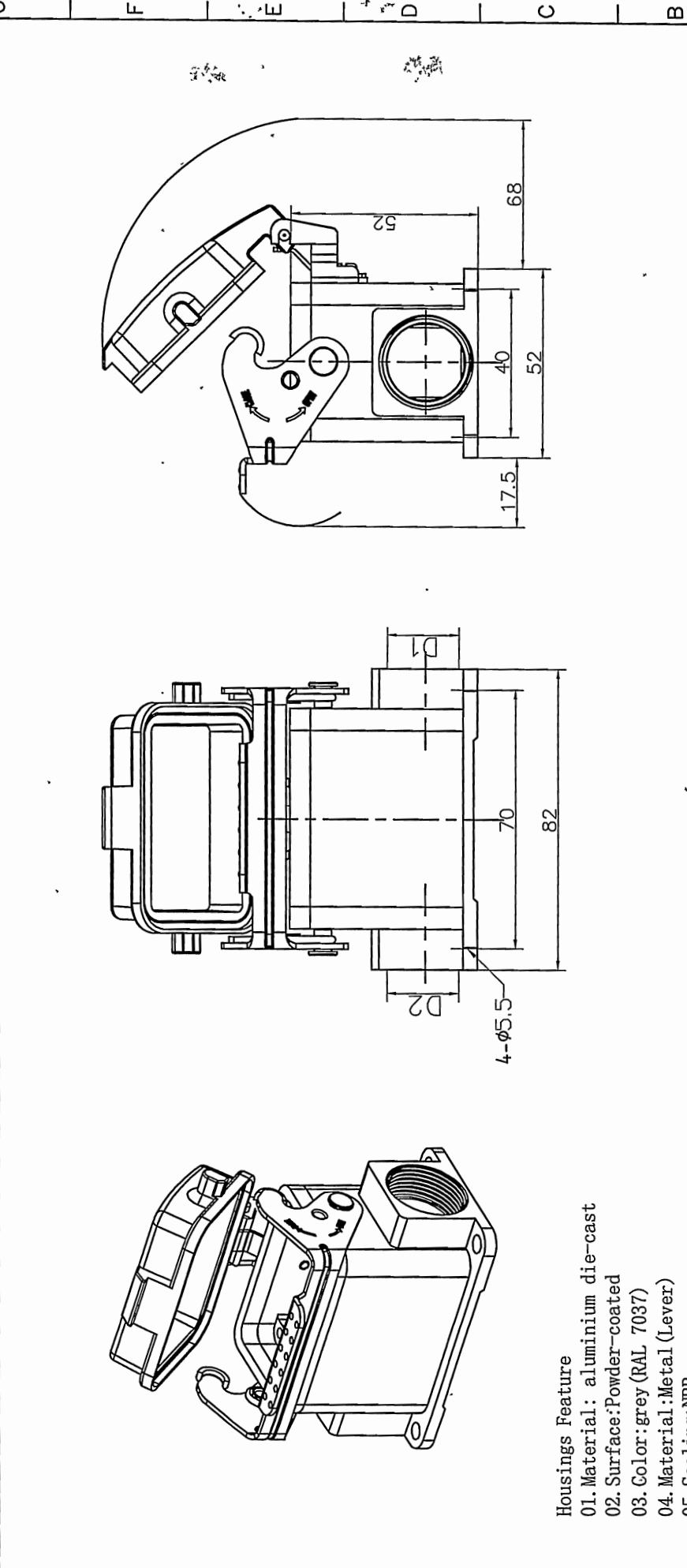


REVISION RECORD		1
REV	ECN	DESCRIPTION

REV	ECN	DESCRIPTION	DRFT	DATE

TYPE	Thread		Selection
	D1	D2	
D6B-SF-1L-CV-M20	M20	—	
D6B-SF-1L-CV-2M20	M20	M20	
D6B-SF-1L-CV-M25	M25	—	
D6B-SF-1L-CV-2M25	M25	M25	
D6B-SF-1L-CV-PG16	PG16	—	
D6B-SF-1L-CV-2PG16	PG16	PG16	



Housings Feature

- 01. Material: aluminium die-cast
- 02. Surface: Powder-coated
- 03. Color: grey (RAL 7037)
- 04. Material: Metal (Lever)
- 05. Sealing: NBR
- 06. Covers: Plastic
- 07. Limiting temperatures: -40°C ~ +125°C
- 08. Flammability acc to UL94: V0
- 09. Degree of protection acc. to ENG60529 for coupled connector : IP65
- 10. Rohs compliance

PART NO.:	/	NINGBO DEGSON ELECTRICAL CO., LTD
APPD:	HYS 2017.7.2	NAME: D6B-SF-1L-CV-M/PG
CHKD:	CHK 2017.7.1	TITLE: CUSTOMER DRAWING
DRFT:	Mr.yang 2017/06/28	REV: D0-1
THIRD ANGLE PROJECTION		SHEET: 1/1
DO NOT SCALE DRAWING		SCALE: 1:1.5