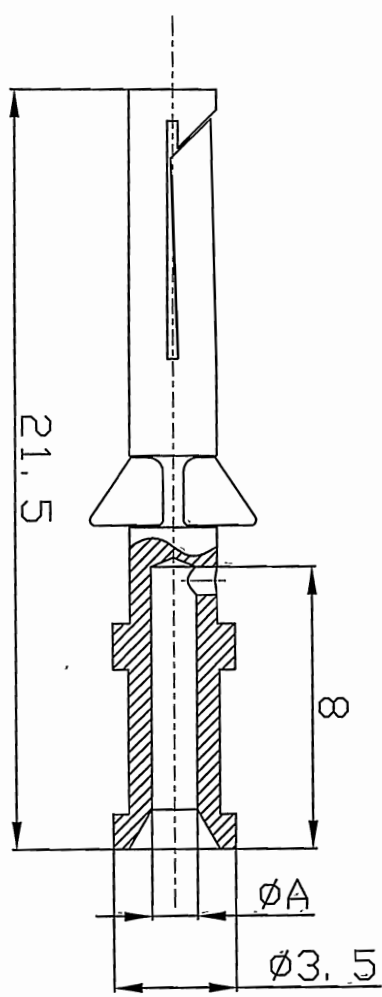


Contacts, Gold-plated	(ØA)	Wire gauge		Recommended stripping length
		(mm ²)	(AWG)	
◆ 10A-GF-0.37	0.9	0.14-0.37	26-22	8mm
10A-GF-0.5	1.1	0.50	20	8mm
10A-GF-0.75	1.3	0.75	18	8mm
10A-GF-1.0	1.45	1.00	18	8mm
10A-GF-1.5	1.75	1.50	16	8mm
10A-GF-2.5	2.25	2.50	14	6mm

REVISION RECORD			
REV	ECN	DESCRIPTION	DATE



- Crimp contacts
- 01. Material : Copper alloy
 - 02. Surface : Hard-Gold plated
 - 03. Contact resistance : $\leq 3m\Omega$
 - 04. Terminal : Crimp connection
 - 05. Wire gauge : 0.37-2.5mm² (AWG 22-14)
 - 06. Rohs Compliance

PART NO.: /		宁波德松电子有限公司 NINGBO DEGSON ELECTRICAL CO., LTD	
APPRD: H/S 2016.8.12	NAME: 10A-Female Contacts(Gold-plated)	TITLE: CUSTOMER DRAWING	
CHKD: CHK 2016.8.10	DRAWING NO.: /	REV: 1/1	DO: 1/1
DRAFT: Mr. Yang 2016.08.08		SCALE: 5:1	
DETACHED LISTS THIRD ANGLE PROJECTION			