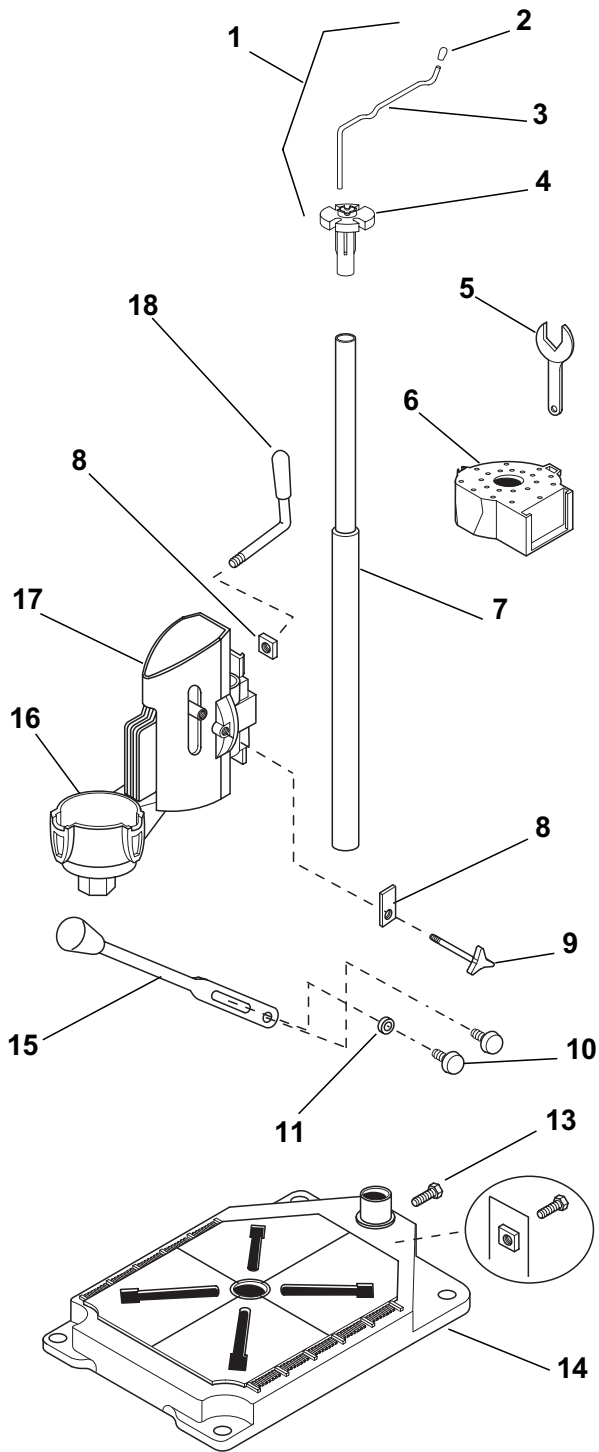
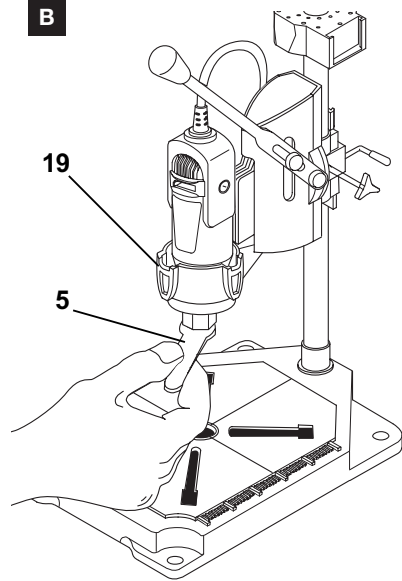
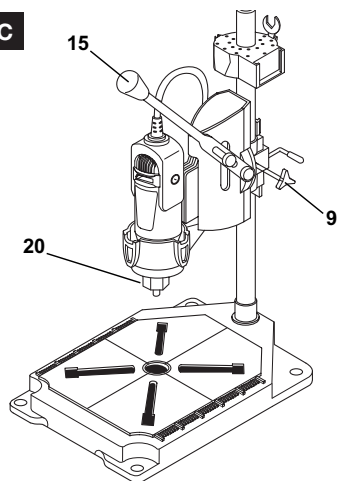
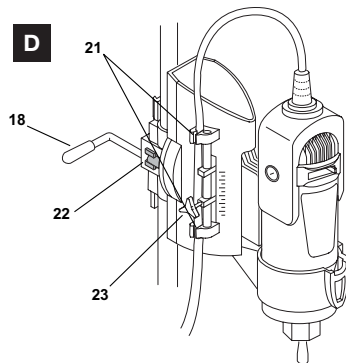
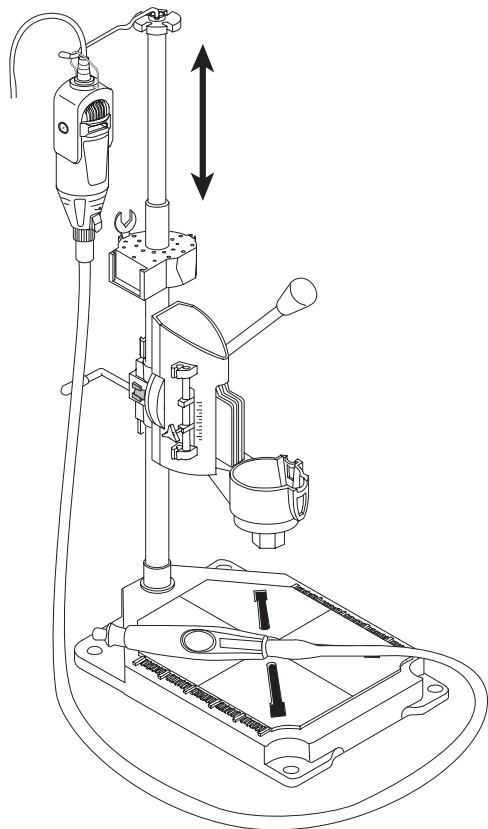
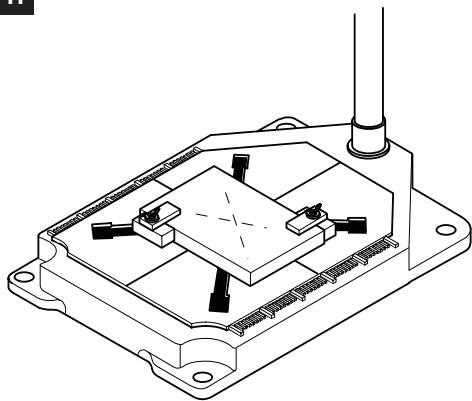
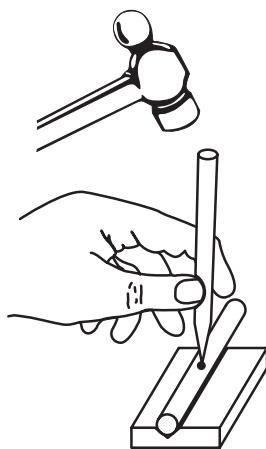
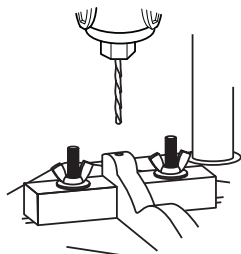
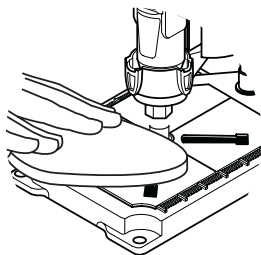
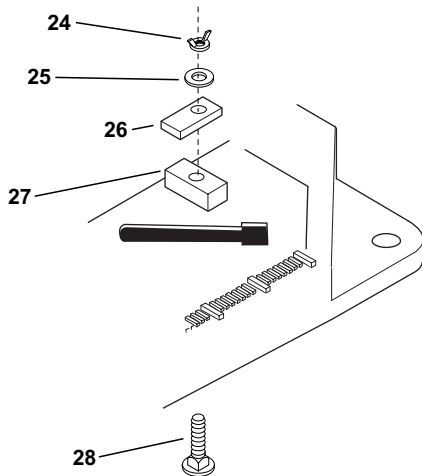


- (GB)** Combined Drill Press and Tool Holder
- (D)** Kombination Bohrstände und Werkzeughalterung
- (F)** Combiné support de perçage et support d'outil
- (NL)** Gecombineerde boorstandaard en gereedschapshouder
- (S)** Borrstativ och verktygshållare i kombination
- (N)** Kombinert borestativ og maskinholder
- (FIN)** Yhdistetty porausteline ja työkalunpidin
- (DK)** Kombineret borestander og værktøjsholder
- (I)** Supporto a colonna combinato con supporto utensile
- (E)** Combinación de bancada y soporte para herramientas
- (P)** Combinado coluna de perfuração + porta-ferramentas
- (GR)** Συνδυασμός βάσης δρανάου και στηρίγματος εργαλείου
- (H)** Kombinált oszlopos fúrógép és szerszámtartó
- (CZ)** Kombinovaná přiklepová vrtačka a držák nástroje
- (PL)** Zintegrowany statyw narzędziowy i stojak wiertarski
- (TR)** Matkap delme tezgahı ve alet askısı
- (RU)** Комбинированный сверлильный станок и подставка для крепления инструмента

(GB) Operating/Safety Instructions	3-5
(D) Bedienungs-/Sicherheitshinweise	6-8
(F) Instructions d'utilisation et de sécurité	9-11
(NL) Aanwijzingen m.b.t. bediening en veiligheid	12-14
(S) Drift- och säkerhetsanvisningar	15-17
(N) Bruksanvisning og sikkerhetsinstruksjoner	18-20
(FIN) Käyttö-/turvaohjeet	21-23
(DK) Betjenings-/sikkerhedsvejledning	24-26
(I) Istruzioni per l'uso e la sicurezza	27-29
(E) Instrucciones de funcionamiento y seguridad	30-32
(P) Instruções de serviço/de segurança	33-35
(GR) Οδηγίες Χειρισμού/Ασφαλείας	36-38
(H) Használati/biztonsági utasítások	39-41
(CZ) Provozní/bezpečnostní pokyny	42-44
(PL) Instrukcja obsługi/Instrukcja dotycząca bezpieczeństwa	45-47
(TR) Çalışma/Güvenlik Talimatları	48-50
(RU) Инструкции по эксплуатации и технике безопасности	51-53

Dremel European Sales Office
Konijnenberg 60, Breda
The Netherlands

A**B****C****D**

E**H****I****F****G****J**

	1	2	3	4	5	6	7
GB	Hanger Assembly	Cap	Hanger Wire	Cord Holder	Wrench	Crows Nest	Tube Assembly
D	Aufhängevorrichtung	Kappe	Aufhänger	Kabelhalter	Schlüssel	Werkzeughalterung	Höhenverstellbare Stange
F	Ensemble support	Capuchon	Support de câble	Passe-câble	Clé plate	Boîtier de rangement	Colonne
NL	Ophangeenheid	Afdekleplaatje	Ophangdraad	Snoerhouder	Sleutel	Accessoirehouder	Buisenheid
S	Upphångningsanordning	Lock	Upphängningstråd	Sladdhållare	Skiftnyckel	Tillbehörshållare	Tubstativ
N	Oppheng	Kappe	Opphengs-wire	Ledningsholder	Fastnøkkel	Bitsholder	Stang
FIN	Telinekokonaisuus	Kotelo	Koneen pidin	Johdon pidike	Avain	Työkäluopin	Putki
DK	Ophæng	Hætte	Ophængningswire	Ledningsholder	Nøgle	Bor- og bitholder	Rør, samlet
I	Gruppo gancio	Coperchio	Gancio	Ferma cavo	Chiave	Porta accessori	Gruppo colonna
E	Soporte de montaje	Tapa	Cable de suspensión	Soporte para cable	Llave	Soporte de herramientas	Montaje del tubo
P	Conj. de suspensão	Capa	Arame de suspensão	Suporte do cabo	Chave	Depósito para acessórios	Conj. de tubos
GR	Εξάρτημα ανάρτησης	Καπάκι	Σύρμα ανάρτησης	Στήριγμα καλωδίου	Κλειδί	Θήκη στην κολόνα	Συγκρότημα κολόνας
H	Akasztó szerelvény	Fej	Akasztóhuzal	Vezetéktartó	Csavarkulcs	Tartógyűrű	Tubus összeszerelés
CZ	Sestava závěsu	Krytka	Drát závěsu	Držák síťového kabelu	Klíč	Zásobník	Sestava trubek stojanu
PL	Wieszak	Nasadka	Wieszak kabla	Uchwyt kablowy	Klucz	Półeczka na narzędzia	Statyw
TR	Aski Grubu	Kapak	Metal Aski	Kablo Tutucu	Mandren Anahtar	Manivela Yuvası	Tüp Grubu
RU	Кронштейн в сборе	Колпачок	Кронштейн	Держатель шнура	Рожковый ключ	Площадка	Стойка в сборе

	8	9	10	11	13	14
GB	Square Nut	Angle Lock Lever	Bolt	Lockwasher	Base Hex Bolt	Base
D	Zwischenplatte	Feststellhebel für Drehvorrichtung	Bolzen	Schraubensicherung	Basis-Sechskantschraube	Grundplatte
F	Ecrou carré	Clé de blocage angulaire	Boulon	Rondelle frein	Vis de blocage colonne, tête hexagonale	Embase
NL	Vierkantmoer	Hoekinstelknop	Bout	Onderlegplaatje	Zeskantbout basisplaat	Basisplaat
S	Fyrkantsmutter	Vinkellås	Bult	Låsbricka	Bassexkantsmutter	Bas
N	Mutter	Låsespak for vinkling	Bolt	Låseskive	Sekskantbolt	Sokkel
FIN	Neliömutteri	Kulmalukon vipu	Pultti	Lukkoaluslevy	Jalkalevyn kuusiomutteri	Jalkalevy
DK	Firkantet møtrik	Vinkelåsehåndtag	Bolt	Låseskive	Sekskantet bolt til fodplade	Fodplade
I	Dado quadrato	Leva bloccaggio angolo	Bullone	Rondella autobloccante	Bullone a testa esagonale della base	Base
E	Tuerca cuadrada	Palanca de bloqueo angular	Perno	Arandela de presión	Perno de base hexagonal	Base
P	Porca quadrada	Alavanca de bloqueio do ângulo	Parafuso	Espaçador	Parafuso de cabeça sextavada para a base	Base
GR	Τετράγωνο παξιμάδι	Μοχλός ασφάλισης γωνίας	Κοχλίας	Ροδέλα ασφάλισης με ελατήριο	Εξάγωνος κοχλίας βάσης	Βάση
H	Négylapú anya	Szöghehelyzet-rögzítőkár	Csavar	Rugós alátét	Alap hatlapú csavar	Alaplap
CZ	Čtyřhranná matice	Páčka nastavení úhlu	Šroub	Pružná podložka	Šroub s šestihrannou hlavou do podstavce	Podstavec
PL	Nakrętka czworokątna	Kątowna dźwignia blokująca	Śruba	Podkładka zabezpieczająca	Śruba sześciokątna podstawy	Podstawa
TR	Kare Somun	Açı Kilit Kolu	Civata	Kilit Rondelası	Altgen Tezgah Civatası	Tezgah
RU	Квадратная гайка	Рычаг фиксации угла	Болт	Пружинная шайба	Болт с шестигранной головкой, для основания	Основание

	15	16	17	18	19	20	21
GB	Press Handle	Tool Holder	Drill Press	Height Adjustment Lever	Shaft Lock Button	Clamp Nut	Cord Clips
D	Druckgriff	Tischständer	Bohrständer	Höheneinstellung	Spindelarrretierungs-knopf	Klemmschraube	Kabelhalter
F	Poignée de manœuvre	Support d'outil	Berceau de perceuse	Réglage de la hauteur	Bouton de blocage d'arbre	Ecrou de blocage	Clips pour câble
NL	Bedieningshendel	Gereedschaphouder	Boorstandaard	Hoogte-instelling	As-blokkeringsknop	Klemmoer	Snoerklemmen
S	Presshandtag	Maskinstativ	Borrstativ	Höjdinställning	Skaftlåsknapp	Klämman	Kabelklips
N	Feste	Maskinholder	Maskinfeste	Højdejustering	Spindellåsknapp	Klemmemutter	Ledningsklips
FIN	Käyttökahva	Työkalupidin	Porausteline	Korkeuden säätö	Karalukkopainike	Pinnemutteri	Johdon pidikkeet
DK	Pressehåndtag	Værktøjsholder	Borestander	Højdejustering	Knap til aksellås	Spændemøtrik	Ledningsholdere
I	Leva di movimento verticale	Porta utensile	Slitta	Leva di regolazione altezza	Pulsante di blocco albero	Dado di serraggio	Passacavi
E	Empuñadura de sujeción	Soporte para herramientas	Bancada	Ajuste de altura	Botón de bloqueo del eje	Tuerca de fijación	Clips para el cable
P	Alavanca de pressão	Porta-ferramentas	Coluna de perfuração	Alavanca de ajuste da altura	Botão de bloqueio do veio	Porca de aperto	Braçadeiras do cabo eléctrico
GR	Λαβή πίεσης	Στήριγμα εργαλείου	Βάση δραπάνου	Ρύθμιση του ύψους	Κουμπι κλειδώματος του αξονα	Παξιμάδι σύσφιξης	Σφιγκτήρες καλωδίου
H	Nyomókar	Szerszámtartó	Tartóállvány	Magasságbeállítás	Tengelybiztosító gomb	Rögzítőanya	Vezetékkapocs
CZ	Přítlačná páka	Držák nástroje	Přiklepový mechanismus	Nastavení výšky	Tlačítko zajištění hřídele	Upínací matice	Svěrky síťového kabelu
PL	Uchwyt wiertarki	Uchwyt narzędziowy	Wiertarka pionowa	Regulacja wysokości	Przycisk blokady wałka	Nakrętka zaciskowa	Zaciski kabla
TR	Pres Kolu	Alet Tutucu	Delici Pres	Yükseklik Ayarı	Mil Kilitleme Butonu	Sabitleme Somunu	Kablo Klipsi
RU	Рукоятка станка	Держатель инструмента	Сверлильный станок	Устройство регулировки по высоте	Кнопка блокировки вала	Зажимная гайка	Зажимы для шнура

	22	23	24	25	26	27	28
GB	Tool Rotating Small Lock Knob	Depth Stop Adjustment Lock Knob	Wing Nut	Washer	Hold Down Clamp	Spacer	Carriage Bolt
D	Arretierungsknopf für Drehvorrichtung	Arretierungsknopf für Tiefeneinstellung	Flügelmutter	Unterlegscheibe	Andrück-klemme	Zwischenstück	Schlossschraube
F	Molette de blocage de rotation de l'outil	Molette de réglage de la profondeur	Ecrou papillon	Rondelle	Butée de blocage	Entretoise	Boulon coulissant
NL	Kleine vergrendelingsknop voor gereedschapsrotatie	Vergrendelingsknop instelling diepte-aanslag	Vleugelmoer	Onderlegplaatje	Neerdrukklem	Afstandstuk	Slotbout
S	Rotationsläsved	Läsved för djupstoppsjustering	Vingmutter	Bricka	Fästklämman	Distansbricka	Arbetsbordsbult
N	Låseknot for rotering av maskinen	Låseknot for dybdestopper	Vingemutter	Skive	Klype for å holde maskinen nede	Avstandsstykke	Bolt
FIN	Työkalun kierron lukitusnuppi	Syvyysensäädön lukitusnuppi	Siipimutteri	Aluslevy	Kiinnitin	Välikappale	Lukkopultti
DK	Lille låsegreb til værktøjets rotation	Justeringsgreb til dybdestop	Vingemøtrik	Skive	Tilholder	Afstandsklods	Bræddebolt
I	Manopola bloccaggio rotazione utensile	Monopola di regolazione blocco di profondità	Galletto	Rondella	Staffa di bloccaggio	Distanziale	Bullone autobloccante
E	Mando de bloqueo de giro de la herramienta	Mando de bloqueo de ajuste de profundidad	Tuerca de mariposa	Arandela	Abrazadera de apriete	Separador	Tornillo de carruaje
P	Botão de bloqueio pequeno para rodar a ferramenta	Botão de bloqueio do ajuste do baterite de profundidade	Porca de orelhas / arruelas	Anilha	Grampo de retenção	Espaçador	Parafuso de cabeça quadrada
GR	Μικρό κουμπι σύσφιξης του περιστροφικού εργαλείου	Κουμπι σύσφιξης της ρύθμισης του όβηγου βάθους	Παξιμάδι τύπου πεταλούδας	Ροδέλα	Σφιγκτήρας συγκράτησης	Αποστάτης	Φέρον κοχλίας
H	Szerszámforgató kis rögzítógomb	Mélyiségűtköző-állító rögzítógomb	Szárnysanya	Alátét	Befogóelem	Távtartó	Szállítócsavar
CZ	Malý zajišťovací knoflík otáčeni nářadí	Zajišťovací knoflík nastavení hloubkového dorazu	Křídlová matice	Podložka	Přidrzná svěrka	Distancní podložka	Vratový šroub
PL	Małe pokrętło blokujące obrót narzędzia	Pokrętło ogranicznika głębokości obróbki	Nakrętka motylkowa	Podkładka	Zacisk dociskowy	Odstępnik	Śruba montażowa
TR	Aletin Kilit Pimi	Derinlik Durdurma Ayar Kilit Pimi	Kelebek Somun	Rondela	Sabitleme Aparatı	Ara parçası	Ağaç Vidası
RU	Малый фиксатор вращения инструмента	Фиксатор ограничителя глубины	Гайка-барашек	Шайба	Прижим	Прокладка	Болт с квадратным подголовком

Power Tool Safety Rules



⚠️ WARNING

Read and understand all instructions (including instructions of the tool that is used with the attachment). Failure to follow all instructions may result in electric shock, fire and/or serious personal injury.

SAVE THESE INSTRUCTIONS

Safety Rules for WORKSTATION

Unplug tool before setting up in table, making adjustments or changing bits.

Securely fasten WORKSTATION to a stable table or platform before operating.

Know how to shut off the tool! Position the tool so that switch is readily accessible to quickly shut off in an emergency.

Route the cord away from the bit or cutting area. Cutting into live electrical wires may result in a shock, burn or electrocution.



Wear eye, ear protection and dust mask. Using personal safety devices and working in safe environment reduces risk of injury.

Do not wear gloves or loose clothing during operation of the tool.

Match the appropriate bit and its speed to your application. Do not use bits that have a cutting diameter that exceed the capacity of the tool. The drill press stand is intended primarily for light duty use on wood, plastic and metal. Overloading the tool can lead to personal injury or tool failure.

Never use dull or damaged bits. Sharp bits must be handled with care.

Always make sure the workpiece is free from nails and other foreign objects.

Before operation clamp workpiece or brace against column. Never hold a small workpiece in one hand and bring the drill down. Clamping the workpiece allows you to use both hands to control the tool.

Use a “V” block for supporting round stock such as tubes or rods when drilling. Round material such as dowel rods, pipes or tubing have a tendency to roll while being cut, and may cause the bit to “bite” or the workpiece to jump toward you.

You must set and lock tool head into the desired position and depth of cut when performing operations other than drilling. Bring the workpiece to the tool and allow for sufficient space between your hand and the spinning bit.

This Drill Press was designed for drilling, sanding, brushing, polishing or grinding applications, other applications may present hazards that cannot be adequately guarded.

If the side of any rotating accessory is used to perform the work, for example a sanding drum, the workpiece must be positioned on the side of the accessory that rotates against the feed direction of the workpiece. Placing the workpiece on the side of the accessory where the feed direction and accessory rotation are same may cause the workpiece to be pulled by the rotating accessory and lead to loss of control during operation.

Never start the tool when the bit is engaged in the material.

Do not reach in the area of the spinning bit. The proximity of the spinning bit to your hand may not always be obvious. Workpiece could shift or your hand could slip during operation.

Wear a dust protection mask when working with materials which produce dust that is detrimental to health; inform yourself beforehand about the materials to be worked on.

After changing the bits or making any adjustments, make sure the collet nut and any other adjustment devices are securely tightened.

Never touch the bit during or immediately after the use. Contact with a spinning bit will cause injury and after use the bit is too hot to be touched by bare hands.

Do not leave a running tooling unattended, turn power off. Only when tool comes to a complete stop it is safe to remove workpiece and clean the stand.

Assembly (Figure A)

ATTACHMENT FOR USE WITH DREMEL ROTARY MODELS 285, 395, 398, 400, 780 AND 800.

Your Dremel Workstation 220 will convert rotary tools to a drill press for drilling, to a tool holder for sanding or polishing, or to a flex shaft tool stand.

1. Assemble the tube to the base and secure with hex bolt and square nut.
2. Insert the square nut (short end first) into the press and install the height adjustment lever. Place the press onto the tube and tighten lever.

3. With press in vertical position, insert square nut inside the drill press and assemble the angle lock lever to the press.
4. Install the crow's nest on the tube with small holes facing up.
5. Install the cord holder.
6. Install the hanger wire and cap.
7. The base must be secured to a workbench using the appropriate size hardware (not supplied).

Operating

IMPORTANT! Workstation is for use with only one tool at time. Do not hang tool on hanger assembly when another tool is mounted in the press.

The Crow's Nest tool storage will hold the following tools (not supplied):

- Drill bit set (Model 628 or 636)
- Rotary tool wrench
- Mounting wrench
- Bits with shank size less than or equal to 3.2 mm
- Rotary tool collets (Models 480, 481, 482, 483)

NOTE: The drill bits are held in the tool by a collet system. The bit may be installed before or after the rotary tool is installed in the drill press.

1. Depress and hold the shaft lock button while rotating the collet nut and shaft. Continue to rotate the collet nut and shaft until the lock engages and holds the shaft (**figure B**).
2. Use the wrench from your Dremel Rotary Tool and turn the collet nut counterclockwise to loosen it.
3. Release the shaft lock button.
4. Insert the drill bit into the collet as deep as possible to ensure proper gripping of the bit and to minimize run out. Do not insert the bit so far that the flutes touch the collet or collet nut to avoid chipping or cracking the bit.

5. Re-engage the shaft lock button and tighten the collet nut; first by hand, then using the wrench until bit is held securely.
6. Insert the rotary tool into the press with the spindle lock to the front. Clamp the tool to the tool bracket by tightening the clamp nut (**figure C**).

NOTE: Models 398, 400 and 800 will mount with the spindle lock to the right.

NOTE: When clamping rotary tool in holder, make sure tool is seated properly and vent openings are not covered.

7. Twist the top tube counterclockwise to loosen and enable the tube to be adjusted up or down. After desired height is achieved, turn tube clockwise to tighten it (**figure E**).

NOTE: Tube should not be extended when tool is being used in tool holder.

Insert the cord into the cord clips (**figure D**). Holder will keep cord away from the work area.

8. The Depth Stop is used when you wish to drill holes to a measured depth. A scale on the press housing is provided for your convenience.

Set the depth stop adjustment to the desired depth and tighten depth stop lock knob (**figure D**).

Operation (continued)

9. The Angle Lock Levers are used to secure the tool either vertically or at a 90° angle. Tool may be used at a 15°, 30°, 45°, 60°, 75° or 90° angle for sanding, polishing, grinding or brushing application (**figure G**).
Loosen the large and small levers and rotate the tool, then securely tighten both angle lock levers (**figure C and D**).
10. The Height Adjustment Lever is used to secure the press on the tube at the proper height.
Loosen the lever and move the press/tool assembly to the desired position, then tighten the height adjustment lever (**figure D**).
11. Mark the hole locations on the workpiece and center punch at these locations. Center punching will prevent walking of the drill point and ensure proper hole location.
12. Secure the workpiece to the base before drilling. This will keep the workpiece from climbing the drill bit or spinning. The benefit is safety and better quality work. Hold downs clamps (not included) are very good for holding workpiece, or use a small utility vise for holding when drilling (**figure H**).
13. Loosen the Height Adjustment Lock Knob 1/2 turn and move the press on the tube until drill bit tip is near the workpiece (**figure F**). A maximum of 6 mm between drill bit tip and workpiece is recommended. Retighten lock knob.
14. Grasp the Press Handle and pull down to drill hole.

Helpful hints

When drilling round pieces, use a “V” block or vise. To drill a hole in the center of a round piece, a center punch mark is necessary (**figure I**). Use center punch to make center punch mark (not included).

Avoid force feeding to such an extent that the motor speed is noticeably reduced. Also, feed carefully when approaching point of breakthrough. This will avoid making ragged breakthrough edges.

Making optional hold down clamps for your workstation 220

Hold down clamps can be fabricated out of wood, steel or aluminum, depending on your application (**figure J**).

1. Cut or saw material to desired length, width and height.
2. Drill a hole using a 8 mm drill bit in the desired location, through the clamp and spacer.
3. Mount the hold down clamps using a 8 mm - 40 mm or 50 mm length carriage bolts with matching washers and wing nuts.

4. Mount to base by sliding the head of the carriage bolt up through the bottom of the base with the wing nuts on top.

When using hold down clamps on workpieces larger than 6 mm in thickness, always use a spacer block to support the back side of the clamp. For the best support, the spacer block should be cut about 3 mm shorter in height than the workpiece.

Service

In case of a complaint, send the tool undismantled together with proof of purchase to your

dealer or to the nearest Dremel service station (addresses are listed on www.dremel.com).

Sicherheitsregeln zu elektrischen Werkzeugen



VORSICHT

Lesen Sie alle Anleitungen gründlich durch (einschließlich der Anleitungen zu dem Werkzeug, mit dem das Vorsatzgerät verwendet wird). Falls nicht alle Anleitungen befolgt werden, kann dies zu Stromschlägen, Brand oder Verletzungen führen.

BEWAHREN SIE DIESE ANLEITUNGEN GUT AUF

Sicherheitsregeln für WORKSTATION

Ziehen Sie das Stromkabel des Werkzeugs ab, bevor Sie es am Arbeitstisch einrichten, Einstellungen vornehmen oder Zubehör wechseln.

Befestigen Sie die WORKSTATION an einem stabilen Tisch oder einer Plattform, bevor Sie damit arbeiten.

Machen Sie sich mit dem Abschalten des Werkzeugs vertraut! Positionieren Sie das Werkzeug so, dass der Schalter leicht zugänglich ist, um das Werkzeug im Notfall schnell ausschalten zu können.

Führen Sie das Kabel vom Zubehör bzw. Schnittbereich weg. Schnitte in ein Stromkabel können zu Stromschlägen, Verbrennungen oder sogar zu Todesfällen führen



Tragen Sie einen Augen- und Ohrenschutz sowie eine Staubmaske. Durch eine sichere Arbeitsumgebung können Sie das Verletzungsrisiko entscheidend verringern.

Tragen Sie beim Arbeiten mit dem Werkzeug keine Handschuhe und keine losen Kleidungsstücke.

Stimmen Sie das verwendete Zubehör und die Geschwindigkeit auf Ihre Anwendung ab. Verwenden Sie keine Zubehöre mit einem Fräsdurchmesser, der die Kapazität des Werkzeugs übersteigt. Der Bohrständer wurde hauptsächlich für leichte Arbeiten an Holz, Kunststoff und Metall konzipiert. Eine Überlastung des Werkzeugs kann zu Verletzungen oder einem Ausfall des Werkzeugs führen.

Verwenden Sie keine stumpfen oder beschädigten Zubehöre. Scharfe Zubehöre müssen vorsichtig behandelt werden.

Vergewissern Sie sich stets, dass das Werkstück keine Nägel oder andere Fremdkörper aufweist.

Klemmen Sie das Werkstück bzw. die Strebe vor der Bearbeitung an die Säule. Halten Sie niemals ein kleines Werkstück einfach in der Hand, während Sie den Bohrer nach unten führen. Wenn Sie das Werkstück mit Klammern befestigen, können Sie das Werkzeug mit beiden Händen halten und haben eine bessere Kontrolle.

Verwenden Sie beim Bohren einen „V“-Block als Stütze für runde Materialstücke wie beispielsweise für Rohre oder Rundstäbe. Runde Materialstücke wie beispielsweise Dübelstifte oder Rohre neigen beim Fräsen dazu, seitlich wegzurollen; dabei kann das Zubehör sich festfressen oder das Werkstück plötzlich springen.

Bei der Durchführung anderer Arbeitsgänge als Bohren müssen Sie den Werkzeugkopf einstellen und in der gewünschten Position und Schnitttiefe fixieren. Bringen Sie das Werkstück an das Werkzeug und lassen Sie genügend Platz zwischen Ihrer Hand und dem rotierenden Zubehör.

Dieser Bohrständer wurde zum Bohren, Schmirgeln, Bürsten, Polieren oder Schleifen konzipiert; andere Arbeitsgänge können Gefahren bergen, gegen die die Anordnung nicht ausreichend schützt.

Wenn die Seite eines rotierenden Zubehörteils, beispielsweise eines Schleifbands, zur Durchführung der Arbeit verwendet wird, muss das Werkstück an der Seite des Zubehörteils positioniert werden, das gegen die Vorschubrichtung des Werkstücks dreht. Durch die Platzierung des Werkstücks auf der Seite des Zubehörteils, auf der die Vorschubrichtung und die Rotationsrichtung übereinstimmen, kann das Werkstück durch das rotierende Zubehörteil eingezogen werden, sodass der Bediener die Kontrolle über das Werkstück verliert.

Starten Sie das Werkzeug niemals, während das Zubehör Kontakt mit dem Material hat.

Halten Sie Ihre Hände stets außerhalb des Bereichs der rotierenden Zubehöre. Die Nähe der rotierenden Zubehöre zu Ihren Händen ist nicht immer deutlich zu erkennen. Das Werkstück könnte sich bei der Bearbeitung verschieben, oder Ihre Hand könnte wegrutschen.

Tragen Sie eine Staubschutzmaske, wenn Sie mit Materialien arbeiten, bei denen gesundheitsschädlicher Staub entsteht. Informieren Sie sich zuvor über die Beschaffenheit der Materialien, mit denen Sie arbeiten.

Vergewissern Sie sich nach dem Wechseln von Zubehör oder dem Einstellen der Komponenten immer, dass die Spannmutter und alle weiteren Einstellungsschrauben fest angezogen sind.

Berühren Sie niemals das Zubehör während oder unmittelbar nach der Arbeit. Der Kontakt mit einem rotierenden Zubehör führt zu Verletzungen, und unmittelbar nach der Bearbeitung ist das Zubehör so heiß, dass es nicht mit bloßen Händen angefasst werden sollte.

Lassen Sie ein Werkzeug niemals unbeaufsichtigt weiterlaufen, sondern schalten Sie es aus. Erst wenn ein Werkzeug vollständig zum Stillstand gekommen ist, können Sie das Werkstück gefahrlos abnehmen und den Ständer reinigen.

Montage (Abbildung A)

VORSATZGERÄT FÜR DIE DREMEL MODELLE 285, 395, 398, 400, 780 UND 800.

Ihre Dremel Workstation 220 verwandelt Ihr Rotationswerkzeug in einen Bohrständer zum Bohren, in eine Werkzeughalterung zum Schleifen bzw. Polieren oder in eine Haltevorrichtung für die biegsame Welle.

1. Montieren Sie das Rohr an der Grundplatte und sichern Sie es mit der Sechskantschraube und der quadratischen Mutter.
2. Setzen Sie die quadratische Mutter (mit dem kurzen Ende zuerst) in den Ständer ein und bringen Sie den Höheneinstellungshebel an. Bringen Sie den Ständer an dem Rohr an und ziehen Sie den Hebel fest.

3. Während der Bohrständer in einer vertikalen Position steht, setzen Sie die quadratische Mutter innen in den Ständer ein und montieren Sie den Winkelfeststellhebel an dem Ständer.
4. Bringen Sie die Werkzeughalterung an dem Rohr an, sodass die kleinen Öffnungen nach oben zeigen.
5. Bringen Sie den Kabelhalter an.
6. Bringen Sie die Kabel und die Kappe für die Aufhängevorrichtung an.
7. Die Grundplatte muss über eine geeignete Vorrichtung (nicht im Lieferumfang enthalten) fest mit einer Werkbank verbunden sein.

Betrieb

WICHTIG! Die Workstation kann nicht mit mehreren Werkzeugen gleichzeitig verwendet werden. Hängen Sie kein Werkzeug an die Aufhängevorrichtung, wenn ein anderes Werkzeug in den Ständer eingespannt ist.

Die Werkzeughalterung kann die folgenden Werkzeuge aufnehmen (Werkzeuge nicht im Lieferumfang enthalten):

- Bohrersatz (Modell 628 oder 636)
- Schlüssel für Rotationswerkzeug
- Montageschlüssel
- Zubehör mit Schaftdurchmesser 3,2 mm oder weniger
- Spannzangen für Rotationswerkzeug (Modelle 480, 481, 482, 483)

HINWEIS: Die Bohreinsätze werden von einem Spannzangensystem in dem Werkzeug festgehalten. Das Zubehör kann eingesetzt werden, bevor oder nachdem das Rotationswerkzeug in den Bohrständer eingesetzt wurde.

1. Drücken Sie den Spindelarretierungsknopf und halten Sie ihn gedrückt, während Sie die Spannmutter und die Spindel drehen. Drehen Sie die Spannmutter und die Spindel weiter, bis die Arretierung einrastet und die Spindel festhält (**Abbildung B**).
2. Verwenden Sie den Schraubenschlüssel Ihres Dremel Rotationswerkzeugs und drehen Sie die Spannmutter gegen den Uhrzeigersinn, um sie zu lösen.
3. Lassen Sie den Spindelarretierungsknopf wieder los.
4. Setzen Sie den Bohreinsatz so tief wie möglich in die Spannzange ein, um sicherzustellen, dass die Zange das Zubehör fest greift und kein Unrundlauf auftritt. Setzen Sie das Zubehör nicht so tief ein, dass die Stege die Spannzange oder die Spannmutter berühren; so vermeiden Sie, dass das Zubehör abscherf oder bricht.

5. Geben Sie den Spindelarretierungsknopf wieder frei und ziehen Sie die Spannmutter an; zunächst von Hand und schließlich, wenn das Zubehör richtig sitzt, mit dem Schlüssel.
6. Setzen Sie das Rotationswerkzeug so in den Bohrständer ein, dass der Spindelarretierungsknopf zur Vorderseite hin zeigt. Klemmen Sie das Werkzeug in der Werkzeughalterung fest, indem Sie die Klemmenmutter festziehen (**Abbildung C**).

HINWEIS: Die Modelle 398, 400 und 800 werden so montiert, dass die Spindelarretierung nach rechts zeigt.

HINWEIS: Vergewissern Sie sich beim Festklemmen des Rotationswerkzeugs in der Halterung, dass das Werkzeug fest sitzt und die Ventilationsöffnungen nicht verdeckt sind.

7. Drehen Sie das obere Rohr gegen den Uhrzeigersinn, um es zu lösen, sodass es nach oben oder unten ausgerichtet werden kann. Nachdem die gewünschte Höhe erreicht ist, drehen Sie das Rohr im Uhrzeigersinn, um es festzuziehen (**Abbildung E**).

HINWEIS: Das Rohr sollte nicht ausgezogen sein, wenn das Werkzeug in der Werkzeughalterung verwendet wird.

- Setzen Sie das Kabel in die Kabel-Clips ein (**Abbildung D**). Die Halterung hält das Kabel von der Arbeitsfläche weg.
8. Sie verwenden den Tiefenstopp, wenn Sie Löcher mit einer vorgegebenen Tiefe bohren wollen. Für eine einfachere Einstellung ist das Gehäuse der Bohrständers mit einer Skala versehen.

Stellen Sie den Tiefenstopp auf die gewünschte Tiefe ein und ziehen Sie den Sperrknopf für den Tiefenstopp fest (**Abbildung D**).

Betrieb (Forts.)

9. Die Winkelfeststellhebel werden zum Sichern des Werkzeugs in vertikaler Position oder in einem Winkel von 90° verwendet. Das Werkzeug kann beim Schmirgeln, Polieren, Schleifen oder Bürsten in einem Winkel von 15°, 30°, 45°, 60°, 75° oder 90° verwendet werden (**Abbildung G**).
- Lösen Sie die großen und kleinen Hebel und drehen Sie das Werkzeug, und ziehen Sie anschließend beide Winkelfeststellhebel fest (**Abbildungen C und D**).
10. Mit dem Höheneinstellungshebel wird der Bohrständler in der richtigen Höhe an dem Rohr befestigt.
- Lösen Sie den Hebel und verschieben Sie die Anordnung aus Werkzeug und Ständer an die gewünschte Position, und ziehen Sie den Höheneinstellungshebel fest (**Abbildung D**).
11. Markieren Sie die Position der Löcher an dem Werkstück mit einem Körner. Durch die Verwendung eines Körners erzielen Sie eine korrekte Bohrposition und verhindern, dass der Bohrer vom Bohrpunkt weg wandert.
12. Sichern Sie das Werkstück an der Grundplatte, bevor Sie mit dem Bohren beginnen. Dadurch wird verhindert, dass das Werkstück am Bohreinsatz „hochklettert“ oder sich mit dem Bohrer dreht. Das Ergebnis ist eine höhere Sicherheit und Qualität. Niederhalteklammern (nicht im Lieferumfang enthalten) bieten eine gute Möglichkeit, das Werkstück festzuhalten. Sie können aber auch einen kleinen Schraubstock verwenden, um das Werkstück beim Bohren festzuhalten (**Abbildung H**).
13. Lösen Sie den Sperrknopf für die Höheneinstellung um eine halbe Drehung und verschieben Sie den Bohrständler am Rohr, bis die Spitze des Bohreinsatzes nahe am Werkstück liegt (**Abbildung F**). Empfohlen wird ein maximaler Abstand von 6 mm zwischen der Spitze des Bohreinsatzes und dem Werkstück. Ziehen Sie den Sperrknopf wieder fest.
14. Fassen Sie den Griff des Bohrständlers und ziehen Sie ihn nach unten, um ein Loch zu bohren.

Hilfreiche Tipps

Verwenden Sie beim Bohren von Rundstücken einen „V“-Block oder einen Schraubstock. Wenn Sie in der Mitte eines Rundstücks ein Loch bohren wollen, muss die Mitte des Werkstücks mit einem Körner gekennzeichnet werden (**Abbildung I**). (Körner nicht im Lieferumfang enthalten).

Vermeiden Sie einen hohen Kraftaufwand. Die Drehzahl des Motors sollte sich beim Bohrvorgang nicht wesentlich verringern. Setzen Sie kurz vor dem Durchbruchpunkt nur einen geringen Vorschub ein. So vermeiden Sie ein starkes Ausfransen der Ränder des Bohrlochs an der Austrittsseite.

Herstellen optionaler Niederhalteklammern für Ihre Workstation 220

Niederhalteklammern können je nach Anwendung aus Holz, Stahl oder Aluminium sein (**Abbildung J**).

1. Schneiden oder sägen Sie das Material auf die gewünschte Länge, Breite und Höhe.
2. Bohren Sie an der gewünschten Stelle mit einem 8-mm-Bohreinsatz ein Loch durch die Klammer und den Abstandhalter.
3. Montieren Sie die Niederhalteklammern mit einer Schlossschraube von 8 mm - 40 mm oder 50 mm Länge mit passenden Unterlegscheiben und Flügelmuttern.

4. Montieren Sie die Anordnung an der Grundplatte, indem Sie den Kopf der Schlossschraube nach oben durch den Boden der Grundplatte schieben, sodass die Flügelmuttern oben liegen.

Wenn Sie Niederhalteklammern an Werkstücken mit einer Stärke über 6 mm verwenden, stützen Sie die Rückseite der Klammer mit einem Abstandhalter. Für eine optimale Stütze sollte der Abstandhalter ca. 3 mm weniger hoch sein als das Werkstück.

Service

Schicken Sie bei einer Reklamation das Werkzeug unzerlegt zusammen mit dem Kaufnachweis an Ihren

Händler oder an Ihre nächstgelegene Dremel Service-stelle (die Adresse finden Sie unter www.dremel.com).

Consignes de sécurité concernant l'utilisation de l'outillage électrique



⚠️ AVERTISSEMENT

Veillez prendre connaissance de la totalité des instructions (y compris les instructions relatives à l'outil qui est utilisé avec l'adaptation). Ne pas respecter la totalité des instructions peut conduire à une électrocution, à un incendie et/ou des blessures corporelles.

CONSERVEZ CES INSTRUCTIONS

Règles de sécurité pour la WORKSTATION

Débranchez l'outil avant de l'installer sur la colonne, de procéder à des réglages ou avant de changer d'accessoire.

Fixez solidement la WORKSTATION sur une table ou un plateau stable avant de l'utiliser.

Localisez le bouton d'arrêt de l'outil ! Placez l'outil de manière à ce que le bouton d'arrêt soit immédiatement accessible en cas d'urgence.

Faites cheminer le câble loin de l'accessoire ou de la zone de coupe. Si le câble sous tension est happé par la fraise, cela peut provoquer un incendie, des brûlures ou une électrocution.



Portez toujours une protection oculaire et auditive, ainsi qu'un masque anti-poussière. L'utilisation d'un équipement de protection individuelle et un environnement de travail sécurisé réduit le risque de blessure.

Pour utiliser l'outil, ne portez pas de gants ou de vêtements amples.

Adaptez le choix de l'outil et sa vitesse d'utilisation en fonction des besoins de votre application. N'utilisez pas d'accessoire dont le diamètre de coupe dépasse la capacité de l'outil. Cette colonne de perçage est destinée principalement à une utilisation non intensive sur du bois, du plastique et du métal. Surcharger l'outil peut provoquer des dommages corporels ou la détérioration de l'outil.

N'utilisez jamais de fraises émoussées ou endommagées. Les fraises tranchantes doivent être manipulées avec précaution.

Assurez-vous toujours que la pièce à travailler ne comporte ni clous ni corps étrangers.

Avant de commencer, fixez la pièce à travailler sur la table ou contre la colonne. Ne jamais tenir la pièce d'une main en abaissant la perceuse de l'autre. La fixation d'une pièce à l'aide d'un serre-joint vous permet de contrôler l'outil à deux mains.

Utilisez une cale en forme de « V » pour soutenir pendant le perçage les pièces cylindriques comme les tubes ou les tourillons. Les matériaux de section ronde comme les tourillons, les tubes ou tuyaux ont tendance à rouler lors de la coupe et

sont susceptibles »d'accrocher« la fraise ou de faire sauter l'outil dans votre direction.

Pour toutes les opérations autres que le perçage, il faut pointer puis bloquer la tête de l'outil dans la position et à la profondeur désirées. Approchez la pièce à travailler vers l'outil et veillez à laisser un espace suffisant entre votre main et l'accessoire en rotation.

Cette colonne a été conçue pour le perçage, le ponçage, le brossage, le polissage ou le meulage; d'autres utilisations peuvent présenter des risques qui ne peuvent pas être palliés de manière appropriée.

Si on utilise pour travailler le côté d'un accessoire en rotation, d'un tambour de ponçage par exemple, il faut passer la pièce en sens contraire au sens de rotation de l'embout. Passer la pièce dans le même sens que celui de l'accessoire en rotation peut happer et tirer la pièce et provoquer ainsi une perte de contrôle pendant l'opération.

Ne démarrez jamais l'outil lorsque la fraise est engagée dans le matériau à travailler.

Ne jamais mettre les mains dans la zone de rotation de la fraise. La proximité de la fraise en mouvement n'est pas toujours évidente. La pièce peut glisser ou votre main déraiper pendant l'opération.

Portez un masque anti-poussière lorsque vous travaillez des matériaux qui produisent une poussière présentant des risques pour la santé; prenez des renseignements préalables sur le matériau que vous envisagez de travailler.

Après avoir changé de fraise ou avoir procédé à des réglages, vérifiez que l'écrou du porte-outil et les autres dispositifs de réglages sont bien serrés.

Ne touchez jamais la fraise pendant ou immédiatement après l'utilisation. Le contact avec la fraise en rotation causerait de sérieuses blessures; le contact avec la fraise juste après utilisation provoquerait des brûlures.

Ne laissez pas l'outil tourner sans surveillance, il est plus prudent de l'éteindre. Il est également plus sûr d'attendre l'arrêt complet de l'outil pour enlever la pièce et nettoyer la colonne.

Montage (Figure A)

ADAPTATION POUR OUTILS ROTATIFS DREMEL MODELES 285, 395, 398, 400, 780 ET 800.

Votre Workstation 220 Dremel permet de transformer les outils rotatifs en colonne pour percer, poncer, polir, ou en support pour arbre flexible.

1. Insérez le tube de colonne dans l'embase et fixez avec le boulon à tête hexagonale et l'écrou carré.
2. Insérez l'écrou carré (petit côté en premier) dans le berceau et installez la clé de réglage de la hauteur. Engagez le berceau sur le tube et serrez la clé.
3. Le berceau étant en position verticale, insérez l'écrou carré dans le berceau et installez la clé de blocage angulaire sur la colonne.
4. Installez le boîtier de rangement sur le tube, les petits trous orientés vers le haut.
5. Installez le passe-câble.
6. Installez le support de câble et le capuchon.
7. L'embase doit être fixée à l'établi à l'aide de la boulonnerie ou des fixations appropriées (non fournies).

Utilisation

IMPORTANT ! La Workstation est prévue pour être utilisée avec un seul outil à la fois. Ne suspendez pas un autre outil alors qu'un outil est déjà monté sur la colonne.

Le boîtier de rangement est prévu pour les outils suivants (non fournis):

- Jeu de mèches (Modèle 628 ou 636)
- Clé plate pour outil rotatif
- Clé de serrage
- Accessoires dont le diamètre de la tige est inférieur ou égal à 3,2 mm
- Pincettes (Modèles 480, 481, 482, 483)

NOTE : Les mèches sont maintenues dans l'outil grâce à un système de pince. L'accessoire peut être installé avant ou après avoir posé l'outil rotatif sur la colonne de perçage.

1. Maintenez enfoncé le bouton de blocage d'arbre tout en faisant tourner l'écrou et l'arbre. Continuez à faire tourner l'écrou et l'arbre jusqu'à ce que le blocage s'enclenche et immobilise l'arbre (**figure B**).
2. Utilisez la clé de votre outil rotatif Dremel pour tourner l'écrou en sens inverse des aiguilles d'une montre pour le desserrer.
3. Libérez le bouton de blocage d'arbre.
4. Insérez la mèche dans la pince aussi loin que possible afin qu'elle soit bien maintenue et réduise l'excentricité en rotation. Ne pas insérer la fraise au point que le haut de ses tranchants touche le porte-embout ou son écrou afin d'éviter que la fraise ne s'écaille ou n'éclate.

5. Engagez de nouveau le bouton de blocage d'arbre et serrez l'écrou, d'abord à la main, d'abord à la main, puis à l'aide de la clé de serrage jusqu'à ce que la mèche soit solidement maintenue.
6. Insérez l'outil rotatif dans le berceau, le blocage d'arbre étant orienté vers l'avant. Fixez fermement l'outil à son étrier en serrant la vis de blocage (**figure C**).

NOTE : Les modèles 398, 400 et 800 se montent avec le bouton de blocage orienté à droite.

NOTE : Avant de fixer l'outil sur le berceau, vérifiez que l'outil y est correctement assis et que les orifices de ventilation ne sont pas obstrués.

7. Faites tourner le tube supérieur en sens inverse des aiguilles d'une montre pour le desserrer et le régler en hauteur. La hauteur désirée étant obtenue, tournez le tube dans le sens des aiguilles d'une montre pour le bloquer de nouveau (**figure E**).

NOTE : On ne devrait pas procéder à l'extension du tube quand l'outil est suspendu au support d'outil.

Insérez le câble dans les clips (**figure D**). Le passe-câble permet de maintenir le câble loin de la zone de travail.

8. La butée de profondeur sert à percer des trous de profondeur identique. Les graduations portées sur le berceau sont prévues à cet effet.

Placez le réglage de profondeur à la position voulue et serrez la molette de blocage de la profondeur (**figure D**).

Utilisation (suite)

9. Les clés de blocage angulaire permettent de fixer l'outil verticalement ou à un angle de 90°. Pour les applications de ponçage, de polissage, de meulage ou de brossage, il est possible d'utiliser l'outil à des angles de 15°, 30°, 45°, 60°, 75° ou 90° (**figure G**).
Desserrez la grande et la petite clé, faites tourner l'outil et resserrez fermement les deux clés de blocage angulaire (**figure C et D**).
10. La clé de réglage de la hauteur permet de fixer à la hauteur voulue le berceau sur le tube.
Desserrez la clé et déplacez l'ensemble outil/berceau à la position voulue, puis resserrez la clé de réglage de la hauteur (**figure D**).
11. Marquez d'un coup de pointeau l'emplacement des trous sur la pièce à travailler. Le coup de pointeau préalable permet de centrer la mèche avec précision et d'éviter qu'elle ne dérape hors de l'emplacement prévu.
12. Fixez la pièce à travailler sur l'embase avant de commencer à percer. Ceci empêchera que la pièce ne soit happée ou entraînée en rotation par le foret. En contrepartie vous gagnerez en sécurité et en qualité de travail. Des serre-joints (non fournis) sont très utiles pour maintenir une pièce à travailler; une alternative consiste à employer un petit étau pour bloquer la pièce pendant le perçage (**figure H**).
13. Desserrez d'un 1/2 tour la clé de réglage de la hauteur et déplacez le berceau sur la colonne jusqu'à ce que le foret soit près de la pièce à travailler (**figure F**). Il est recommandé de laisser un espace maximum de 6 mm entre la pointe du foret et la pièce à travailler. Resserrez la clé de réglage.
14. En agissant sur la poignée de manœuvre, abaissez le berceau pour percer le trou.

Conseils utiles

Pour percer des pièces cylindriques, utilisez une calebane « V » ou un étau. Pour percer un trou au milieu d'une surface courbe, il est nécessaire de marquer le trou d'un coup de pointeau (**figure I**). (Le pointeau n'est pas fourni).

Évitez de forcer sur l'outil au point que le régime moteur en soit notablement réduit. Relâchez également la pression exercée sur l'outil au moment où le foret va traverser la pièce. Ceci évitera de faire éclater le pourtour du trou du côté non exposé.

Fabrication facultative de butées de blocage pour votre Workstation 220

Vous pouvez fabriquer des butées de blocage avec du bois, de l'acier ou de l'aluminium, selon les besoins de votre application (**figure J**).

1. Coupez ou sciez le matériau à la longueur, largeur et hauteur désirées.
2. Percez un trou à l'aide d'un foret de 8 mm, percez un trou à l'endroit voulu, pour traverser l'écrou de blocage et l'entretoise.
3. Montez les butées de blocage avec des boulons coulissants de 8 mm et d'une longueur de 40 mm ou 50 mm, avec rondelles et écrous papillons appropriés.

4. Engagez dans la rainure de l'embase la tête du boulon coulissant en laissant sur le dessus l'écrou papillon.

Lorsque vous utilisez ces butées de blocage avec des pièces d'une épaisseur de plus de 6 mm, montez toujours une entretoise pour soutenir l'arrière de la butée. Pour obtenir un meilleur résultat, l'entretoise doit avoir une hauteur inférieure de 3 mm à celle de la pièce à travailler.

Service

En cas de réclamation, envoyez l'outil non démonté, accompagné de la preuve d'achat, à votre revendeur ou au centre technique Dremel le plus pro-

che (la liste des adresses des centres technique Dremel figure sur le site www.dremel.com).

Veiligheidsvoorschriften voor elektrisch gereedschap



⚠ WAARSCHUWING

Lees alle instructies aandachtig door (ook instructies van het gereedschap dat met het hulpstuk wordt gebruikt). Worden niet alle instructies opgevolgd, dan kan dit resulteren in elektrische schok, brand en/of ernstig persoonlijk letsel.

BEWAAR DEZE INSTRUCTIES

Veiligheidsvoorschriften voor WORKSTATION

Trek stekker van het gereedschap uit het stopcontact, voordat dit in het werkstation wordt geplaatst, voordat instellingen worden verricht of accessoires worden verwisseld.

Bevestig vóór gebruik het WORKSTATION stevig op een stabiele ondergrond.

Weet hoe u het gereedschap moet uitschakelen! Plaats het gereedschap zodanig dat de schakelaar ervan gemakkelijk toegankelijk is en in geval van nood snel kan worden uitgeschakeld.

Houd het snoer uit de buurt van de accessoire of het te bewerken gebied. Snijden in spanningvoerende draden kan resulteren in een elektrische schok, brandwonden of elektrocutie.



Draag een veiligheidsbril, gehoorbescherming en een stofmasker. Het gebruik van een persoonlijke veiligheidsuitrusting en werken in een veilige omgeving beperken het risico van letsel.

Draag geen handschoenen of loszittende kleding tijdens gebruik van het gereedschap.

Gebruik de juiste accessoire en snelheid voor uw toepassing. Gebruik geen accessoires die een snijdiameter hebben die groter is dan de capaciteit van het gereedschap. De boorstandaard is in eerste instantie bedoeld voor lichte werkzaamheden in hout, kunststof en metaal. Overbelasting van het gereedschap kan resulteren in persoonlijk letsel of beschadiging van het gereedschap.

Gebruik nooit botte of beschadigde accessoires. Scherpe accessoires moeten voorzichtig gehanteerd worden.

Zorg er altijd voor dat het werkstuk vrij is van spijkers en andere vreemde voorwerpen.

Klem vóór gebruik het werkstuk vast of gebruik de kolom als steun. Houd nooit een klein werkstuk in één hand terwijl u de boor omlaag brengt met de andere. Vastklemmen van het werkstuk stelt u in staat om beide handen te gebruiken voor controle over het gereedschap.

Gebruik een “V”-blok voor ondersteuning van ronde voorwerpen zoals buizen of stangen bij het boren. Rond materiaal zoals deuvilstaven, pijpen of buizen hebben de neiging te gaan rollen tijdens het door-

slippen en kunnen “bijten” van de accessoire veroorzaken of het werkstuk kan naar u opspringen.

Bij het verrichten van andere bewerkingen dan boren moet u de kop van het gereedschap in de gewenste positie en op de gewenste diepte instellen en vergrendelen. Breng het werkstuk naar het gereedschap en laat voldoende ruimte tussen uw hand en de roterende accessoire.

Deze boorstandaard werd ontworpen voor boor-, schuur-, borstel-, polijst- of slijptoeepassingen, andere toepassingen kunnen zorgen voor gevaren waartegen onvoldoende bescherming kan worden geboden.

Als de zijkant van een roterende accessoire wordt gebruikt voor het verrichten van het werk, bijvoorbeeld een schuurtrommel, dan moet het werkstuk worden geplaatst aan de kant van de accessoire die tegen de voedingsrichting van het werkstuk roteert. Wordt het werkstuk geplaatst aan de kant van de accessoire waar de voedingsrichting en rotatierichting van de accessoire hetzelfde zijn, dan kan het werkstuk door de roterende accessoire worden gegrepen en kan dit resulteren in verlies van controle over het werkstuk tijdens de bewerking.

Start het gereedschap nooit, wanneer de accessoire in het materiaal zit.

Grijp niet in het bereik van de roterende accessoire. Het is niet altijd duidelijk, dat uw hand zich te dicht bij de roterende accessoire bevindt. Het werkstuk zou van plaats kunnen veranderen of uw hand zou kunnen uitglijden tijdens een bewerking.

Draag een stofmasker bij werken met materialen die stof produceren dat gevaarlijk is voor de gezondheid; win van tevoren informatie in over de materialen waarmee u gaat werken.

Zorg er na het wisselen van accessoires of verrichten van instellingen voor dat de spanmoer en alle andere instelrichtingen stevig vastgedraaid zijn.

Raak de accessoire tijdens of direct na gebruik nooit aan. Aanraking met een roterende accessoire veroorzaakt letsel en na gebruik is de accessoire te heet om met blote handen te worden aangeraakt.

Laat lopend gereedschap niet zonder toezicht achter, schakel alles uit. Alleen wanneer het gereedschap helemaal tot stilstand is gekomen, is het veilig om het werkstuk te verwijderen en de standaard schoon te maken.

Montage (afb. A)

HULPSTUK VOOR GEBRUIK MET DREMEL ROTATIEGEREEDSCHAP MODELLEN 285, 395, 398, 400, 780 EN 800.

Uw Dremel WORKSTATION 220 verandert rotatiegereedschappen in een kolomboor voor boorwerkzaamheden, in een gereedschapouder voor schuur- of polijstwerkzaamheden, of in een statief met flexibele as.

1. Monteer de buis aan de basisplaat en zet deze vast met de zeskantbout en vierkantmoer.
2. Plaats de vierkantmoer (kort uiteinde eerst) in de pers en installeer de hefboom voor hoogteinstelling. Plaats de pers op de buis en zet de hefboom vast.

3. Plaats bij verticale positie van de pers de vierkantmoer in de boorstandaard en monteer de hoekinstelknop aan de pers.
4. Installeer de accessoirehouder op de buis, waarbij de kleine gaten omhoog wijzen.
5. Installeer de snoerhouder.
6. Installeer de ophangdraad en het afdekplaatje.
7. De basisplaat moet met geschikt materiaal (niet bij de levering inbegrepen) op een werkbank worden vastgezet.

Werking

BELANGRIJK! WORKSTATION is uitsluitend bestemd voor gebruik met één gereedschap per keer. Hang geen gereedschap aan de ophangeenheid, als een ander gereedschap in de pers is gemonteerd.

In de accessoirehouder kunnen de volgende gereedschappen worden bewaard (niet bij de levering inbegrepen):

- Set boorkoppen (model 628 of 636)
- Sleutel van rotatiegereedschap
- Montagesleutel
- Accessoires met schachtmaten kleiner dan of gelijk aan 3,2 mm
- Spantangen van rotatiegereedschap (modellen 480, 481, 482, 483)

OPMERKING: De boren worden in het gereedschap vastgehouden middels een spantangstelsel. De accessoire kan worden ingezet voor of na het plaatsen van het rotatiegereedschap in de boorstandaard.

1. Druk de as-blokkeringsknop in en houd deze vast terwijl u de spanmoer en as draait. Ga door met het draaien van de spanmoer en as tot de vergrendeling vastklikt en de as vasthoudt (afb. B).
2. Gebruik de sleutel van uw Dremel rotatiegereedschap en draai de spanmoer tegen de klok in om deze los te draaien.
3. Ontgrendel de as-blokkeringsknop.
4. Zet de accessoire zo diep mogelijk in de spantang om te zorgen voor een goede houvast van de accessoire en om de uitloop tot een minimum te beperken. Zet de accessoire niet zo ver erin dat de groeven of spantang of spanmoer raken, om afsplinteren of scheuren van de accessoire te vermijden.

5. Vergrendel de as-blokkeringsknop weer en draai de spanmoer vast; eerst met de hand, dan met behulp van de sleutel tot de accessoire goed vastzit.
6. Plaats het rotatiegereedschap in de pers met de asvergrendeling naar voren. Klem het gereedschap in de gereedschapbeugel door de klemmoer vast te draaien (afb. C).

OPMERKING: De modellen 398, 400 en 800 worden gemonteerd met de asvergrendeling rechts.

OPMERKING: Zorg er bij het vastklemmen van het rotatiegereedschap in de houder voor, dat het gereedschap goed zit en dat de ventilatie-openingen niet worden bedekt.

7. Draai de bovenste buis tegen de klok in om deze los te maken en zo de buis omhoog of omlaag te stellen. Draai na bereiken van de gewenste hoogte de buis met de klok mee om deze vast te zetten (afb. E).

OPMERKING: De buis mag niet uitsteken, wanneer het gereedschap in de gereedschapouder wordt gebruikt.

Plaats het snoer in de snoerklemmen (afb. D). Deze houden het snoer uit de buurt van het te bewerken gebied.

8. De diepte-aanslag wordt gebruikt, wanneer u gaten tot een bepaalde diepte wilt boren. Er is voor uw gemak een schaalverdeling op de persbehuizing aangebracht.

Stel de diepte-aanslag in op de gewenste diepte en zet de vergrendelingsknop voor de diepte-aanslag vast (afb. D).

Werking (vervolg)

9. De hoekinstelknoppen worden gebruikt om het gereedschap in verticale stand of in een hoek van 90° vast te zetten. Voor schuur-, polijst-, slijp- of borstelwerkzaamheden kan het gereedschap worden gebruikt in een hoek van 15°, 30°, 45°, 60°, 75° of 90° (**afb. G**).
- Maak de grote en kleine instelknoppen los en roteer het gereedschap, draai vervolgens beide hoekinstelknoppen stevig vast (**afb. C en D**).
10. De hoogte-instelknop wordt gebruikt om de pers op de juiste hoogte vast te zetten op de buis.
- Maak de knop los en beweeg de pers/gereedschapeenheid naar de gewenste positie, draai vervolgens de hoogte-instelknop vast (**afb. D**).
11. Markeer de plekken voor de gaten op het werkstuk en sla op deze plekken een gaatje met een kornagel. Dit voorkomt dat de boorpunt gaat lopen en zorgt ervoor, dat het gat op de goede plaats terecht komt.
12. Maak het werkstuk vóór het boren vast aan de basisplaat. Hierdoor klimt het werkstuk niet in de boor of gaat het niet draaien. Het voordeel is veiligheid en een betere kwaliteit van het werk. Neerdrukklemmen (niet bij de levering inbegrepen) zijn uitstekend geschikt voor het vasthouden van het werkstuk, of gebruik een kleine bankschroef voor vasthouden van het werkstuk tijdens het boren (**afb. H**).
13. Draai de vergrendelingsknop voor hoogte-instelling een 1/2 slag los en beweeg de pers op de buis tot de punt van de boor zich dicht bij het werkstuk bevindt (**afb. F**). Een afstand van maximaal 6 mm tussen punt van boor en werkstuk wordt aangeraden. Draai de vergrendelingsknop weer vast.
14. Pak de bedieningshendel vast en trek deze omlaag om het gat te boren.

Handige tips

Gebruik voor het boren in rond materiaal een “V”-blok of bankschroef. Om een gat te boren in het midden van een rond werkstuk is een markering met de kornagel noodzakelijk (**afb. I**). Gebruik een kornagel om een markering te maken (niet bij de levering inbegrepen).

Vermijd een dusdanig geforceerde voeding dat de snelheid van de motor merkbaar wordt gereduceerd. Ga ook voorzichtig te werk bij het voeden, wanneer het punt van doorbraak wordt bereikt. Hierdoor worden gesplinterde randen vermeden.

Zelf neerdrukklemmen maken voor uw werkstation 220

Neerdrukklemmen kunnen worden gemaakt van hout, staal of aluminium, afhankelijk van uw toepassing (**afb. J**).

1. Snij of zaag het materiaal op de gewenste lengte, breedte en hoogte.
2. Boor een gat met een 8 mm boor op de gewenste plek, door de klem en het afstandstuk.
3. Monteer de neerdrukklemmen met 8 mm slotbouten van 40 mm of 50 mm lang met bijbehorende onderlegplaatjes en vleugelmoeren.
4. Monteer deze op de basisplaat door de kop van de slotbout omhoog te schuiven door de onderkant van de basisplaat met de vleugelmoeren aan de bovenkant.

Gebruik bij gebruik van neerdrukklemmen op werkstukken die dikker zijn dan 6 mm altijd een afstandblok ter ondersteuning van de achterkant van de klem. Voor de beste ondersteuning moet de afstandblok ongeveer 3 mm dunner dan het werkstuk worden gezaagd.

Service

Stuur bij klachten het gereedschap in gemonteerde toestand samen met het aankoopbewijs op naar uw dealer.

Säkerhetsregler för verktyget



Läs igenom och se till att du förstår alla instruktioner (inklusive instruktionerna för det verktyg som tillsatsen ska användas tillsammans med). Om anvisningarna inte följs kan olycksfall som elstötar, brand eller personskador inträffa.

SPARA DESSA INSTRUKTIONER

Säkerhetsregler för WORKSTATION

Lossa verktyget innan du fäster WORKSTATION, justerar den eller byter bits.

Fäst WORKSTATION väl i ett stadigt underlag innan du börjar använda den.

Ta reda på hur du stänger av verktyget! Placera verktyget så att strömbrytaren är lätt åtkomlig om du behöver stänga av det snabbt.

Lägg kabeln på tillräckligt avstånd från biten och skärområdet. Skär du i strömförande kablar kan det leda till skador i form av brand och elektriska stötar.



Använd ögon-, hörsel- och andningsskydd. Personlig säkerhetsutrustning och en säker miljö minskar skaderisken.

Använd inte handskar eller löst sittande kläder när du arbetar med verktyget.

Anpassa valet av bit och rotationshastigheten efter arbetsmomentet. Använd inte bits med större diameter än verktyget är anpassat för. Borrstativet är i första hand avsett för mindre arbeten i trä, plast och metall. Om du överbelastar verktyget kan det leda till personskador eller att verktyget går sönder.

Använd aldrig slöa eller skadade bits. Hantera vassa bits försiktigt.

Kontrollera alltid att arbetsstycket inte innehåller spikar eller andra föremål.

Fäst arbetsstycket i ett skruvstycke eller tryck det mot pelaren innan du börjar. Håll aldrig i arbetsstycket enbart med händerna. Fäster du arbetsstycket kan du kontrollera verktyget med båda händerna.

Använd ett "V"-block för att fästa runda arbetsstycken, t.ex. rör och stavar. Runda material, som cylindriska tappar, rör eller ledningar, har en tendens att rulla när de skärs, vilket kan resultera i att skåret eller arbetsstycket kan göra en hastig rörelse mot dig.

Ställ in och lås verktygshuvudet på önskad position och djup när du utför andra arbeten än borrar. För arbetsstycket mot verktyget. Se till att det finns tillräckligt med plats mellan händerna och biten.

Det här borrstativet är avsett för borrar, slipning, borstning, polering och putsning. Andra typer av arbeten kan medföra risker som inte kan förhindras att uppstå.

Om det inte går att använda sidan på något tillbehör för arbetet, t.ex. en sliptrumma, måste arbetsstycket placeras på den sida av tillbehöret som roterar mot arbetsstyckets matningsriktning. Placerar du arbetsstycket på sidan av tillbehöret, så att matningsriktningen och rotationen är desamma, kan arbetsstycket dras med av rotationen och leda till försämrad kontroll.

Starta aldrig verktyget när biten har kontakt med arbetsstycket.

Stick inte in handen i det roterande skärets arbetsområde. Det roterande skåret kan vara närmare än du tror. Arbetsstycket kan flyttas oväntat, och du kan slinta.

Använd andningsskydd om du sågar i material som avger hälsovådligt damm. Ta reda på i förväg vilken typ av material det rör sig om.

När du har bytt bits eller justerat något ska du alltid se till att nosmuttern och andra inställningsanordningar är ordentligt åtdragna.

Vidrör aldrig biten under eller omedelbart efter användningen. Biten kan vara varm direkt efter användningen. Vidrör du den kan du få brännskador.

Lämna inte verktyget obevakat utan att slå av strömbrytaren. Först när verktyget stannat helt är det säkert att ta bort arbetsstycket och rengöra stativet.

Montering (Figure A)

TILLSATSEN ÄR AVSEDD FÖR ANVÄNDNING MED DREMELS ROTERANDE VERKTYG MODELL 285, 395, 398, 400, 780 OCH 800.

Din Dremel Workstation 220 konverterar roterande verktyg till ett borrstativ för borrar, ett maskinstativ för sandpappersslipning och polering eller ett verktygsstativ med böjlig axel.

1. Fäst tuben i basen med sexkantbulten och fyrkantmuttern.
2. Sätt in fyrkantmuttern (den korta änden först) i stativet och fäst därefter höjdinställ-

ningsspaken. Placera stativet på tuben och dra åt handtaget.

3. När stativet är lodrätt sätter du in fyrkantmuttern i borrstativet och fäster vinkellåset.
4. Sätt fast tillbehörshållaren i tuben med de små hålen vända uppåt.
5. Montera kabelhållaren.
6. Montera upphängningstråden och locket.
7. Montera basen på en arbetsbänk på lämpligt sätt (fästanordning medföljer ej).

Användning

VIKTIGT! Workstation är bara avsedd att användas med ett verktyg åt gången. Häng inte upp några verktyg i upphängningsanordningen när ett annat verktyg är monterat.

Tillbehörshållaren har plats för följande verktyg (medföljer ej):

- Frässats (modell 628 eller 636)
- Skiftnyckel för roterande verktyg
- Monteringsnyckel
- Bits med fäste upp till 3,2 mm
- Spännhylsor för roterande verktyg (modellerna 480, 481, 482, 483)

OBS! Fräsbitsen hålls på plats i verktyget med en spännhylsa. Du kan montera biten antingen före eller efter det att du monterar verktyget i borrstativet.

1. Tryck ner och håll kvar skaftlåsknappen, samtidigt som du vrider nosmuttern och axeln. Fortsätt att vrida nosmuttern och skaftet tills låset tar och håller kvar skaftet (**bild B**).
2. Lossa nosmuttern genom att vrida den motsols med hjälp av Dremel-verktygets skiftnyckel.
3. Släpp skaftlåsknappen.
4. Sätt in fräsbiten i spännhylsan så långt som möjligt, så att den sitter säkert. Sätt inte in biten så långt att någon annan del än bit-skaftet vidrör spännhylsan eller nosmuttern, eftersom det kan leda till att biten skadas.

5. Tryck in skaftlåsknappen och dra åt nosmuttern, först för hand och sedan med nyckeln till biten sitter fast.

6. Montera det roterande med spindellåset vänt framåt. Fäst verktyget i hållaren genom att dra åt klämman (**bild C**).

OBS! Modellerna 398, 400 och 800 monteras med spindellåset vänt åt höger.

OBS! När du fäster det roterande verktyget i hållaren ska du kontrollera att verktyget sitter fast ordentligt och att inga ventilationsöppningar är blockerade.

7. Vrid den övre tuben motsols för att lossa den, så att du kan justera den i höjded. När du har ställt in önskad höjd fäster du tuben genom att vrida den medsols (**bild E**).

OBS! Tuben får inte förlängas när ett verktyg är fäst i maskinstativet.

Sätt in kabeln i kabelclipsen (**bild D**). På så sätt hålls kabeln borta från arbetsområdet.

8. Använd djupstoppet när du vill borra hål med ett visst djup. En mätskala för håldjup finns på stativhöljet.

Ställ in önskat stoppdjup och dra åt låsvredet för djupstoppjustering (**bild D**).

Användning (fortsättning)

9. Använd vinkellåset för att säkra verktyget antingen vågrätt eller i en 90° vinkel. Verktyget kan användas i vinklar på 15°, 30°, 45°, 60°, 75° eller 90° för sandpappersslipning, polering och putsning **(bild G)**.
Lossa den stora och lilla spaken, rotera verktyget och dra sedan åt båda vinkellåsen **(bild C och D)**.
10. Använd höjdjusteringsspaken för att fästa stativet på tuben i önskad höjd.
Lossa spaken, flytta verktyget/stativet till önskad position och dra åt höjdjusteringsspaken **(bild D)**.
11. Markera hålets plats på arbetsstycket med en körnare. På så sätt förhindras att borrarvandrarna vandrar bort från hålet när du börjar borra.
12. Säkra arbetsstycket i basen innan du börjar borra. På så sätt förhindras att arbetsstycket klättrar uppåt eller rör sig åt andra håll. Resultatet blir bättre, och arbetet blir säkrare. Fästklämmor (medföljer ej) är lämpliga för att fästa arbetsstycket. Du kan också använda ett litet skruvstycke vid borring **(bild H)**.
13. Lossa höjdjusteringslåsvedet ett halvt varv och flytta stativet tills borrarvandrarna är nära arbetsstycket **(bild F)**. Vi rekommenderar att borrarvandrarna är högst 6 mm från arbetsstycket. Dra åt låsvedet igen.
14. Ta tag i presshandtaget och dra det nedåt för att borra.

Tips

Använd ett "V"-block eller ett skruvstycke när du borrar i runda material. Använd en körnare när du borrar i mitten av runda arbetsstycken **(bild I)**. Markera hålet med körnaren (medföljer ej).

Undvik att trycka så hårt att motorns varvtal märkbart minskar. Minska trycket när borrarvandrarna är nära att tränga ut ur arbetsstycket. Detta förhindrar splinter.

Göra egna fästklämmor för arbetsstationen 220

Du kan göra egna fästklämmor av trä, stål eller aluminium beroende på arbetsmomentet **(bild J)**.

1. Kapa eller såga material till önskad längd, bredd och höjd.
2. Borra ett hål med ett 8 mm borr på önskad plats genom både klämman och distansen.
3. Montera fästklämmorna med en 8 mm arbetsbordsbult, (40-50 mm lång), passande brickor och vingmuttrar.

4. Montera fästklämmorna på basen genom att skjuta arbetsbordsbultens huvud uppåt genom basens botten och skruva fast vingmuttrarna.

När du använder fästklämmor på arbetsstycken större än 6 mm ska du alltid använda ett distansblock, så att klämmans baksida får tillräckligt stöd. Distansblocket bör vara ca 3 mm lägre än arbetsstycket.

Service

Vid reklamation ber vi dig skicka verktyget i monterat skick, tillsammans med inköpsbeviset, till återförsäljaren eller närmaste Dremel-

serviceställe (adresserna hittar du på www.dremel.com).

Sikkerhetsregler for elektroverktøy



Les og gjør deg kjent med alle instruksjonene (deriblant instruksjoner om maskinen som stativet skal brukes med). Hvis ikke instruksjonene nedenfor blir fulgt, kan det føre til elektrisk støt, brann og/eller alvorlige personskader.

TA VARE PÅ DISSE INSTRUKSJONENE

Sikkerhetsregler for stativet og maskinen

Koble fra maskinen før den monteres på et bord, før du skal gjøre justeringer eller skifte bits.

Fest maskinen skikkelig til et stabilt bord eller plattform før du tar den i bruk.

Vit å slå av maskinen! Plasser maskinen slik at bryteren er lett å nå og slik at den kan slås av raskt hvis det skulle oppstå en nødsituasjon.

Før ledningen bort fra bitsen eller skjærområdet. Hvis du skjærer inn i strømførende ledninger kan det føre til elektrisk støt eller brann.



Bruk vernebriller, hørselsvern og støvmaske. Hvis du bruker personlig sikkerhetsutstyr og arbeider i et sikkert miljø, reduseres faren for skade.

Bruk ikke hansker eller løstsittende bekledding når du skal bruke maskinen.

Påse at bitsen og bitsens hastighet er riktig for bruken. Bruk ikke bits som har en skjærediameter som overstiger maskinens kapasitet. Borestativet er kun beregnet for lett arbeid på tre, plast og metall. Overbelastning av maskinen kan føre til personskade eller feil på maskinen.

Bruk aldri sløve eller ødelagte deler. Skarpe deler må håndteres forsiktig.

Kontroller alltid at det ikke er spiker eller andre fremmedlegemer i arbeidsstykket.

Før arbeidet tar til må arbeidsstykket spennes fast mot søylen. Hold aldri et lite arbeidsstykke i den ene hånden når maskinen føres ned. Ved å spenne fast arbeidsstykket kan du bruke begge hender til å styre maskinen.

Bruk et "V"-stykke til å støtte opp runde materialer når du skal bore, som for eksempel rør eller stenger. Runde materialer, for eksempel plugger, rør eller slanger, har en tendens til å rulle når det skjæres i dem, og dette kan forårsake at bitsen "hogger" eller spretter mot deg.

Du må låse maskinens hode i ønsket posisjon og skjæredybde når du skal utføre andre operasjoner enn boring. Før arbeidsstykket mot maskinen og la det være rikelig med plass mellom hånden og den roterende bitsen.

Dette borestativet er beregnet på boring, pusning, børsting, polering eller sliping. Annen bruk kan medføre fare.

Hvis en side av en roterende bits brukes på arbeidsstykket, for eksempel en pussebits, må arbeidsstykket plasseres mot siden av bitsen som roterer mot arbeidsstykkets materetning. Hvis du plasserer arbeidsstykket på den siden av bitsen der materetningen og bitsens rotasjon går i samme retning, kan dette føre til at arbeidsstykket trekkes med av den roterende bitsen. Dette kan føre til at du mister kontrollen under arbeidet.

Start aldri maskinen hvis bitsen står i materialet.

Ikke grip inn i området rundt den roterende bitsen. Det er ikke alltid lett å bedømme den riktige avstanden mellom hånden og bitsen. Arbeidsstykket kan sprette av gårde og hånden kan glippe under arbeidet.

Bruk støvmaske når du arbeider med materialer som avgir helseskadelig støv. Undersøk materialene du skal jobbe med på forhånd.

Etter at du har foretatt utskiftninger av deler eller justeringer, må du påse at chockmutteren og alt annet justeringsutstyr blir forsvarlig strammet til.

Rør ikke bitsen under bruk eller like etterpå. Hvis du kommer i kontakt med en roterende bits, kan det oppstå skade. Etter bruk vil bitsen være for varm til at du kan ta på den med bare hendene.

La ikke maskinen gå uten tilsyn. Slå av strømmen. Det er kun trygt å fjerne arbeidsstykket og rengjøre stativet når maskinen har stoppet fullstendig.

Montasje (Figur A)

TILBEHØR FOR BRUK MED DREMELS ROTERENDE MASKINER, MODELLENE 285, 395, 398, 400, 780 og 800.

Dremel Workstation 220 konverterer roterende maskiner til en søyleboremaskin for boring, til en verktøyholder for pussing eller polering eller til et maskinstativ med fleksibel aksel.

1. Monter stangen på sokkelen og fest den med sekskantbolten og mutteren.
2. Sett på mutteren (kortenden først) i stativfestet og monter høydejusteringsspaken. Sett stativfestet på stangen og stram til spaken.
3. Når festet står i loddrett posisjon, fører du mutteren inn i borestativet og monterer vinklingsspaken på festet.
4. Monter bitsholderen på stangen med de små hullene opp.
5. Fest ledningsholderen.
6. Fest opphengs-wiren og hetten.
7. Sokkelen må festes skikkelig til en bordplate med egnede skruer/bolter (medfølger ikke).

I bruk

Viktig: Stativet kan kun bruke én maskin om gangen. Heng ikke på en maskin i holderen når en annen maskin er montert i festet.

Bitsholderen kan holde følgende redskaper (medfølger ikke):

- Borsett (modell 628 eller 636)
- Nøkkel for roterende bits
- Monteringsnøkkel
- Bits med akselstørrelse som er mindre eller lik 3,2 mm
- Spennhylser for roterende bits (modellene 480, 481, 482, 483)

MERK: Borebitsene festes i maskinen ved hjelp av et spennhylsesystem. Bitsen kan monteres før eller etter at den roterende maskinen er montert i stativfestet.

1. Trykk inn og hold spindellåsknappen mens du roterer spennhylsen og spindelen. Fortsett å rotere spennhylsen og akselen til låsen festes og holder akselen (**figur B**).
2. Bruk Dremel-nøkkelen og skru spennhylsen mot klokken for å løsne den.
3. Slipp spindellåsknappen
4. Sett inn bitsen så dypt som mulig i spennhylsen for å sikre skikkelig grep på bitsen og minimere slitasje. Sett ikke inn bitsen så langt at den kommer nær spennhylsen eller spindellåsmutteren. Dermed unngår du sluring eller riper i bitsen.

5. Fest spindellåsknappen og stram spennhylsen, først for hånd, deretter ved hjelp av skrunøkkelen til bitsen er festet godt.
6. Sett maskinen i stativet med spindellåsen mot fronten. Klem fast maskinen til festet ved å stramme til mutteren (**figur C**).

MERK: Modellene 398, 400 og 800 monteres med spindellåsen til høyre.

MERK: Når maskinen skal klemmes fast i holderen, må du forsikre deg om at den sitter skikkelig og at ventilasjonsåpningene ikke er dekket.

7. Vri toppslangen mot klokken for å løsne den slik at slangen kan justeres opp eller ned. Når du har oppnådd ønsket høyde, vrir du slangen med klokken for å stramme den til (**figur E**).

MERK: Du må ikke dra i slangen når maskinen er i bruk i holderen.

Sett ledningen inn i ledningsklipsene (**figur D**). Holderen sørger for at ledningen holdes borte fra arbeidsområdet.

8. Dybdestopperen brukes når du ønsker å bore hull til en bestemt dybde. Til dette formålet kan du bruke den medfølgende linjalen på stativfestet.

Sett dybdestopperen til ønsket dybde og stram til låseknotten (**figur D**).

Bruk (forts.)

9. Vinklingsspakene brukes til å holde maskinen festet loddrett eller i 90° vinkel. Maskinen kan kjøres i en vinkel på 15°, 30°, 45°, 60°, 75° eller 90° for pussing, polering, sliping eller børsting (**figur G**).

Løsne den store og den lille spaken, og drei maskinen. Stram deretter til begge låsespakene skikkelig (**figur C og D**).

10. Høydejusteringsspaken brukes til å holde festet på stangen i ønsket høyde.

Løsne spaken og flytt festet/maskinen til ønsket posisjon og stram til høydejusteringsspaken (**figur D**).

11. Merk hullene på arbeidsstykket og kjør ned en kjørner mot disse posisjonene. Merking med kjørner vil hindre at borepunktet vandrer og sørge for at hullet kommer på riktig sted.

12. Fest arbeidsstykket til sokkelen før du borer. Dette hindrer at arbeidsstykket løfter seg opp på bitsen eller begynner å rotere. Dette gir bedre sikkerhet og bedre kvalitet. Tvinger (medfølger ikke) kan være nyttige til å holde arbeidsstykket på plass. Du kan også bruke en liten skruestikke når du borer (**figur H**).

13. Løsne høydejusteringshendelen 1/2 omdreining, og flytt festet på stangen inntil tuppen av bitsen kommer inntil arbeidsstykket (**figur F**). Maksimalt 6 mm mellom tuppen av bitsen og arbeidsstykket anbefales. Stram til låseknotten igjen.

14. Ta tak rundt håndtaket på festet og trekk ned mot borehullet.

Nyttige tips

Når du skal bore i runde stykker bør du bruke en "V"-blokk eller en skruestikke. Hvis du skal bore et hull i midten av et rundt arbeidsstykke, trenger du en kjørner (**figur I**). Bruk en kjørner til å lage et sentermerke (medfølger ikke).

Unngå å bruke så mye makt at motorhastigheten reduseres merkbart. Før maskinen forsiktig ned når du nærmer deg gjennom boring. Dermed unngår du hakkete kanter rundt gjennomslagspunktet.

Lage en ekstra tvinge for stativ 220

Tvinger kan være laget av tre, stål eller aluminium. Dette avhenger av bruksmåten (**figur J**).

1. Skjær eller sag materialet til ønsket lengde, bredde og høyde.
2. Bor et hull med et 8 mm bor i ønsket posisjon, gjennom klemmen og avstandsstykket.
3. Fest tvingene med 8 mm - 40 mm eller 50 mm bolter med passende skiver og vingemuttere.

4. Fest til sokkelen ved å føre enden av bolten opp gjennom bunnen av sokkelen. Fest med vingemuttere på toppen.

Når du bruker tvinger på arbeidsstykker som er tykkere enn 6 mm, bør du alltid bruke et avstandsstykke for å støtte opp baksiden av tvingen. Du oppnår best støtte ved å bruke et avstandsstykke som er skåret til ca. 3 mm kortere høyde enn arbeidsstykket.

Service

Hvis du ønsker å klage, må du sende maskinen i montert stand sammen med en kopi av kvitteringen til forhandleren eller nærmeste

Dremel-verksted (du finner adresser på www.dremel.com).

Sähkötyökalun turvaohje



VAROITUS

Lue käyttöohjeet huolellisesti (mukaanlukien sen työkalun ohjeet, jonka kanssa lisälaitetta käytetään). Ohjeiden noudattamatta jättäminen voi aiheuttaa sähköiskun, tulipalon ja/tai vakavia henkilövammoja.

SÄILYTÄ NÄMÄ OHJEET

WORKSTATION -turvaohjeet

Irrota työkalu verkkovirrasta, ennen pöytään kiinnitystä, säätöjä tai terän vaihtoja.

Kiinnitä WORKSTATION tukevaan pöytään tai tasoon ennen käyttöä.

Tarkista, että osat kytkeä työkalusta virran pois! Aseta työkalu niin, että virtakytkin on helposti käytettävissä virran katkaisua varten hätätapauksissa.

Sijoita johto kauaksi terästä ja leikkausalueesta. Verkkovirtaan yhdistetyn johdon katkaisu voi aiheuttaa sähköiskun, palamisen tai muun sähkötapaturman.



Käytä silmä- ja korvasuojaimia sekä hengityssuojainta. Henkilökohtaisten suojainten käyttö sekä työskentely turvallisissa olosuhteissa vähentävät loukkaantumisen riskiä.

Älä käytä käsineitä tai löysiä vaatteita työskentelyn aikana.

Valitse terä ja nopeus käyttötarkoituksen mukaan. Älä käytä teriä, joiden leikkaushalkaisija ylittää työkalun kapasiteetin. Porausteline on tarkoitettu pääsasiassa kevyeen työskentelyyn puun, muovin tai metallin kanssa. Työkalun ylikuormitus voi aiheuttaa henkilövahinkoja tai työkalun rikkoutumisen.

Älä koskaan käytä tylsiä tai vahingoittuneita teriä. Teräviä teriä pitää käsitellä varoen.

Varmista aina, että työkohteessa ei ole nauvoja tai muita vieraita esineitä.

Kiinnitä työkohteeseen pidikkeillä tai tue pylvästä vasten ennen työskentelyä. Älä koskaan pitele pieniä työkohteita kädessäsi ja siirrä poraa alas. Työkohteen kiinnittäminen mahdollistaa molempien käsien käytön työkalun hallitsemiseksi.

Käytä WORKSTATION -tukea, kun poraat pyöreitä kohteita kuten putkia. Pyöreillä työkohteilla kuten vaarnakepeillä, putkilla tai letkuilla on taipumus lähteä pyörimään kun niitä leikataan, ja ne voivat aiheuttaa terän luiskahduksen tai työkohteen ”hyppäämisen” sinua kohti.

Sinun on asetettava ja lukittava työkalun pää haluttuun asentoon ja leikkaussyvyys-teen, kun teet muita töitä kuin porausta. Tuo työkohtetta työkalua kohti ja jätä riittävästi tilaa kätesi ja pyörivän terän välille.

Tämä porausteline on suunniteltu poraukseen, hiomiseen, harjaukseen, kiillotukseen tai hiontaan; muu käyttö voi aiheuttaa vaaroja, joita vastaan ei voi riittävästi suojautua.

Jos työskentelet käyttäen pyörivän tarvikkeen sivua, esimerkiksi hiomarumpua, työkohteeseen sijoitettava sille puolelle, joka pyörii työkalun syöttösuunnan vastaisesti. Jos työkohteeseen laitetaan sille puolelle, jossa työkohteen työntösuunta ja lisälaitteen pyörimissuunta ovat samat, se voi saada pyörivän tarvikkeen vetämään työkohtetta ja aiheuttaa hallinnan menetyksen työn aikana.

Älä koskaan käynnistä työkalua, kun terä on kiinni materiaalissa.

Älä työnnä sormiasi pyörivän terän läheisyyteen. Pyörivän terän ja kätesi välinen etäisyys ei aina ole itsestään selvä. Työkohteeseen voi siirtyä tai kätesi voi lipsahtaa työskentelyn aikana.

Käytä hengityssuojainta, kun työskentelet sellaisten materiaalien parissa, jotka aiheuttavat terveydelle haitallista pölyä; ota selvää työstettävistä materiaaleista ennen kuin aloitat.

Kun olet vaihtanut terän tai tehnyt säätöjä, varmista, että istukkamutteri ja muut säätölaitteet on kiristetty hyvin.

Älä koskaan koske terään käytön aikana tai välittömästi sen jälkeen. Pyörivän terän koskettaminen aiheuttaa vammoja, ja käytön jälkeen terä on liian kuuma paljain käsin koskettavaksi.

Älä jätä pyörivää työkalua vahtimatta, kytke virta pois. Vasta kun työkalu on täysin pysähtynyt, työkohteen poistaminen ja telineen puhdistus on turvallista.

Kokoonpano (Kuvio A)

LISÄLAITE KÄYTETTÄVÄKSI DREMEL-YLEISTYÖKALUMALLIEN 285, 395, 398, 400, 780 JA 800 KANSSA.

Dremel Workstation 220 muuttaa yleistyökalut poraustelineeksi poraukseen, työkalupitimeksi hiontaan tai kiillotukseen, tai taipuisan akselin työkalutelineeksi.

1. Yhdistä putki alustaan ja kiinnitä kuusiopultilla ja neliömutterilla.
2. Työnnä neliömutteri (lyhyt puoli edellä) telineeseen ja asenna korkeussäädön vipu. Sijoita teline putkeen ja kiristä vipu.

3. Pidä puristinta vaaka-asennossa ja työnnä neliömutteri poraustelineeseen ja asenna kulmalukkovipu telineeseen.
4. Asenna työkalukotelo putkeen pienet reiät ylöspäin.
5. Asenna johdon pidike.
6. Asenna koneen pidin ja tulppa.
7. Alusta on kiinnitettävä työpöytänsä sopivan kokoisilla kiinnitysosilla (ei pakkauksessa).

Käyttö

TÄRKEÄÄ Workstation on tarkoitettu yhdelle työkalulle kerrallaan. Älä ripusta työkalua telineeseen, jos telineeseen on kiinnitetty toinen työkalu.

Työkalukoteloon mahtuvat seuraavat osat (ei pakkauksessa):

- Poranteräsarja (Malli 628 tai 636)
- Avain
- Kiinnitysavain
- Terät, joiden varren koko on 3,2 mm tai pienempi
- Yleistyökalun istukkahylsyt (Mallit 480, 481, 482, 483)

HUOMAA: Poranterät kiinnittyvät runkoon istukkahylsyjärjestelmällä. Terä voidaan asentaa ennen kuin yleistyökalu on asennettu poraustelineeseen tai sen jälkeen.

1. Paina ja pidä alhaalla karalukkopainiketta samalla kun pyörität istukkamutteria ja karraa. Jatka istukkamutterin ja karan pyörittämistä kunnes lukko kytkeytyy ja kiinnittää karan (**kuvio B**).
2. Käytä yleistyökalun avainta ja käännä istukkamutteria vastapäivään irrottaaksesi sen.
3. Vapauta karalukkopainike.
4. Työnnä poranterä istukkahylsyyn mahdollisimman syväälle, jotta varmistettaisiin terän kunnollinen tarttuminen ja vähennetään liikumista. Älä työnnä terää niin pitkälle, että terän kierteet koskettavat istukkahylsyä tai

istukkamutteria, koska silloin terä voi lohjeta tai murtua.

5. Paina karalukkopainiketta uudelleen ja kiristä istukkamutteri – ensin käsin, sitten avaimella kunnes terä on hyvin kiinni.
6. Työnnä yleistyökalu telineeseen karan lukko eteenpäin. Kiinnitä työkalu telineeseen kiristämällä kiinnitysruuvia (**kuvio C**).

HUOMAA: Mallit 398, 400 ja 800 kiinnittyvät karalukko oikealla puolella.

HUOMAA: Kun kiinnität yleistyökalun telineeseen, varmista että se on tiiviisti kiinni eivätkä ilma-aukot ole peitettyinä.

7. Käännä yläputkea vastapäivään löysätäksesi sitä ja jotta voit säätää putkea ylös ja alas. Kun olet saavuttanut halutun korkeuden, käännä putkea myötäpäivään kiristääksesi sen (**kuvio E**).

HUOMAA: Älä pidennä putkea kun työkalupitimestä on työkalu käytössä.

Pujota johto johdon pitimiin (**kuvio D**). Teline pitää johdon poissa työalueelta.

8. Syvyyksirajoitinta käytetään, kun haluat porata reikiä tiettyyn syvyyteen. Telineen kotelossa on mitta-asteikko.

Säädä syvyyden säädön rajoitin haluttuun syvyyteen ja kiristä lukitusnuppi (**kuvio D**).

Käyttö (jatkoa)

9. Kulmalukitusvipuja käytetään, kun halutaan kiinnittää työkalu vaakasuoraan tai 90° kulmaan. Työkalua voi käyttää 15°, 30°, 45°, 60°, 75° tai 90° kulmassa hiekkapaperihionnassa, kiillotuksessa, hionnassa tai harjauksessa (**kuvio G**).
- Löysää pieni ja iso vipu ja käännä työkalua ja kiristä sitten kummatkin tiukasti (**kuvio C ja D**).
10. Korkeuden säädön vipua käytetään kiinnittämään teline haluttuun korkeuteen putkessa.
- Löysää vipua ja siirrä teline/työkalu haluttuun kohtaan ja kiristä vipu (**kuvio D**).
11. Merkitse reikien paikat työkohteeseen ja käytä pistepuikkoa niissä kohdissa. Pistepuikon käytöllä estät poran terän siirtymisen ja saat reiät oikeaan kohtaan.
12. Kiinnitä työkohteeseen alustaan ennen poraamista. Tämä estää työkohteen kiipeämisen poranterää pitkin sekä sen pyörimisen terän ympäri. Etuna on turvallisuus ja parempi lopputulos. Puristimet (ei pakkauksessa) sopivat hyvin työkohteen pitämiseen paikoillaan, tai voit käyttää ruuvipuristimia porauksen ajan (**kuvio H**).
13. Löysää korkeuden säädön lukitusvipua puoli kierrosta ja siirrä telinettä putkea pitkin kunnes poranterä on lähellä työkohdetta (**kuvio F**). Suosittelemme enintään 6 mm:n etäisyyttä. Kiristä lukitusvipu.
14. Tartu telineen kädensijaan ja paina alas porataksesi reiän.

Vinkejä

Kun poraat pyöreitä kappaleita käytä "V"-tukea tai puristinta. Jotta saat porattua reiän keskellä pyöreää kappaletta, pistepuikon käyttö merkitään on välttämätöntä (**kuvio I**). Tee merkintä reiän kohdalle pistepuikolla (ei pakkauksessa).

Vältä painamasta niin paljon, että moottorin nopeus hidastuu huomattavasti. Työnnä varovasti myös silloin, kun terä on tulossa työkohteen läpi. Näin vältät rosoiset ulostuloreiät.

Tee työkohteen puristimet workstation 220 -telineelle

Pidikepuristimet voidaan tehdä puusta, teräksestä tai alumiinista, käyttötarkoituksesta riippuen (**kuvio J**).

1. Leikkaa tai sahaa materiaali haluttuun pitiuteen, leveyteen ja korkeuteen.
2. Poraa reikä 8 mm: poranterällä haluttuun kohtaan, pidikkeen ja välikappaleen läpi.
3. Kiinnitä puristimet 8 - 40 mm tai 50 mm lukopulteilla ja sopivilla muttereilla ja siipimuttereilla.

4. Kiinnitä alustaan työntämällä lukopultit ylöspäin pohjan läpi ja kiinnittämällä siipimuttereilla yläpuolelta.

Kun käytät puristimia yli 6 mm:n paksuisilla työkohteilla, käytä aina välikappaletta tuke-massa puristimen takaosaa. Parhaan tuen saat, kun leikkaat välikappaleen noin 3 mm matalammaksi kuin työkohteen.

Huolto

Jos tuotteeseen tulee vikaa, lähetä purkamaton työkalu yhdessä ostokuitin kanssa jälleen-

myyjälle tai lähimpään huoltopisteeseen (luetelo osoitteessa www.dremel.com).

Sikkerhedsregler for brug af elværktøj



⚠ ADVARSEL

Du skal læse og forstå alle instruktioner (inklusive instruktionerne til det værktøj, som holderen bruges sammen med). Manglende overholdelse af instruktionerne kan medføre elektrisk stød, brand og/eller alvorlig personskade.

GEM DENNE VEJLEDNING

Sikkerhedsregler for WORKSTATION

Træk stikket til værktøjet ud af stikkontakten, før du sætter det i holderen, foretager justeringer eller skifter bord.

Fastgør WORKSTATION sikkert til et stabilt bord eller underlag, før du begynder at arbejde.

Vær fortrolig med, hvordan du slukker for værktøjet! Placer værktøjet, så det er let at komme til kontakten, så den hurtigt kan afbrydes i nødstilfælde.

Før ledningen væk fra bore- eller skæreamrådet. Hvis du skærer i en strømførende ledning, er der fare for forbrænding eller elektrisk stød, evt. med døden til følge.



Anvend øjenværn, høreværn og støvmaske. Brug af personlige værne-midler samt indretning af et sikkert arbejdsmiljø reducerer risikoen for personskader.

Brug ikke handsker eller løsthængende tøj, når du betjener værktøjet.

Vælg den passende bit og hastighed til arbejdet. Brug ikke bits med større skærediameter, end værktøjet er beregnet til. Borestanderen er primært beregnet til let arbejde i træ, plast og metal. Hvis værktøjet overbelastes, kan det resultere i, at du kommer til skade, eller at værktøjet ødelægges.

Brug aldrig sløve eller ødelagte bits. Håndter skarpe bits forsigtigt.

Sørg altid for, at arbejdsemnet er fri for søm og andre fremmedlegemer.

Spænd arbejdsemnet eller understøtningen imod søjlen, før du begynder at arbejde. Hold aldrig et lille arbejdsemne i den ene hånd, mens du kører boret ned med den anden. Når du fastspænder arbejdsemnet, har du begge hænder fri til at styre værktøjet med.

Brug en "V"-formet blok som støtte, når du borer i runde emner som f.eks. rør eller stænger. Runde materialer som f.eks. dyvelpinde eller rør er tilbøjelige til at rulle, når man skærer i dem, hvilket kan medføre, at bittens "bider", eller arbejdsemnet springer imod dig.

Hvis du udfører andet arbejde end boring, skal du indstille og fastlåse værktøjets hoved i den ønskede position og skæredybde. Før arbejdsemnet hen til værktøjet, og sørg for, at der er tilstrækkelig plads mellem din hånd og den roterende bit.

Denne borestander er konstrueret til boring, finslibning, børstning, polering eller slibning; anden brug kan indebære risici, som der ikke er tilstrækkelig sikring mod.

Hvis siden af et roterende stykke tilhører bruges til at udføre arbejdet, f.eks. et sliberør, skal arbejdsemnet anbringes på den side af tilbehøret, der roterer imod arbejdsemnets fremførsretning. Hvis du anbringer arbejdsemnet på den side af tilbehøret, hvor tilbehøret roterer samme vej, som arbejdsemnet føres frem, kan arbejdsemnet blive trukket med, så du mister kontrollen over det.

Start aldrig værktøjet, mens bittens sidder i materialet.

Hold hænderne på afstand af det roterende bor. Det er ikke altid nemt at vurdere, hvor tæt det roterende bor er på hånden. Arbejdsemnet kan tippe, eller din hånd kan glide under arbejdet.

Anvend en støvmaske, når du arbejder med materialer, som udvikler sundhedsskadeligt støv. Sørg for at informere dig om de materialer, du skal arbejde med.

Når du har skiftet bits eller foretaget justeringer, skal du sikre dig, at spændemøtrikken og alle andre justeringsanordninger er sikkert fastspændt.

Rør aldrig ved bittens under eller umiddelbart efter arbejdet. Berøring af en roterende bit vil medføre personskade, og umiddelbart efter brug er bittens varm til at berøre med bare hænder.

Efterlad aldrig et tændt værktøj uden opsyn. Afbryd strømmen. Det er først sikkert fjerne arbejdsemnet og rengøre stativet, når værktøjet er helt standset.

Samling (Figur A)

TILBEHØR TIL BRUG SAMMEN MED DREMEL ROTATIONSVÆRKTØJ, MODEL 285, 395, 398, 400, 780, og 800

Dremel Workstation 220 kan sammen med rotationsværktøjet blive til en søjleboremaskine og kan fungere som værktøjsholder til finslibning eller polering eller som værktøjsstativ til en fleksibel aksel.

1. Monter røret på fodpladen, og spænd det fast med den sekskantede bolt og den firkantede møtrik.
2. Sæt den firkantede møtrik (med den korte ende fremad) i pressen, og monter højdejusteringshåndtaget. Placer borestanderen på røret, og spænd håndtaget.

3. Borestanderen skal være i lodret stilling. Sæt den firkantede møtrik ind på indersiden af borestanderen, og saml vinkelåsehåndtaget til pressen.
4. Monter bor- og bitholderen på røret med de små huller vendende opad.
5. Monter ledningsholderen.
6. Monter ophængningswiren og hættten.
7. Fodpladen skal fastgøres til et arbejdsbord med skruer eller bolte i en passende størrelse (medfølger ikke).

Betjening

VIGTIGT! Workstation må kun bruges med ét værktøj ad gangen. Hæng ikke ét værktøj på ophænget, mens et andet værktøj er monteret i pressen.

Bor- og bitholderen kan bruges til at opbevare følgende værktøj (medfølger ikke):

- Borsæt (model 628 eller 636)
- Nøgle til rotationsværktøj
- Monteringsnøgle
- Bits med en skaftdiameter på 3,2 mm og nedefter
- Spændepatroner til rotationsværktøj (model 480, 481, 482, 483)

NOTE: Borene fastholdes til værktøjet ved hjælp af et patronsystem. Du kan både montere bittene før og efter, du har monteret rotationsværktøjet i borestanderen.

1. Tryk knappen til aksellåsen ned, og hold den nede, mens du drejer spændemøtrikken og akslen. Fortsæt med at dreje spændemøtrikken og akslen, indtil låsen går i indgreb og holder akslen fast (**figur B**).
2. Tag nøglen fra Dremel rotationsværktøjet, og drej spændemøtrikken mod uret for at løsne den.
3. Udløs knappen til aksellåsen.
4. Sæt et bor i værktøjspatronen, indtil det ikke kan komme længere, så du er sikker på, at bittene sidder godt fast og ikke falder ud. Undlad at skubbe bittene så langt ind, at rillen i bitten rører ved patronen eller spændemøtrikken, da den i så fald kan hoppe og gå i stykker.

5. Tryk på knappen til låseakslen igen, og spænd spændemøtrikken – først med hånden og derefter med nøglen, så bittene sidder godt fast.
6. Sæt rotationsværktøjet i pressen med spindellåsen fremad. Spænd værktøjet fast til værktøjsbeslaget ved hjælp af spændemøtrikken (**figur C**).

BEMÆRK: Model 398, 400 og 800 skal monteres med spindellåsen til højre.

BEMÆRK: Når du spænder rotationsværktøjet i holderen, skal du være sikker på, at værktøjet sidder ordentligt, og at ventilationsåbningerne ikke er tildækkede.

7. Drej det øverste rør mod uret for at løsne det, så det kan justeres op eller ned. Spænd røret fast med uret, når det er i den ønskede højde (**figur E**).

BEMÆRK: Man bør ikke forlænge røret, mens der er et værktøj i brug i værktøjsholderen.

- Sæt ledningen i ledningsholderne (**figur D**). Holderne vil holde ledningen væk fra arbejdsområdet.
8. Dybdestoppet anvendes, når du vil bore huller med en bestemt dybde. En skala på pressens hus er en hjælp hertil.
- Indstil dybdestopjusteringen til den ønskede dybde, og spænd justeringsgrebet til dybdestoppet (**figur D**).

Betjening (fortsat)

9. Vinkellåsehåndtagene bruges til at sikre værktøjet enten lodret eller i en 90°-vinkel. Værktøjet kan bruges i vinkler på 15°, 30°, 45°, 60°, 75° eller 90° til finslibning, polering, slibning eller børstning (**figur G**).
Løsn det store og det lille håndtag, og roter værktøjet. Spænd derefter begge vinkellåsehåndtag fast (**figur C og D**).
10. Højdejusteringshåndtaget bruges til at fiksere pressen på røret i den ønskede højde.
Løsn håndtaget, flyt pressen/værktøjsholderen til den ønskede position, og spænd højdejusteringshåndtaget (**figur D**).
11. Markér hullernes positioner på arbejdsemnet, og slå kørneprikker på disse steder. Kørneprikker vil hindre borepunktet i at vandre og sikre korrekt placering af hullerne.
12. Spænd arbejdsemnet fast til fodpladen, før du borer. Dette vil forhindre, at arbejdsemnet kravler op ad boret eller kører med rundt. Fordelene ved det er sikkerhed og kvalitetsarbejde. Tilholdere (medfølger ikke) er meget velegnede til at holde emnet. Brug evt. en lille skruetvinge, når du borer (**figur H**).
13. Løsn højdejusteringsgrebet en halv omgang, og bevæg pressen op eller ned ad røret, indtil spidsen af boret er nær arbejdsemnet (**figur F**). Vi anbefaler en maksimal afstand på 6 mm mellem borspidsen og arbejdsemnet. Spænd grebet igen.
14. Tag fat i pressehåndtaget, og træk det nedad for at bore hullet.

Nyttige tips

Brug en "V"-formet blok eller lignende, når du borer i runde emner. Når du skal bore et hul i centrum af et rundt emne, er det nødvendigt at slå en kørneprik (**figur I**). Brug en kørner til at lave dette mærke med (medfølger ikke).

Undgå at presse så hårdt nedad, at motorens omdrejningstal reduceres hørbart. Vær også forsigtig, når du nærmer dig punktet, hvor spidsen af boret går igennem. Derved undgår du at danne oprivninger omkring hullet.

Fremstilling af tilholdere til Workstation 220 (ekstraudstyr)

Tilholdere kan fremstilles af træ, stål eller aluminium alt efter anvendelsesformålet (**figur J**).

1. Skær eller sav materialet af i den ønskede længde, bredde og højde.
2. Bor et hul gennem tilholderen og afstandsklodsens på det ønskede sted med et 8 mm bor.
3. Monter tilholderne ved hjælp af 40 mm eller 50 mm lange 8 mm bræddebolte med passende skiver og vingemøtrikker.

4. Fastgør dem til fodpladen ved at skubbe bræddeboltens hoved op gennem bunden af fodpladen med vingemøtrikkerne ovenpå.

Når du bruger tilholdere på arbejdsemner, der er mere end 6 mm tykke, skal du altid bruge en afstandsklods for at støtte tilholderen på bagsiden. Den bedste støtte opnås, når afstandsklodsens er skåret med en højde, der er 3 mm mindre end arbejdsemnet.

Service

I tilfælde af reklamation skal værktøjet sendes i samlet tilstand sammen med beviset for købet til din forhandler eller det nærmeste Dremel

serviceværksted (du kan finde adressen på www.dremel.com).

Norme di sicurezza per il miniutensile



ATTENZIONE

Leggere attentamente tutte le istruzioni (comprese quelle relative al miniutensile utilizzato unitamente al complemento). La mancata osservanza di tutte le istruzioni, può provocare scosse elettriche, incendi e/o seri danni alle persone.

CONSERVARE QUESTE ISTRUZIONI

Norme di sicurezza per la WORKSTATION

Disconnettere il miniutensile prima di procedere al bloccaggio del pezzo sulla base, eseguire regolazioni o cambiare la punta.

Bloccare saldamente la WORKSTATION su una piattaforma o un tavolo da lavoro stabile.

Avere ben presente il modo di spegnere il miniutensile! Posizionare il miniutensile in modo che l'interruttore sia facilmente accessibile, per poterlo spegnere rapidamente in caso di emergenza.

Far passare il cavo lontano dalla punta e dall'area di taglio. Il taglio di un cavo elettrico attivo può provocare scosse elettriche, bruciature o folgorazioni.



Indossare la protezione per gli occhi, per le orecchie e la mascherina antipolvere.

L'utilizzo dei dispositivi di sicurezza e un ambiente di lavoro sicuro riducono i rischi di lesioni.

Evitare di indossare guanti o abiti eccessivamente ampi durante il funzionamento del miniutensile.

Selezionare la punta e la velocità corrette per ciascuna applicazione. Evitare di utilizzare punte aventi un diametro di taglio eccessivo per la capacità del miniutensile. Il supporto a colonna è destinato fondamentalmente ad applicazioni leggere su legno, plastica e metallo. Il sovraccarico del miniutensile può causare lesioni personali o danni al miniutensile stesso.

Non utilizzare mai frese usurate o danneggiate. Le frese affilate vanno maneggiate con cura.

Assicurarsi sempre che il pezzo in lavorazione sia privo di chiodi e altri oggetti estranei.

Prima di iniziare l'attività bloccare sempre il pezzo sulla base o contro la colonna. Non abbassare mai il trapano con una mano tenendo il pezzo in lavorazione con l'altra. Se i pezzi vengono opportunamente bloccati si può disporre di entrambe le mani per controllare lo strumento.

Per bloccare pezzi a simmetria circolare quali tubi o barre, utilizzare opportuni blocchi a "V". I pezzi a simmetria circolare, quali perni e tubi, hanno una tendenza a ruotare mentre vengono lavorati e potrebbero causare un impuntamento della punta o un salto del pezzo nella direzione dell'operatore.

Se si eseguono operazioni diverse dalla foratura, posizionare e bloccare la testa del miniutensile nella posizione ed alla profondità di taglio desiderate. Avvicinare il pezzo al miniutensile assicurandosi di lasciare sempre spazio sufficiente tra la punta in rotazione e le mani.

Il trapano a colonna è stato progettato per eseguire lavori di foratura, levigatura, spazzolatura, lucidatura e smerigliatura; applicazioni diverse potrebbero presentare rischi da cui è difficile proteggersi adeguatamente.

Se l'operazione viene eseguita sfruttando la zona laterale di un accessorio rotante, ad esempio un tamburo abrasivo, il pezzo deve essere posizionato contro il lato dell'accessorio che ruota in senso opposto all'avanzamento del pezzo. Se il pezzo viene posizionato contro il lato dell'accessorio che ruota nel senso dell'avanzamento del pezzo, l'accessorio potrebbe tendere a tirare il pezzo verso di sé, causando perdita di controllo da parte dell'operatore.

Non avviare mai l'utensile con la fresa in presa nel materiale.

Non portare le mani in prossimità della punta rotante. La vicinanza della punta alle proprie mani potrebbe non essere sempre immediatamente evidente. Durante il funzionamento il pezzo potrebbe spostarsi o le mani scivolare.

Lavorando con materiali che producono polvere dannosa per la salute, indossare sempre la mascherina protettiva; informarsi in anticipo sui materiali su cui si intende lavorare.

Dopo la sostituzione delle punte l'esecuzione di qualsiasi regolazione, assicurarsi che la ghiera della pinza ed ogni altro dispositivo di regolazione siano opportunamente serrati.

Non toccare mai la punta durante l'uso o immediatamente dopo. Il contatto con una punta in rotazione può causare lesioni ed immediatamente dopo l'uso la punta è troppo calda per essere toccata a mani nude.

Non lasciare mai incustodito il miniutensile in funzione; disconnettere sempre l'alimentazione. Solo dopo che l'utensile si è completamente fermato è possibile rimuovere il pezzo in lavorazione e pulire la base in sicurezza.

Montaggio (Figura A)

COMPLEMENTO ADATTO PER L'USO COI MINIUTENSILI DREMEL MODELLO 285, 395, 398, 400, 780 E 800.

La Workstation 220 Dremel converte il miniutensile in un trapano a colonna per operazioni di foratura, in un supporto utensile per operazioni di levigatura e lucidatura o in un supporto per utensile con albero flessibile.

1. Montare la colonna sulla base e fissarla con il bullone a testa esagonale e relativo dado quadro.
2. Inserire il dado quadrato (prima il lato più corto) nella slitta e montare la leva di regolazione altezza. Montare la slitta sulla colonna e serrare la leva.

3. Con lo strumento in posizione verticale, inserire il dado quadro nella slitta e montare la leva di bloccaggio angolo.
4. Montare il porta accessori sulla colonna con i forrellini rivolti verso l'alto.
5. Montare il ferma cavo.
6. Montare il gancio con relativo coperchio.
7. La base deve venire saldamente fissata su un tavolo da lavoro utilizzando mezzi adeguati, che non fanno parte della fornitura.

Uso

IMPORTANTE! La workstation si può usare con un solo miniutensile per volta. Evitare di appendere un miniutensile al gruppo gancio quando sulla colonna è già montato un altro miniutensile.

Il porta accessori può alloggiare gli accessori seguenti, che non fanno parte della fornitura:

- Kit di punte da trapano (Modello 628 o 636)
- Chiave dell'utensile
- Chiave di montaggio
- Punte con gambo di dimensione 3,2 mm o inferiore
- Anelli metallici per miniutensile (Modelli 480, 481, 482, 483)

NOTA: Le punte da trapano vengono assicurate al miniutensile mediante un sistema ad anelli metallici. La punta può essere installata prima o dopo l'inserimento dell'utensile nell'portautensile della slitta.

1. Tenere premuto il pulsante di bloccaggio dell'albero facendo ruotare la ghiera della pinza e l'albero. Ruotare ancora la ghiera della pinza e l'albero finché il blocco non si innesta nell'albero fermandolo (**figura B**).
2. Servendosi della chiave dell'utensile Dremel, ruotare la ghiera della pinza in senso antiorario per allentarla.
3. Rilasciare il pulsante di bloccaggio dell'albero.
4. Inserire la punta da trapano nella pinza in profondità per assicurarne il corretto bloccaggio e ridurre al minimo la scentratura. Tuttavia non inserire la punta troppo a fondo, evitando che le sue scanalature vengano a contatto con la pinza o la ghiera della pinza causandone la possibile incrinatura.

5. Premere di nuovo il pulsante di bloccaggio dell'albero e serrare la ghiera della pinza; prima a mano, poi utilizzando la chiave fino a bloccare la punta in modo sicuro.
6. Inserire il miniutensile nel portautensile della slitta con il pulsante di bloccaggio albero rivolto in avanti. Bloccare il miniutensile nel portautensile serrando l'opportuno dado (**figura C**).

NOTA: I modelli 398, 400 e 800 vanno montati con il pulsante di bloccaggio albero a destra.

NOTA: Prima di bloccare il miniutensile nel portautensile assicurarsi che sia posizionato correttamente e che le prese d'aria siano libere.

7. Ruotare la parte superiore della colonna in senso antiorario in modo da liberarla e rendere possibile la regolazione di altezza. Una volta raggiunta l'altezza desiderata ruotare la parte superiore della colonna in senso orario in modo da serrarla in posizione (**figura E**).

NOTA: Evitare di estendere la colonna con il miniutensile inserito nel portautensile.

- Inserire il cavo nei passacavi (**figura D**). I passacavi manterranno il cavo al di fuori dell'area di lavoro.
8. Il blocco di profondità serve ad eseguire fori di profondità predefinita. Per comodità sull'involucro della slitta è riportata una scala graduata.

Regolare il blocco di profondità alla profondità desiderata e serrare la manopola di bloccaggio (**figura D**).

Uso (segue)

9. Le leve di bloccaggio angolo servono a bloccare l'utensile in posizione verticale o ad un angolo di 90°. Per applicazioni di levigatura, lucidatura, smerigliatura o spazzolatura è possibile usare l'utensile ad un angolo di 15°, 30°, 45°, 60°, 75° o 90° (**figura G**).
- Allentare sia la leva grande che quella piccola e ruotare l'utensile, quindi serrarle entrambe saldamente (**figura C e D**).
10. La leva di regolazione altezza viene usata per bloccare la slitta sulla colonna all'altezza desiderata.
- Allentare la leva e posizionare il gruppo miniutensile/slitta all'altezza desiderata, quindi serrare nuovamente la leva (**figura D**).
11. Tracciare sul pezzo la posizione dei fori da eseguire e praticare un invito con un punzone in corrispondenza dei medesimi. L'invito di centraggio evita che la punta da trapano si sposti e garantisce una posizione precisa del foro.
12. Prima di iniziare la foratura bloccare accuratamente il pezzo sulla base. Ciò eviterà che il pezzo tenda a sollevarsi o ad entrare in rotazione. Si otterrà maggiore sicurezza e migliore qualità di lavorazione. Le staffe di attrezzaggio, non facenti parte della fornitura, servono ottimamente allo scopo di bloccare il pezzo da forare; in alternativa è possibile utilizzare una comune morsa (**figura H**).
13. Allentare di mezzo giro la manopola di bloccaggio della regolazione altezza e spostare la slitta sulla colonna finché la punta da trapano è in prossimità del pezzo (**figura F**). Si suggerisce di lasciare una luce massima di 6 mm tra l'estremità della punta ed il pezzo. Serrare nuovamente la manopola di bloccaggio.
14. Agendo sulla leva di movimento verticale abbassare la punta ed eseguire il foro.

Consigli utili

Per forare pezzi a simmetria circolare bloccarli mediante un blocco a "V" o una morsa. Per eseguire un foro nel centro di un pezzo rotondo occorre praticare un invito mediante un punzone (**figura I**). Utilizzare un punzone, non facente parte della fornitura, per eseguire l'invito.

Evitare di forzare talmente l'avanzamento che ne risulti una significativa riduzione della velocità del motore. Avanzare con cautela in prossimità del punto di attraversamento. Ciò permetterà di ottenere un foro con bordi regolari.

Come costruire staffe di attrezzaggio ausiliarie per la propria workstation 220

Le staffe per bloccare il pezzo in lavorazione possono essere costruite in legno, acciaio o alluminio, a seconda dell'applicazione (**figura J**).

1. Tagliare o segare il materiale della lunghezza, larghezza ed altezza necessarie.
2. Utilizzando una punta da trapano da 8 mm eseguire un foro attraverso la staffa ed il distanziale nel punto desiderato.
3. Montare le staffe utilizzando bulloni autobloccanti da 8 mm - 40 mm o 50 mm di lunghezza con opportune rondelle e galletti.

4. Montare le staffe sulla base infilando il bullone autobloccante da sotto la base e serrandolo da sopra col galletto.

Se si usano staffe per bloccare pezzi di spessore superiore a 6 mm, occorre prevedere sempre un distanziale per sostenere la parte posteriore della staffa. Per ottenere la migliore funzionalità, lo spessore del distanziale dovrebbe sempre essere inferiore a quello del pezzo di circa 3 mm.

L'assistenza

In caso di reclamo, inviare l'utensile non smontato insieme al documento fiscale comprovante l'acquisto

al proprio rivenditore o al più vicino centro assistenza Dremel (vedere gli indirizzi sul sito www.dremel.com).

Normas de seguridad para herramientas eléctricas



⚠ ADVERTENCIA

Lea atentamente todas las instrucciones (también las instrucciones de la herramienta que se utiliza con el complemento). El hecho de no cumplir todas las instrucciones podría provocar una descarga eléctrica, un incendio y/o daños personales graves.

GUARDE ESTE MANUAL DE INSTRUCCIONES

Normas de seguridad para WORKSTATION

Desenchufe la herramienta antes de ponerla en la mesa, realizar ajustes o cambiar las brocas.

Fije de forma segura la WORKSTATION a una mesa o plataforma estable antes de ponerla en funcionamiento.

Deberá saber cómo desconectar la herramienta en todo momento. Coloque la herramienta de modo que el interruptor sea fácilmente accesible para poder desconectar la herramienta en caso de emergencia.

Sítue el cable en dirección opuesta a la zona de corte o a la de la broca. Si el usuario efectúa un corte en un hilo conductor eléctrico, podría recibir un shock, sufrir quemaduras o electrocutarse.



Utilice gafas y cascos de protección así como una mascarilla antipolvo. El uso de dispositivos de seguridad personal y el trabajo en un entorno seguro reducen el riesgo de que se produzcan daños físicos personales.

No lleve guantes o prendas que no vayan ajustadas mientras utilice la herramienta.

Utilice una broca apropiada a la velocidad correspondiente a la aplicación específica. No utilice brocas que tengan un diámetro de corte superior al que pueda admitir la herramienta. El soporte de la bancada está diseñado principalmente para realizar trabajos con madera, plástico y metal de tipo ligero. En caso de sobrecargarse la herramienta, podrían producirse lesiones personales o la herramienta podría dejar de funcionar correctamente.

No utilice nunca brocas desafiladas o dañadas. Las brocas afiladas deberán manipularse con cuidado.

Asegúrese siempre de que la pieza de trabajo no contenga clavos ni otros objetos extraños.

Antes de empezar a trabajar, fije la pieza de trabajo o la abrazadera a la columna. No haga descender nunca el taladro mientras sujete una pieza de trabajo pequeña con una sola mano. Si fija la pieza de trabajo, podrá utilizar ambas manos para controlar la herramienta.

Cuando taladre, utilice un bloque con ranura en forma de "V" para sostener las piezas redondeadas como, por ejemplo, los tubos o las varillas.

El material redondo como las varillas con clavijas, los tubos o las tuberías tiene tendencia a rodar mientras se está cortando y puede hacer que la broca pique o la pieza de trabajo rebote hacia el usuario.

Cuando realice otros trabajos que no sean de taladrado, deberá ajustar y bloquear el cabezal de la herramienta en la posición y profundidad de corte deseadas. Acerque la pieza de trabajo a la herramienta y deje un espacio suficiente entre la mano y la broca giratoria.

La bancada ha sido diseñada para taladrar, lijar, cepillar, pulir o amolar; en otras aplicaciones pueden presentarse riesgos que no puedan prevenirse adecuadamente.

Si para realizar el trabajo se utiliza la parte lateral de cualquier accesorio giratorio, por ejemplo, un tambor de lijado, la pieza de trabajo deberá colocarse al lado del accesorio que gira en sentido opuesto a la dirección de avance de la pieza de trabajo. Si se coloca la pieza de trabajo en el lado del accesorio donde la dirección de avance y el giro del accesorio son iguales, el accesorio podrá tirar de la pieza de trabajo al girar y podría perderse el control durante la operación.

Nunca ponga la herramienta en marcha con la broca dentro del material.

No se aproxime a la zona de la broca giratoria. No siempre se dará cuenta de lo cerca que puede estar la broca giratoria de sus manos. La pieza de trabajo podría desplazarse o resbalarle la mano mientras manipule la pieza de trabajo.

Utilice una mascarilla antipolvo cuando trabaje con materiales que produzcan polvo perjudicial para la salud. Infórmese previamente acerca de los materiales con los que trabajará.

Después de cambiar las brocas o de efectuar algún ajuste, asegúrese de que la tuerca del porta-brocas y cualquier otro dispositivo de ajuste estén apretados con seguridad.

Nunca toque la broca durante su uso o inmediatamente después de haberla usado. El contacto con una broca giratoria puede provocar lesiones. La broca estará demasiado caliente después de haberla utilizado para poder tocarla con las manos.

Montaje (figura A)

No deje en ningún momento sin vigilar una herramienta en funcionamiento. Apáguela en caso de no pueda vigilarla. Sólo cuando una herramienta se haya detenido por completo podrá quitar la pieza de trabajo con plena seguridad y limpiar el soporte.

COMPLEMENTO PARA LOS MODELOS ROTATIVOS 285, 395, 398, 400, 780 Y 800 DE DREMEL.

La Workstation 220 de Dremel convierte las herramientas rotativas en una bancada para taladrar, en un soporte para herramientas para lijar o pulir, o en un soporte para herramientas de eje flexible.

1. Monte el tubo en la base y fíjelo con el perno hexagonal y la tuerca cuadrada.

2. Introduzca la tuerca cuadrada (con el extremo corto en primer lugar) en la taladradora e instale la palanca de reglaje de la altura. Coloque la taladradora en el tubo y apriete la palanca.
3. Con la bancada en posición vertical, introduzca la tuerca cuadrada dentro de la bancada y monte en ella la palanca de bloqueo angular.
4. Instale el engranaje de gancho en el tubo con los orificios pequeños mirando hacia arriba.
5. Instale el soporte para cables.
6. Instale el cable de suspensión y la tapa.
7. Se debe fijar la base a un banco de trabajo utilizando los accesorios del tamaño apropiado (no suministrados).

Funcionamiento

¡IMPORTANTE! La Workstation sólo puede utilizarse con una herramienta cada vez. No coloque una herramienta en el conjunto del soporte cuando otra herramienta esté montada en la bancada.

El dispositivo de engranaje de gancho para guardar herramientas puede contener las siguientes herramientas (no suministradas):

- Conjunto de brocas (modelo 628 ó 636)
- Llave de la herramienta rotativa
- Llave de montaje
- Brocas con un tamaño de vástago inferior o igual a 3,2 mm
- Portabrocas de las herramientas rotativas (modelos 480, 481, 482, 483)

NOTA: *un sistema de portabrocas sujeta las brocas en la herramienta. La broca puede instalarse antes o después de acoplar la herramienta rotativa a la bancada.*

1. Apriete el botón de bloqueo del eje y manténgalo apretado mientras gire la tuerca del portabrocas y el eje. Continúe girando la tuerca de retención y el eje hasta que el cierre quede encajado y sujete el eje (**figura B**).
2. Utilice la llave de su herramienta rotativa de Dremel y gire la tuerca del portabrocas hacia la izquierda para aflojarla.
3. Suelte el botón de bloqueo del eje.
4. Inserte la broca en el portabrocas hasta hacer tope para asegurar una sujeción adecuada de la broca y reducir el riesgo de que se salga. No inserte la broca hasta que sus ranuras toquen el portabrocas o la tuerca de retención del mismo. De esta manera evitará que la broca se rompa a pedazos o se resquebraje.

5. Vuelva a encajar el botón de bloqueo del eje y apriete la tuerca del portabrocas; hágalo primero con la mano y luego utilizando la llave hasta que la broca quede sujeta con seguridad.
6. Inserte la herramienta rotativa en la bancada con el bloqueo de eje en la parte delantera. Fije la herramienta en el soporte y apriete la tuerca de fijación (**figura C**).

NOTA: *los modelos 398, 400 y 800 se montan con el bloqueo de eje a la derecha.*

NOTE: *cuando coloque la herramienta rotativa en el soporte, compruebe que ha quedado bien fijada y los respiraderos no han quedado cubiertos.*

7. Gire el tubo superior hacia la izquierda para aflojarlo, de modo que se pueda ajustar el tubo arriba o abajo. Una vez lo haya colocado a la altura deseada, gire el tubo a la derecha para apretarlo (**figura E**).

NOTA: *no se debe extender el tubo cuando la herramienta se utiliza con el soporte para herramientas.*

Inserte el cable en los clips para cables (**figura D**). El soporte mantendrá el cable alejado de la zona de trabajo.

8. El tope de profundidad se utiliza cuando se desea taladrar agujeros a una profundidad determinada. La cubierta de la taladradora contiene una balanza para su comodidad.

Coloque el tope de profundidad a la medida requerida y apriete el botón de bloqueo (**figura D**).

Funcionamiento (continuación)

9. Las palancas de bloqueo angular se utilizan para fijar la herramienta verticalmente o en un ángulo de 90°. La herramienta se debería utilizar en un ángulo de 15°, 30°, 45°, 60°, 75° ó 90° para la aplicación de lijar, pulir, amolar o cepillar (**figura G**).
Afloje la palanca grande y la pequeña y gire la herramienta. A continuación, apriete las dos palancas de bloqueo angular. (**figuras C y D**).
10. La palanca de reglaje de la altura se utiliza para fijar el taladro en el tubo a una altura apropiada.
Afloje la palanca y mueva el conjunto de la bancada/herramienta a la posición deseada. A continuación, apriete la palanca de reglaje de la altura (**figura D**).
11. Marque las ubicaciones de los agujeros en la pieza de trabajo y perforo con un punzón en dichos puntos. Las perforaciones evitarán que la punta de la broca se desplace y asegurarán una ubicación adecuada del orificio.
12. Fije la pieza de trabajo a la base antes de taladrar. Esto evitará que la pieza de trabajo suba por la broca o gire. De esta forma se gana en seguridad y se obtiene un trabajo de mejor calidad. Las abrazaderas de apriete (no incluidas) son óptimas para sujetar la pieza de trabajo. También puede utilizar un tornillo de banco pequeño como sujeción cuando taladre (**figura H**).
13. Afloje el mando de bloqueo del reglaje de la altura media de vuelta y mueve la bancada por el tubo hasta que la punta de la broca esté cerca de la pieza de trabajo (**figura F**). Se recomienda que haya un espacio máximo de 6 mm entre la punta de la broca y la pieza de trabajo. Vuelva a apretar el mando de bloqueo.
14. Sujete el mango de la taladradora y tire hacia abajo para hacer un agujero.

Consejos útiles

Cuando taladre piezas redondas, utilice un bloque con ranura en forma de "V" o un tornillo de banco. Para taladrar un agujero en el centro de una pieza redonda, es necesario realizar una marca con un punzón (**figura I**). Utilice un punzón para realizar la marca (no incluido).

Se debe evitar la alimentación a la fuerza de modo que la velocidad del motor se vea considerablemente reducida. También se debe llevar a cabo la alimentación con cuidado cuando se acerque al punto de ruptura. Esto evitará que realicen perforaciones con los bordes mellados.

Abrazaderas de apriete opcionales para su WORKSTATION 220

Las abrazaderas de apriete pueden ser de madera, acero o aluminio, dependiendo de la aplicación (**figura J**).

1. Corte o sierre el material a la longitud, anchura y altura deseadas.
2. Haga un agujero con una broca de 8 mm en el lugar deseado, a través de la abrazadera y el separador.
3. Monte las abrazaderas de apriete utilizando tornillos de transporte de 8 mm - 40 mm ó 50 mm de longitud con arandelas y tuercas de mariposa de las mismas dimensiones.

4. Móntelas en la base, deslizando el cabezal del tornillo de transporte hasta la parte inferior de la base con las tuercas de mariposa en la parte superior.

Cuando utilice abrazaderas de apriete en piezas de trabajo que tengan más de 6 mm de grosor, utilice siempre un bloque espaciador que sirva de apoyo a la parte posterior de la abrazadera. Para obtener el mejor soporte, el bloque espaciador se debe cortar a una longitud que sea 3 mm inferior a la altura de la pieza de trabajo.

Servicios

En caso de que desee formular alguna reclamación, envíe la herramienta desmontada junto con una prueba de compra a su distribuidor o al servicio

técnico autorizado de Dremel más próximo (en www.dremel.com encontrará un listado con direcciones).

Regras de segurança para ferramentas eléctricas



AVISO

Leia e procure entender todas as instruções (incluindo as da ferramenta na qual a multi-fixação vai ser utilizada). O não cumprimento de todas as instruções poderá resultar em choque eléctrico, incêndio e/ou ferimentos graves.

GUARDE ESTAS INSTRUÇÕES

Regras de segurança para o POSTO DE TRABALHO

Retire a ficha da tomada antes de instalar a ferramenta na mesa, fazer ajustes ou trocar as pontas.

Antes de começar a trabalhar, fixe bem o POSTO DE TRABALHO ao tampo de uma mesa ou plataforma estável.

Saiba como desligar a ferramenta! Posicione a ferramenta de forma a que o interruptor fique bem acessível para desligar rapidamente a ferramenta em caso de emergência.

Afaste o cabo eléctrico da ponta e da área de corte. Cortar um cabo eléctrico com corrente pode causar choques, queimaduras ou electrocussão.



Use protecção para os olhos, protecção para os ouvidos e máscara. A utilização de equipamentos de protecção individual e o trabalho em ambientes seguros reduz o risco de ferimentos.

Não use luvas nem roupas largas durante a operação com a ferramenta.

Escolha a ponta certa e a velocidade adequada ao trabalho que vai realizar. Não use pontas com um diâmetro de corte que exceda a capacidade da ferramenta. A coluna de perfuração foi concebida essencialmente para trabalhos leves em madeira, plástico e metal. Sobrecarregar a ferramenta pode causar ferimentos ou danificar a ferramenta.

Nunca use pontas rombas nem danificadas. As pontas afiadas têm de ser manuseadas com cuidado.

Certifique-se sempre de que não haja pregos, nem outros objectos estranhos na peça a trabalhar.

Antes de começar a trabalhar, fixe a peça ou prenda-a à coluna. Nunca use uma mão para segurar uma peça pequena e a outra para deslocar a ferramenta para baixo. Se uma peça for presa com grampos, isso permitirá usar as duas mãos para manusear a ferramenta.

Use um bloco em “V” para prender materiais de superfície redonda, como, por exemplo, tubos ou barras, a fim de os furar. Os materiais de superfície redonda, como sejam varetas de madeira, tubos e condutas têm uma certa tendência para rolar durante a operação de corte, pelo que podem fazer

com que a ponta “trinque” a peça ou fazer com que esta salte na sua direcção.

É preciso, portanto, ajustar e bloquear a cabeça da ferramenta na posição e profundidade de corte desejada para realizar outras operações que não furar. Aproxime a peça da ferramenta, deixando espaço suficiente entre a sua mão e a ponta em rotação.

Esta coluna de perfuração foi concebida para furar, lixar, escovar, polir ou esmerilar. Poderá não ser possível garantir a segurança se a coluna for usada para outros fins.

Se for usada a parte lateral de um acessório rotativo, por exemplo um tambor de lixa, a peça tem de ser posicionada ao lado do acessório, que roda no sentido inverso ao do sentido de avanço da peça. Posicionar a peça ao lado do acessório, numa circunstância em que o sentido de avanço e a rotação do acessório sejam iguais, pode fazer com que a peça seja arrastada pelo acessório rotativo, provocando a perda do controlo por parte do operador.

Nunca ponha a ferramenta a funcionar com a ponta cravada no material.

Não aproxime-se da área de uma ponta em rotação. Nem sempre é fácil ao utilizador da ferramenta perceber-se da distância real a que a sua mão se encontra da ponta em rotação. A peça a trabalhar pode deslocar-se ou a mão pode escorregar durante a operação.

Use uma máscara de protecção contra o pó quando trabalhar com materiais que produzam pó prejudicial à saúde; informe-se antecipadamente acerca dos materiais com que vai trabalhar.

Depois de mudar as pontas ou de fazer quaisquer ajustes, certifique-se de que a porca de aperto e os outros dispositivos de regulação ficam firmemente apertados.

Nunca toque na ponta durante ou imediatamente a seguir ao uso. O contacto com a ponta em rotação provoca ferimentos, do mesmo modo que, depois de a usar, a ponta está demasiado quente para ser tocada com as mãos desprotegidas.

Não deixe a ferramenta a trabalhar sozinha: desligue-a. Somente quanto a ferramenta estiver completamente parada é que será seguro remover a peça e limpar a coluna de perfuração.

Montagem (figura A)

MULTI-FIXAÇÃO PARA O USO EXCLUSIVO COM AS FERRAMENTAS ROTATIVAS DREMEL MODELOS 285, 395, 398, 400, 780 E 800.

O posto de trabalho 220 da Dremel converte a sua ferramenta rotativa numa coluna de perfuração para furar, num porta-ferramentas para lixar ou polir ou ainda num suporte para ferramenta de veio flexível.

1. Monte o tubo na base e fixe-o por meio do parafuso de cabeça sextavada e da porca quadrada.
2. Insira a porca quadrada (a extremidade curta primeiro) na coluna e instale a alavanca de ajuste da

altura. Coloque a coluna sobre o tubo e aperte a alavanca.

3. Com a coluna na posição vertical, insira a porca quadrada dentro da coluna de perfuração e monte a alavanca de bloqueio do ângulo na coluna.
4. Instale o depósito para acessórios no tubo com os orifícios pequenos virados para cima.
5. Monte o suporte do cabo.
6. Instale o arame de suspensão e a capa.
7. A base tem de ser fixada a uma bancada de trabalho, usando as ferragens com o tamanho apropriado (não incluído).

Operação

IMPORTANTE! O posto de trabalho deve ser usado apenas com uma ferramenta de cada vez. Não pendure uma ferramenta no conjunto de suspensão se estiver montada outra ferramenta na coluna.

O depósito para acessórios suporta as seguintes ferramentas (não incluídas):

- Conjunto de brocas (modelo 628 ou 636)
- Chave da ferramenta rotativa
- Chave de montagem
- Pontas com encabadouro inferior ou igual a 3,2 mm
- Pinças de ferramenta rotativa (modelos 480, 481, 482, 483)

NOTA: As brocas são fixadas na ferramenta por um sistema de pinça. A ponta pode ser montada antes ou depois da instalação da ferramenta rotativa na coluna de perfuração.

1. Carregue no botão de bloqueio do veio e mantenha-o premido enquanto roda a porca de aperto e o veio. Continue a rodar a porca de aperto e o veio até o bloqueio engatar e prender o veio (**figura B**).
2. Use a chave da ferramenta rotativa Dremel e rode a porca de aperto para a esquerda para a despartar.
3. Largue o botão de bloqueio do veio.
4. Insira a broca o mais fundo possível na pinça para que a ponta fique bem presa, minimizando, assim, o risco de descentragem. Para que a ponta não lasque nem se rache, não introduza demasiado para dentro, a ponto de as espirais ficarem encostadas à pinça ou à porca de aperto.

5. Volte a engatar o botão de bloqueio do veio e aperte a porca de aperto, primeiro à mão e depois com a chave, até que a ponta fique bem imobilizada.
6. Introduza a ferramenta rotativa na coluna com o bloqueio do fuso virado para a frente. Prenda a ferramenta na respectiva braçadeira apertando a porca de aperto (**figura C**).

NOTA: Modelos 398, 400 e 800 são montados com o bloqueio do fuso para a direita.

NOTA: Ao prender a ferramenta rotativa no suporte, certifique-se de que a ferramenta está bem fixadas e de que as aberturas de ventilação estão desimpedidas.

7. Gire o tubo superior para a esquerda, a fim de o soltar, para que seja possível o ajuste em altura. Depois de ajustar a altura desejada, gire o tubo para a direita para apertá-la (**figura E**).

NOTA: O tubo não deve ser distendido se a ferramenta a ser usada estiver no porta-ferramentas.

Introduza o cabo eléctrico nas respectivas braçadeiras (**figura D**). O suporte deverá manter o cabo eléctrico afastado da área de trabalho.

8. O batente de profundidade é usado para fazer furos com uma determinada profundidade. Para esse efeito, existe uma escala na carcaça da coluna.

Ajuste o batente para a profundidade desejada e aperte o respectivo botão de bloqueio (**figura D**).

Operação (continuação)

9. As alavancas de bloqueio do ângulo são usadas para fixar a ferramenta, tanto na vertical, como num ângulo de 90°. A ferramenta pode ser usada num ângulo de 15°, 30°, 45°, 60°, 75° ou 90° para lixar, polir, esmerilar ou escovar (**figura G**).

Solte as alavancas, a grande e a pequena, e gire a ferramenta, depois aperte bem ambas alavancas de bloqueio do ângulo (**figuras C e D**).

10. A alavanca de ajuste da altura é usada para segurar a coluna ao tubo à altura adequada.

Solte a alavanca e desloque o conjunto coluna/ferramenta para a posição desejada, depois aperte a alavanca de ajuste da altura (**figura D**).

11. Marque a localização dos furos na peça a trabalhar com um punção. A marcação do furo com um punção facilita a centragem da broca, evitando que ela escape, assegurando assim a localização correcta do furo.

12. Fixe a peça a trabalhar na base antes de começar a furar. Desta forma evita que a peça saia do lugar ou gire juntamente com a broca. O resultado é uma maior segurança e uma melhor qualidade de trabalho. Os grampos de retenção (não incluídos) são excelentes para segurar a peça. Em alternativa poderá usar um torno pequeno (**figura H**).

13. Solte o botão de bloqueio de ajuste da altura, dando 1/2 volta, e desloque a coluna ao longo do tubo, até que a ponta da broca fique próxima da peça a trabalhar (**figura F**). É recomendável deixar no máximo 6 mm entre a ponta da broca e a peça. Volte a apertar o botão de bloqueio.

14. Agarre na alavanca da coluna e pressione-a para baixo para fazer o furo.

Dicas úteis

Ao furar peças redondas, use um bloco em “V” ou um torno. Para fazer um furo no centro de uma peça redonda, é necessário marcar o centro com um punção (**figura I**). Use um punção de centragem para marcar o centro (não incluído).

Não pressione excessivamente a broca contra a peça a ponto de as rotações do motor diminuírem consideravelmente. De igual forma, deverá avançar mais devagar quando estiver próximo de concluir o furo. Desse modo, evitará que as arestas do furo lasquem.

Fazer grampos de retenção opcionais para o posto de trabalho 220

Os grampos de retenção podem ser feitos de madeira, aço ou alumínio, dependendo da sua aplicação (**figura J**).

1. Corte ou serre o material no comprimento, na largura ou na altura desejada.
2. Faça um furo usando uma broca de 8 mm na ponta pretendido, por meio da braçadeira e do espaçador.
3. Monte os grampos de retenção usando parafusos de cabeça quadrada de 8 mm - 40 mm ou 50 mm de comprimento, mais as respectivas anilhas e porcas de orelhas/arruelas.

4. Monte os grampos na base, introduzindo os parafusos de cabeça quadrada de baixo para cima na base, de forma a que as porcas de orelhas/arruelas fiquem do lado de cima.

Se usar grampos de retenção em peças com mais de 6 mm de espessura, use sempre um bloco espaçador para apoiar a parte de trás do grampo. Para um apoio melhor, o bloco espaçador deve ter menos 3 mm em altura que a peça.

Assistência Técnica

Em caso de reclamação, envie a ferramenta por desmontar, juntamente com o comprovativo de compra, para o seu agente autorizado ou para o posto de as-

sistência técnica Dremel mais próximo (os endereços estão listados em www.dremel.com).

Κανόνες ασφαλείας ηλεκτρικών εργαλείων



▲ ΠΡΟΕΙΔΟΠΟΙΗΣΗ

Διαβάστε και κατανοήστε όλες τις οδηγίες (συμπεριλαμβανομένων και των οδηγιών του εργαλείου, με το οποίο χρησιμοποιείται το προσάρτημα). Η μη συμμόρφωση με τις οδηγίες μπορεί να οδηγήσει σε ηλεκτροπληξία, φωτιά και/ή σε σοβαρό τραυματισμό του χειριστή.

ΦΥΛΑΞΤΕ ΑΥΤΕΣ ΤΙΣ ΟΔΗΓΙΕΣ

Κανόνες ασφαλείας για WORKSTATION

Αποσυνδέστε το εργαλείο από την παροχή του ρεύματος προτού να το εναποθέσετε στον πάγκο, να εκτελέσετε ρυθμίσεις ή να αλλάξετε τρυπάνια.

Σφίξτε καλά το WORKSTATION σε έναν σταθερό πάγκο ή σε μια σταθερή επιφάνεια προτού να το θέσετε σε λειτουργία.

Μάθετε να απενεργοποιείτε το εργαλείο! Τοποθετήστε το εργαλείο έτσι ώστε ο διακόπτης να είναι εύκολα προσιτός, για μια γρήγορη απενεργοποίηση σε περίπτωση ανάγκης.

Τοποθετήστε το καλώδιο μακριά από το τρυπάνι ή την περιοχή κοπής. Το κόψιμο σε ρευματοφόρα ηλεκτρικά σύρματα μπορεί να οδηγήσει σε ηλεκτροπληξία, εγκαύματα ή ακόμα και σε θανατηφόρα ηλεκτροπληξία.



Φοράτε προστατευτικά γυαλιά, προστασία ακοής (ωτοασπίδες) και μάσκα προστασίας από τη σκόνη. Η χρήση του προσωπικού εξοπλισμού ασφαλείας και η εργασία σε ασφαλές περιβάλλον μειώνει τον κίνδυνο τραυματισμού.

Μη φοράτε γάντια ή φαρδιά ρούχα κατά τη διάρκεια της λειτουργίας του εργαλείου.

Χρησιμοποιείτε το κατάλληλο τρυπάνι και ταχύτητα για την εργασία σας. Μη χρησιμοποιείτε τρυπάνια, τα οποία έχουν μια διάμετρο κοπής που ξεπερνά τη δυνατότητα του εργαλείου. Η βάση δράπανου προορίζεται κυρίως για ελαφρές εργασίες σε ξύλο, πλαστικό και μέταλλο. Η υπερφόρτωση του εργαλείου μπορεί να οδηγήσει σε τραυματισμούς ατόμων ή σε ζημιές του εργαλείου.

Μη χρησιμοποιείτε ποτέ αμβλυμένα ή χαλασμένα τρυπάνια. Τα κοφτερά τρυπάνια πρέπει να χρησιμοποιούνται με προσοχή.

Προσέχετε πάντοτε, να είναι το επεξεργαζόμενο κομμάτι ελεύθερο από καρφιά και άλλα ξένα σώματα.

Πριν την εργασία σφίξτε το επεξεργαζόμενο κομμάτι ή στηρίξτε το πάνω στην κολόνα. Ποτέ μην κρατήσετε ένα μικρό επεξεργαζόμενο τεμάχιο με το ένα χέρι και κατεβάσετε το τρυπάνι. Στερεώνοντας ένα επεξεργαζόμενο τεμάχιο μπορείτε να χρησιμοποιήσετε και τα δύο χέρια για τον έλεγχο του εργαλείου.

Όταν τρυπάτε, χρησιμοποιείτε ένα στήριγμα “V” για τη στήριξη στρογγυλών αντικειμένων, π.χ. όπως σωλήνες ή ράβδοι. Τα στρογγυλά υλικά, όπως ράβδοι, σωλήνες ή εύκαμπτοι σωλήνες έχουν την τάση να κυλούν καθώς κόβονται και μπορεί να προκαλέσουν το “δάγκωμα” του τρυπανιού ή την αναπήδηση του επεξεργαζόμενου κομματιού προς το μέρος σας.

Πρέπει να τοποθετείτε και να ασφαλίσετε την κεφαλή του εργαλείου στην επιθυμητή θέση και στο βάθος κοπής, όταν εκτελείτε διαφορετικές από τρύπημα εργασίες. Φέρτε το επεξεργαζόμενο κομμάτι στο εργαλείο και αφήστε αρκετή απόσταση ανάμεσα στο χέρι σας και στο περιστρεφόμενο τρυπάνι.

Η βάση δράπανου έχει κατασκευαστεί για τρύπημα, τρίψιμο, βούρτσισμα, γυάλισμα ή τρόχισμα, άλλες εφαρμογές μπορούν να επιφέρουν κινδύνους, οι οποίοι δεν μπορούν να ελεγχθούν ικανοποιητικά.

Όταν χρησιμοποιείται η πλευρά ενός περιστροφικού εξαρτήματος για την εκτέλεση της εργασίας, για παράδειγμα μια σβούρα τριψίματος, τότε το επεξεργαζόμενο κομμάτι πρέπει να τοποθετηθεί στην πλευρά του εξαρτήματος, η οποία περιστρέφεται ενάντια στην κατεύθυνση εργασίας του επεξεργαζόμενου κομματιού. Η τοποθέτηση του επεξεργαζόμενου κομματιού στην πλευρά του εξαρτήματος, στην οποία η κατεύθυνση εργασίας και η περιστροφή του εξαρτήματος είναι η ίδια, μπορεί να προκαλέσει το τράβηγμα του επεξεργαζόμενου κομματιού από το περιστρεφόμενο εξάρτημα και να οδηγήσει στην απώλεια του ελέγχου κατά τη διάρκεια της εργασίας.

Μην ενεργοποιείτε ποτέ το εργαλείο, όταν το τρυπάνι βρίσκεται σε επαφή με το υλικό.

Μην απλώνετε το χέρι σας στην περιοχή του περιστρεφόμενου τρυπανιού. Η απόσταση του περιστρεφόμενου τρυπανιού από το χέρι σας μπορεί να μην είναι πάντοτε εμφανής. Το επεξεργαζόμενο κομμάτι μπορεί να μετακινήθει ή το χέρι σας μπορεί να γλιστρήσει κατά τη διάρκεια της εργασίας.

Όταν εργάζεστε με υλικά, τα οποία δημιουργούν σκόνη που είναι επιβλαβής στην υγεία, φοράτε μια μάσκα προστασίας από τη σκόνη. Πληροφορηθείτε εκ των προτέρων σχετικά με τα υλικά που πρόκειται να επεξεργαστείτε.

Μετά την αλλαγή των τρυπανιών ή μετά την πραγματοποίηση οποιονδήποτε ρυθμίσεων, βεβαιωθείτε ότι ο σφιγκτήρας και κάθε άλλη διάταξη ρύθμισης είναι καλά σφιγμένοι.

Μην αγγίζετε το τρυπάνι ποτέ κατά τη διάρκεια ή αμέσως μετά τη χρήση. Η επαφή με ένα περιστρεφόμενο τρυπάνι προκαλεί τραυματισμούς, μετά τη χρήση το τρυπάνι είναι πολύ ζεστό, για να το πιάσετε με γυμνά χέρια.

Μην αφήνετε ένα κινούμενο εργαλείο χωρίς παρακολούθηση, κλείνετε το ρεύμα. Μόνο όταν το εργαλείο ακινητοποιηθεί εντελώς μπορείτε με ασφάλεια να αφαιρέσετε το επεξεργαζόμενο κομμάτι και να καθαρίσετε τη βάση.

Συναρμολόγηση (Εικόνα Α)

ΠΡΟΣΑΡΤΗΜΑ ΓΙΑ ΧΡΗΣΗ ΜΕ ΤΑ ΜΟΝΤΕΛΑ ΠΕΡΙΣΤΡΟΦΙΚΩΝ ΕΡΓΑΛΕΙΩΝ DREMEL 285, 395, 398, 400, 780 ΚΑΙ 800.

Το Workstation 220 της Dremel μετατρέπει τα περιστροφικά σας εργαλεία σε μια βάση δράπανου για τρύπημα, σ' ένα στήριγμα εργαλείου για τρίψιμο και γυάλισμα ή σε μια βάση εργαλείου εύκαμπτου άξονα.

1. Συναρμολογήστε την κολόνα στη βάση και ασφαλίστε την με εξαγωνικό κοχλία και τετράγωνο παξιμάδι.
2. Περάστε το τετράγωνο παξιμάδι (πρώτα το κοντό άκρο) στη βάση του δράπανου και τοποθετήστε το μοχλό ρύθμισης του ύψους. Τοποθετήστε τη βάση του δράπανου στην κολόνα και σφίξτε το μοχλό.

3. Με τη βάση του δράπανου σε κάθετη θέση, περάστε το τετράγωνο παξιμάδι μέσα στη βάση του δράπανου και συναρμολογήστε το μοχλό ασφάλισης της γωνιάς στη βάση του δράπανου.
4. Τοποθετήστε τη θήκη στην κολόνα με τις μικρές τρύπες να δείχνουν προς τα επάνω.
5. Τοποθετήστε το στήριγμα του καλωδίου.
6. Τοποθετήστε το σύρμα ανάρτησης και το καπάκι.
7. Η βάση πρέπει να ασφαλιστεί σ' έναν πάγκο εργασίας, χρησιμοποιώντας το κατάλληλο μέγεθος μικροϋλικών (δεν παραδίδονται).

Χειρισμός

ΣΗΜΑΝΤΙΚΟ! Το Workstation μπορεί να χρησιμοποιηθεί μόνο με ένα εργαλείο κάθε φορά. Μην αναρτήσετε ένα εργαλείο στο εξάρτημα ανάρτησης, όταν είναι στερεωμένο ένα άλλο εργαλείο στη βάση του δράπανου.

Η θήκη στην κολόνα για την τοποθέτηση των εργαλείων συγκρατεί τα ακόλουθα εργαλεία (δεν παραδίδεται):

- Σετ τρυπανιών (μοντέλο 628 ή 636)
- Κλειδί τσοκ περιστροφικού εργαλείου
- Κλειδί στερέωσης
- Τρυπάνια με μέγεθος στελέχους μικρότερο ή ίσο με 3,2 mm
- Φωλιές περιστροφικού εργαλείου (μοντέλα 480, 481, 482, 483)

ΥΠΟΔΕΙΞΗ: Τα τρυπάνια συγκρατούνται στο εργαλείο με ένα σύστημα φωλιάς. Το τρυπάνι μπορεί να τοποθετηθεί πριν ή μετά την τοποθέτηση του περιστροφικού εργαλείου στη βάση δραπάνου.

1. Πατήστε και κρατήστε πατημένο το κουμπί κλειδώματος του άξονα, ενώ περιστρέφετε το σφικκτήρα και τον άξονα. Συνεχίστε να περιστρέφετε το σφικκτήρα και τον άξονα, ώσπου να ασφαλίσει η μηχανή και να κλειδώσει τον άξονα (**εικόνα Β**).
2. Χρησιμοποιήστε το κλειδί από το περιστροφικό σας εργαλείο Dremel και περιστρέψτε το σφικκτήρα αριστερόστροφα, για να τον λύσετε.
3. Αφήστε το κουμπί κλειδώματος του άξονα ελεύθερο.
4. Περάστε το τρυπάνι μέσα στη φωλιά όσο γίνεται πιο βαθιά, για να εξασφαλίσετε τη σωστή πρόσδεση του τρυπανιού και να ελαχιστοποιήσετε τον κίνδυνο χαλάρωσης. Μην εισάγετε όμως το τρυπάνι τόσο βαθιά, ώστε τα αυλάκια να έρχονται σε επαφή με τη φωλιά ή το σφικκτήρα, για να αποφύγετε το σπάσιμο ή τη ρωγμή του τρυπανιού.

5. Πατήστε ξανά το κουμπί κλειδώματος του άξονα και σφίξτε το σφικκτήρα πρώτα με το χέρι και μετά χρησιμοποιώντας το κλειδί, ώσπου να στερεωθεί το τρυπάνι σταθερά.
6. Περάστε το περιστροφικό εργαλείο μέσα στη βάση του δράπανου με το κλειδί του άξονα μπροστά. Σφίξτε το εργαλείο στο βραχίονα στήριξης του εργαλείου, σφίγγοντας το παξιμάδι σύσφιξης (**εικόνα C**).

ΥΠΟΔΕΙΞΗ: Τα μοντέλα 398, 400 και 800 στερεώνονται με το κλειδί του άξονα προς τα δεξιά.

ΥΠΟΔΕΙΞΗ: Όταν σφίγγετε το περιστροφικό εργαλείο στο στήριγμα, βεβαιωθείτε, ότι το εργαλείο είναι σωστά προσαρμοσμένο και τα ανοίγματα εξαερισμού δεν είναι καλυμμένα.

7. Περιστρέψτε το επάνω μέρος της κολόνας αριστερόστροφα για να το λύσετε και να μπορέσετε να ρυθμίσετε την κολόνα επάνω ή κάτω. Μετά την επίτευξη του επιθυμητού ύψους, περιστρέψτε την κολόνα δεξιόστροφα, για να την σφίξετε (**εικόνα Ε**).

ΥΠΟΔΕΙΞΗ: Η κολόνα δεν πρέπει να επεκταθεί, όταν το εργαλείο χρησιμοποιείται στο στήριγμα του εργαλείου.

Περάστε το καλώδιο μέσα στους σφικκτήρες του καλωδίου (**εικόνα D**). Το στήριγμα κρατά το καλώδιο μακριά από την περιοχή εργασίας.

8. Ο οδηγός βάθους χρησιμοποιείται, όταν θέλετε να ανοίξετε τρύπες σ' ένα καθορισμένο βάθος. Μια κλίμακα στο περιβήλημα της βάση του δράπανου σας διευκολύνει.

Ρυθμίστε τον οδηγό βάθους στο επιθυμητό βάθος και σφίξτε το κουμπί ασφάλισης του οδηγού βάθους (**εικόνα D**).

Χειρισμός (συνέχεια)

9. Οι μοχλοί ασφάλισης της γωνίας χρησιμοποιούνται, για την ασφάλιση του εργαλείου κάθετα ή σε μια γωνία 90°. Το εργαλείο μπορεί να χρησιμοποιηθεί σε μια γωνία 15°, 30°, 45°, 60°, 75° ή 90° για τρίψιμο, γυάλισμα, τρόχισμα ή βούρτσισμα **(εικόνα G)**.
Λύστε το μεγάλο και το μικρό μοχλό και στρέψτε το εργαλείο, μετά σφίξτε προσεκτικά τους δύο μοχλούς ασφάλισης της γωνίας **(εικόνα C και D)**.
10. Ο μοχλός ρύθμισης του ύψους χρησιμοποιείται, για την ασφάλιση της βάσης δράπανου στην κολόνα στο σωστό ύψος.
Λύστε το μοχλό και μετακινήστε τη διάταξη βάσης δράπανου/εργαλείου στην επιθυμητή θέση, μετά σφίξτε το μοχλό ρύθμισης του ύψους **(εικόνα D)**.
11. Σημαδεύστε τις θέσεις των οπών στο επεξεργαζόμενο κομμάτι και ποντάρτε αυτές τις θέσεις. Το ποντάρισμα εμποδίζει το γλιστρήμα από το σημείο τρυπήματος και εξασφαλίζει μια σωστή θέση της οπής.
12. Ασφαλίστε το επεξεργαζόμενο κομμάτι στη βάση πριν το τρύπημα. Αυτό εμποδίζει το επεξεργαζόμενο κομμάτι να ανέβει στο τρυπάνι ή να περιστρέφεται επί τόπου. Το πλεονέκτημα είναι ασφάλεια και καλύτερη ποιότητα εργασίας. Σφικκτήρες συγκράτησης (δε συμπεριλαμβάνονται) είναι πολύ καλοί για τη συγκράτηση του επεξεργαζόμενου κομματιού, διαφορετικά χρησιμοποιείτε μια μικρή μέγκενη γενικής χρήσης για τη συγκράτηση κατά το τρύπημα **(εικόνα H)**.
13. Λύστε το κουμπί ασφάλισης της ρύθμισης του ύψους κατά 1/2 στροφή και μετακινήστε τη βάση δράπανου πάνω στην κολόνα μέχρι να βρεθεί η μύτη του τρυπανιού κοντά στο επεξεργαζόμενο κομμάτι **(εικόνα F)**. Συνιστάται μια μέγιστη απόσταση 6 mm μεταξύ της μύτης του τρυπανιού και του επεξεργαζόμενου κομματιού. Ξανασφίξτε το κουμπί ασφάλισης.
14. Πιάστε τη λαβή πίεσης και τραβήξτε την κάτω στο σημείο τρυπήματος.

Χρήσιμες υποδείξεις

Όταν τρυπάτε στρογγυλά κομμάτια, χρησιμοποιείτε μια βάση "V" ή μια μέγκενη. Για το τρύπημα μιας οπής στο κέντρο ενός στρογγυλού κομματιού, είναι απαραίτητο το ποντάρισμα του σημείου τρυπήματος **(εικόνα I)**. Χρησιμοποιείτε μια πόντα για να κάνετε το ποντάρισμα (δε συμπεριλαμβάνεται).

Αποφύγετε την εφαρμογή μεγάλης δύναμης, έτσι που να μειωθεί αισθητά ο αριθμός των στροφών του κινητήρα. Επίσης πιέζετε προσεκτικά, όταν πλησιάζετε το σημείο της διάνοιξης. Αυτό αποφεύγει τη δημιουργία ακανόνιστων ακμών διάνοιξης.

Προαιρετική κατασκευή σφικκτών συγκράτησης για το Workstation 220

Οι σφικκτρες συγκράτησης μπορούν να κατασκευαστούν από ξύλο, χάλυβα ή αλουμίνιο, ανάλογα με την εργασία σας **(εικόνα J)**.

1. Κόψτε ή προιόνιστε το υλικό στο επιθυμητό μήκος, πλάτος και ύψος.
 2. Ανοίξτε μια τρύπα, χρησιμοποιώντας ένα τρυπάνι 8 mm στην επιθυμητή θέση, μέσα από το σφικκτρήρα και τον αποστάτη.
 3. Τοποθετήστε το σφικκτρήρα συγκράτησης, χρησιμοποιώντας κοχλίες μήκους 8 mm - 40 mm ή 50 mm και προσαρμόζοντάς τους με ροδέλες και παξιμάδια τύπου πεταλούδας.
 4. Τοποθετήστε τον στη βάση, περνώντας την κεφαλή του κοχλία μέσα στο πάτο της βάσης με τα παξιμάδια τύπου πεταλούδας στο επάνω μέρος.
- Όταν χρησιμοποιείτε σφικκτρες συγκράτησης σε επεξεργαζόμενα κομμάτια που έχουν πάχος μεγαλύτερο από 6 mm, τότε χρησιμοποιείτε πάντοτε έναν αποστάτη, για την υποστήριξη της πίσω πλευράς του σφικκτρήρα. Για την καλύτερη στήριξη, ο αποστάτης πρέπει να κοπεί περίπου 3 mm μικρότερος στο ύψος από το επεξεργαζόμενο κομμάτι.
- Σε περίπτωση διαμαρτυρίας, στείλτε το εργαλείο συναρμολογημένο μαζί με την απόδειξη αγοράς στον προμη-

Σέρβις

θευτή σας ή στο πλησιέστερο συνεργείο σέρβις της Dremel (οι διευθύνσεις υπάρχουν κάτω από www.dremel.com).

A gép biztonság előírásai



▲ FIGYELMEZTETÉS

Kérjük, olvassa el az összes utasítást (beleértve annak a gépnek az utasításait is, amellyel a szerelvényt használja)! Ha elmulasztja követni az utasításokat, áramütést, tüzet és/vagy súlyos személyi sérüléseket okozhat.

TARTSA BE EZEKET AZ UTASÍTÁSOKAT

A MUNKAÁLLOMÁS biztonsági előírásai

Mielőtt beállításokat végezne az asztalon vagy szerszámot cserélne, áramtalanítsa a szerszámot.

Használat előtt, biztonságosan rögzítse a MUNKAÁLLOMÁST egy stabil asztalra vagy talapzatra.

Legyen tisztában azzal, hogy miként lehet kikapcsolni a szerszámot! Olyan módon helyezze el a szerszámot, hogy a kapcsoló könnyen elérhető legyen, hogy vészhelyzet esetén gyorsan leállíthassa.

A vezetékert tartsa távol a fúrószártól vagy a vágási területtől. Ha megvágja az elektromos vezetékert, áramütést vagy égést okozhat.



Viseljen védőszemüveget, fülvédőt és porvédő maszkot! A személyi védőfelszerelések használata és a biztonságos környezetben történő munkavégzés csökkenti a sérülés veszélyét.

Ne viseljen kesztyűt vagy laza ruházatot a szerszám használat alatt.

Válasszon az adott alkalmazásnak megfelelő fúrószárat és sebességet. Ne használjon olyan fúrószárat, amelynek átmérője meghaladja a szerszám vágókapacitását. A oszlopos fúrógép állvány elsősorban kis igénybevételű alkalmazásokra, fa műanyag és fém feldolgozására készült. A szerszám túlterhelése személyi sérülésekhez vagy a szerszám meghibásodásához vezethet.

Soha ne használjon tompa vagy sérült fúrószárat. Az éles fúrószárat óvatosan kezelje.

Mindig győződjön meg róla, hogy a munkadarab nem tartalmaz szegeket vagy egyéb idegen tárgyakat.

A művelet előtt rögzítse a befogókkal a munkadarabot, vagy támassza az oszlophoz. Soha ne tartson egy kis méretű munkadarabot az egyik kezével, miközben leereszti a szerszámot. A munkadarab rögzítése lehetővé teszi, hogy mindkét kezét használni tudja a szerszám irányítására.

A hengeres darabok, pl. csövek vagy rudak fúrásánál, a kitámasztáshoz használjon egy "V" blokkot. A hengeres anyagok, például csapszeg, csövek vagy perselyek hajlamosak elgörbülni a

megmunkálás során és emiatt a fúró megszorulhat vagy a munkadarab Ön felé ugorhat.

A fúrástól eltérő műveletek végzése esetén, be kell állítania a szerszámtartó fejet a kívánt helyzetbe és vágási mélységre. Közelítse a munkadarabot a szerszámmoz, olyan módon, hogy elegendő távolságot hagyjon a kezei és a forgó szerszám között.

Ez az oszlopos fúrógép kizárólag fúrásra, csiszolásra, keféss tisztításra, fényezésre vagy köszörülésre lett tervezve, egyéb alkalmazások esetén ellenőrizhetetlen veszélyhelyzetek állhatnak fenn.

Ha a forgó tartozék valamelyik oldala végzi a munkát, mint pl. egy csiszolódob esetén, a munkadarabot mindig a tartozék azon oldalára kell helyezni, ahol a forgásirány ellentétes a munkadarab előtolási irányával. Ha a munkadarabot arra az oldalra helyezi, ahol a forgásirány megegyezik az előtolás irányával, fennáll a lehetőség, hogy a forgó tartozék eltolja a munkadarabot, amely esetben elveszítheti az irányítást a művelet közben.

Soha ne indítsa el a szerszámot amikor a fúrószár beakadt a munkadarab anyagába.

Ne nyúljon be a forgó fúró területére. Nem mindig látható, hogy a forgó fúró milyen közel van a kezéhez. A művelet közben a munkadarab elmozdulhat, vagy az Ön keze megcsúszhat a munkadarabon.

Ha egészségre káros, poros anyaggal dolgozik, viseljen porvédő maszkot! Munkavégzés előtt tájékozódjon a megmunkálandó anyagról!

A fúrószár cseréje, vagy valamilyen beállítás elvégzése után, mindig győződjön meg arról, hogy a befogóanyát, valamint a többi beállított elemet biztonságosan megszorította-e.

Soha ne érintse meg a fúrószárat a használat közben, vagy közvetlenül az után. A forgó fúrószár megérintése sérülést okozhat, közvetlenül a használat után pedig a fúrószár túl forró a pusztán kézzel való érintéshez.

Ne hagyja a szerszámgépet felügyelet nélkül működni, mindig kapcsolja ki. Csak a szerszámgép teljes leállása után távolíthatja el biztonságosan a munkadarabot és tisztíthatja meg az állványt.

Összeszerelés (A ábra)

A DREMEL SZERSZÁMGÉPEK 285, 395, 398, 400, 780 ÉS 800-AS MODELLJEIVEL HASZNÁLHATÓ SZERELVÉNY.

A Dremel 220 Munkaállomás a szerszámgépet oszlopos fűrőgéppé alakítja a fűrőshoz, szerszámtartóvá a köszörléshez és csiszoláshoz, vagy egy állványra, a flexibilis tengellyel működő szerszámokhoz.

1. Illessze a csövet az alapra és rögzítse a hatlapfejú csavarral, valamint a négylapú anyával.
2. Illessze a tartóba a négylapú anyát (a rövidebb oldalával kezdve), és szerelje fel a magasságállí-

tó kart. Helyezze a tartót a csőre és szorítsa meg a kart.

3. A tartót függőleges helyzetben tartva, illessze a négylapú anyát a tartó belsejébe és szerelje fel a szöghelyzet-rögzítő kart.
4. Szerelje fel a tartógyűrűt, úgy, hogy a kis furatok felfelé nézzenek.
5. Szerelje fel a hálózati csatlakozószinór tartóját.
6. Szerelje fel az akasztóhuzalt és a fedelet.
7. Az alaplapot rögzítse a munkaasztalhoz egy megfelelő méretű szerelvényvel (nem tartozék).

Üzemeltetés

FONTOS! A Munkaállomást egyszerre csak egy szerszámmal használja. Ne akasszon egy szerszámot az akasztószerelvényre, amikor egy másik szerszámot szerelt a tartóba.

A tartógyűrű tárolórészébe az alábbi szerszámokat helyezheti (nem tartozékok):

- Fűrőszár készlet (628 vagy 636 modell)
- Szerszámgép csavarkulcs
- Szerelő csavarkulcs
- Legfeljebb 3,2 mm szárméretű fűrőszárak
- Szerszámgép befogóhüvelyek (480, 481, 482, 483 modellek)

MEGJEGYZÉS: A fűrőszárát egy befogóhüvelyrendszer tartja a szerszámgépben. A fűrőszárát csak azután szerelje fel, miután a szerszámgépet beszerelte a tartóba.

1. Amíg a befogóanyát és a tengelyt forgatja, tartsa lenyomva a tengelybiztosító gombot. Addig forgassa a befogóanyát és a tengelyt, amíg a rögzítőszerkezet megfogja és tartja a tengelyt (**B ábra**).
2. A Dremel szerszámgép csavarkulcsával, az óramutató járásával ellentétes irányba forgatva, lazítsa meg a befogóanyát.
3. Engedje ki a tengelybiztosító gombot.
4. Illessze a fűrőszárát a befogóhüvelybe, amilyen mélyen csak lehet, hogy biztosítsa a megfelelő befogást és csökkentse a fűrő ütését. Ne fogja be a fűrőszárát olyan mélyen, hogy a forgács-hornyok elérjék a befogóhüvelyt vagy a befogóanyát, hogy elkerülje a fűrőszár kicsorbulását vagy megrepedését.

5. Újra nyomja le a tengelybiztosító gombot és szorítsa meg a befogóanyát; előbb kézzel, majd a csavarkulcs használatával, amíg az biztosan rögzíti a fűrőszárát.

6. Helyezze a szerszámgépet a tartóállványba, úgy, hogy a tengelyreatesz előre nézzen. A rögzítőanya megszorításával rögzítse a szerszámgépet a tartóban (**C ábra**).

MEGJEGYZÉS: A 398, 400 és 800-as modelleket úgy szerelje fel, hogy a tengelyreatesz a jobb oldalon legyen.

MEGJEGYZÉS: Amikor befogja a szerszámgépet a tartóba, győződjön meg róla, hogy az megfelelően megfeszít-e és a szellőzőnyílások nincsenek eltakarva.

7. A cső felső részét forgassa az óramutató járásával ellentétes irányba, hogy meglazítsa a csövet és lehetővé tegye a magasság beállítását. Miután elérte a kívánt magasságot, az óramutató járásával meg egyező irányba forgatva, szorítsa meg a csövet (**E ábra**).

MEGJEGYZÉS: A csövet nem szabad meghosszabbítani, amikor a szerszámot a szerszámtartóban használja.

Illessze be a hálózati csatlakozószinórt a tartókapcsokba (**D ábra**). A tartó a vezetékét így távol tartja a munkaterülettől.

8. A mélységütköző abban az esetben használja, ha megadott mélységű furatok kíván készíteni. A tartó burkolatán lévő mélység-skála ebben a segítségére lehet.

Állítsa a mélységütközőt a kívánt mélységre, és szorítsa meg a mélységütköző-rögzítő gombot (**D ábra**).

Használat (folytatás)

9. A szöghelyzet-rögzítő karok segítségével a szerszám gép függőlegesen, vagy 90° szögben rögzíthető. Csiszoló, polírozó, kőszőrűlő vagy keféstisztító alkalmazások esetén a szerszám gép 15°, 30°, 45°, 60°, 75° vagy 90° szögben is használható (**G ábra**).
- Lazítsa meg a nagy- és karokat, forgassa a szerszám gépet a kívánt helyzetbe, majd szorítsa meg mindkét szöghelyzet-rögzítő kart (**C és D ábra**).
10. A magasságállító kar használatával a szerszám tartót a kívánt magasságban rögzítheti a csövön.
- Lazítsa meg a kart, állítsa a tartó/szerszám gép szerelvény a kívánt helyzetbe, majd szorítsa meg a magasságállító kart (**D ábra**).
11. Egy pontozóval jelölje meg a furatok helyét a munkadarabon. A pontozással megelőzheti a fúró elcsúszását és biztosítja, hogy a furat a megfelelő helyre kerüljön.
12. A fúrás előtt, rögzítse a munkadarabot az alaplaphoz. Ezzel megelőzheti, hogy a munkadarab elkezdjen forogni, vagy felcsússzon a fúróhegyre. Ez a feltétele a biztonságos és jó minőségű munkavégzésnek. A munkadarab befogására kiválóan alkalmasak a befogóelemek (nem tartozékok), de egy kis méretű satut is használhat a munkadarab rögzítésére a fúrás idejére (**H ábra**).
13. Egy félfordulattal lazítsa meg a magasságállító rögzítógombot, és tartót állítsa a csövön olyan helyzetbe, hogy a fúró hegye megközelítse a munkadarabot (**F ábra**). A fúró hegye és a munkadarab között legfeljebb 6 mm távolság ajánlott. Szorítsa meg a rögzítógombot.
14. Fogja meg a nyomókart, és húzza le a fúráshoz.

Hasznos ötletek

Kör alakú munkadarabok fúrásához, használjon egy "V" blokkot vagy egy satut. Egy kör alakú darab központi fúrásához, egy központi jelölés szükséges (**I ábra**). A központot egy központozó használatával jelölheti meg (nem tartozék).

Kerülje el az erőtetett előretolást olyan mértékben, hogy a motor hangja érezhetően lehalkuljon. Ezen felül, amikor az áttörési pontot közelít, óvatosan tolja előre a fúrót. Ilyen módon elkerülheti, hogy a furat ellenoldali szélei töredezettek legyenek.

Opcionális befogóelemek készítése a 220 Munkaállomáshoz

A befogóelemeket fából, acélból vagy alumíniumból készítheti, az adott alkalmazástól függően (**J ábra**).

- Vágjon vagy fűrészeljen kívánt méretű darabokat.
- Egy 8 mm-es fúróval, a kívánt helyen, fúrja ki a tartóelemeket és a távtartókat.
- A tartóelemeket 8 mm átmérőjű, 40 vagy 50 mm hosszú tartócsavarokkal rögzítse, megfelelő alátétek és szárnyasanyák használatával.

4. A tartóelemek felszereléséhez az alaplapra, a csavarokat alulról helyezze be, úgy, hogy a szárnyasanyák legyenek felül.

6 mm-nél vastagabb darabok fúrásánál, a tartóelem hátoldalának kitámasztásához, mindig használjon távtartót. A legjobb kitámasztást akkor éri el, ha a távtartó kb. 3 mm-el alacsonyabb, mint a munkadarab.

Szerviz

Panasz esetén, küldje a szerszám gépet, szétszedetlen állapotban, a vásárlást igazoló dokumentummal együtt, a forgalmazóhoz vagy a legközelebbi Dremel

szervizbe (a címek listáját a www.dremel.com weboldalon találhatja).

Bezpečnostní předpisy pro používání elektrického nářadí



VAROVÁNÍ Prostudujte si všechny pokyny (včetně těch, které se týkají používání nástavců). Při jejich nedodržení by mohlo dojít k úrazu elektrickým proudem, požáru a/nebo k vážnému poranění.

DODRŽUJTE TYTO POKYNY

Bezpečnostní předpisy pro STOJANOVÝ KORPUS

Předtím než nářadí položíte na stůl, před seřizováním nebo výměnou vrtáků, odpojte je od sítě.

Před použitím STOJANOVÝ KORPUS bezpečně upevněte na stabilní pracovní stůl nebo podstavec.

Seznamte se s vypínáním nářadí Vrtačku umístěte tak, aby byl spínač volně přístupný, aby bylo nářadí možno v naléhavém případě rychle vypnout.

Síťový kabel vedte mimo vrták a jeho dráhu. Navrtání elektrického vedení pod napětím může způsobit úraz, i smrtelný, elektrickým proudem, nebo požár.



Vždy používejte ochranné brýle, chrániče sluchu a protiprašný respirátor.

Používání osobních ochranných pomůcek a práce v bezpečném prostředí snižují riziko úrazu.

Při práci s nářadím nepoužívejte rukavice a noste volný oděv.

Pro danou aplikaci zvolte vhodný vrták a rychlost. Nepoužívejte vrtáky o větším než dovoleném průměru. Stojan příklepové vrtačky je přednostně určen pro lehčí vrtání do dřeva, plastu a kovu. Přetěžování nářadí může vést k jeho poškození, nebo k úrazu.

V žádném případě nepoužívejte tupé nebo poškozené vrtáky. S ostrými vrtáky je nutno zacházet opatrně.

Vždy se přesvědčte, že v obrobku nejsou hřebíky, ani jiné cizorodé předměty.

Před spuštěním vrtačky obrobek upněte, nebo jej zapřete o sloup stojanu. V žádném případě nepřidržíte při vrtání malé obrobky rukou. Upnutí obrobku vám umožňuje používat obě ruce pro ovládání nástroje.

K podepření kulatého materiálu, jako jsou trubky nebo tyče, používejte při vrtání blok s drážkou "V". Kulaté materiály, jako kolíky, trubky nebo potrubí, mají při vrtání snahu se odvalovat a mohou

tak způsobit zakousnutí vrtáku nebo odskočení obrobku směrem k vám.

Při jiné činnosti než vrtání, musíte hlavici nářadí nastavit do potřebné polohy a zajistit ji v ní a nastavit hloubku řezu. Upněte obrobek a mezi rotujícím nástrojem a svou rukou ponechte dost místa.

Příklepová vrtačka byla navržena pro vrtání, obrusování, kartáčování, leštění nebo broušení; jiné aplikace mohou znamenat riziko, před nímž se nelze dostatečně chránit.

Je-li při nějaké činnosti účinná stranová část rotačního příslušenství, například u bubnové brusky, obrobek se musí umístit na tu stranu příslušenství, která rotuje proti směru posuvu obrobku. Umístění obrobku na stranu příslušenství, kde jsou směr posuvu obrobku a rotace příslušenství shodné, může způsobit vytažení obrobku rotačním nástavcem a vést ke ztrátě kontroly nad prováděnou operací.

V žádném případě nespouštějte nářadí, když je nástroj v kontaktu s materiálem.

Nesahejte do oblasti otáčejícího se ostří. Blízkost otáčejícího se ostří k vaší ruce nemusí být vždy zřejmá. Obrobek by se mohl posunout nebo ruka by mohla při práci sklouznout.

Vzniká-li při řezání nějakých materiálů zdraví škodlivý prach, noste ochranný protiprašný respirátor; o materiálech, s nimiž budete pracovat, se informujte předem.

Po výměně vrtáku nebo po nastavování se přesvědčte, že kleštinová upínací matice a všechny nastavovací prvky jsou bezpečně utaženy.

V žádném případě se nedotýkejte vrtáku při vrtání, ani bezprostředně po něm. Dotyk rotujícího nástroje zraňuje, a po použití je vrták příliš horký, než aby se na něj dalo sáhnout holou rukou.

Nenechávejte rotující nářadí bez dozoru, vypněte jej. Jen když se nářadí úplně zastaví, je možno bezpečně odstranit obrobek a vyčistit stojan.

Sestava (Obrázek A)

NÁSTAVCE PRO POUŽITÍ S ROTAČNÍMI MO-DELY DREMEL 285, 395, 398, 400, 780 A 800.

Rotační nářadí změní stojanový korpus Dremel 220 na příklepovou vrtačku, na brusku nebo leštičku, nebo na stojanový držák nástrojů s ohebným hřídelem.

1. Přimontujte trubku stojanu k podstavci a zajistěte šroubem s šestihrannou hlavou a čtyřhrannou maticí.
2. Nasadte čtyřhrannou matici (kratším koncem napřed) na příklep a nainstalujte páčku na nastavení výšky. Umístěte příklep na trubku stojanu a utáhněte páčku.

3. S příklepem ve vertikální poloze nasadte dovnitř příklepového mechanismu čtyřhrannou matici a namontujte na něj páčku nastavení úhlu.
4. Nasadte na trubku stojanu zásobník, malými otvory nahoru.
5. Nainstalujte držák síťového kabelu.
6. Nainstalujte drát závěsu a krytku.
7. Podstavec musí být přiměřeně dimenzovanými prvky (nejsou součástí dodávky) upevněn na pracovní stůl.

Ovládání

DŮLEŽITÉ! Stojanový korpus může pracovat jen s jedním nástrojem současně. Neosazujte sestavu závěsu dalším nástrojem, když je jiný nástroj namontován na příklepu.

Zásobník nástrojů může obsahovat následující nástroje (nejsou součástí dodávky):

- sadu vrtáčků (model 628 nebo 636)
- klíč na rotační nářadí
- montážní klíč
- nástavce se stopkou o průměru 3,2 mm nebo menším
- upínací pouzdro rotačních nářadí (modely 480, 481, 482, 483)

POZNÁMKA: vrtáčky jsou v nářadí upnuty v upínacím pouzdru. Vrtáček lze upnout před nebo po namontování rotačního nářadí na příklep.

1. Stiskněte a přidržejte blokovací tlačítko a otočte kleštinovou upínací maticí a hřídelí. V otáčení kleštinovou upínací maticí a hřídelí pokračujte, dokud nezapadne zámek a nepřidrží hřídel (**obrázek B**).
2. Použijte klíč rotačního nářadí Dremel a otočte kleštinovou upínací maticí proti směru hodinových ručiček, abyste ji uvolnili.
3. Uvolněte blokovací tlačítko.
4. Založte vrtáček do upínacího pouzdra tak hluboko, jak jen to jde, abyste zajistili řádné uchycení vrtáčku a minimalizovali házení. Nezakládejte vrtáček tak daleko, že by se jeho žlábkování dotýkalo upínacího pouzdra nebo kleštinové upínací matice, aby nedocházelo k vylamování břitu nebo ke zlomení vrtáčku.

5. Znovu stiskněte blokovací tlačítko a utahujte kleštinovou upínací maticí; nejprve rukou, pak s použitím klíče, dokud vrtáček není bezpečně upnut.
6. Založte rotační nářadí do příklepového mechanismu se zámkem vřetená dopředu. Utažením upínací matice upněte nářadí do držáku nářadí (**obrázek C**).

POZNÁMKA: modely 398, 400 a 800 se montují se zámkem vřetená napravo.

POZNÁMKA při upínání rotačního nářadí do držáku se přesvědčte, že nářadí je řádně usazeno a větrací otvory nejsou zakryty.

7. Horní trubkou stojanu kružte proti směru hodinových ručiček, aby se uvolnila a bylo ji možno nastavit nahoru nebo dolů. Po dosažení požadované výšky kružte trubkou stojanu ve směru hodinových ručiček, aby se utáhla (**obrázek E**).

POZNÁMKA: trubka stojanu by se neměla přestavovat, když se nářadí v držáku nástroje používá.

Zaveďte síťový kabel do kabelových svěrek (**obrázek D**). Držák vede síťový kabel mimo pracovní oblast.

8. Hlubkový doraz se používá, když si přejete vrtat otvory určité hloubky. Stupnice na krytu příklepového mechanismu slouží pro vaše pohodlí.

Hlubkový doraz nastavte na požadovanou hloubku a utáhněte zajišťovací knoflík hlubkového dorazu (**obrázek D**).

Ovládání (pokračování)

9. Páčky nastavení úhlu se používají k zajištění nářadí buď ve vertikální poloze, nebo pod úhlem 90°. Nářadí lze používat pod úhlem 15°, 30°, 45°, 60°, 75° nebo 90° pro obroušování, leštění, broušení nebo kartáčování (**obrázek G**).
- Povolte velkou i malou páčku a otáčejte nářadím, pak obě páčky nastavení úhlu bezpečně utáhněte (**obrázek C a D**).
10. Páčka na nastavení výšky se používá k zajištění příklepového mechanismu v potřebné výšce na trubce stojanu.
- Povolte páčku a posuňte sestavu příklepového mechanismu/nářadí do požadované polohy, pak páčku na nastavení výšky utáhněte (**obrázek D**).
11. Označte umístění otvorů na obrobku a vyznačte je středícím důlčikem. Vyznačení středícím důlčikem zamezí posouvání bodu vrtání a zajistí řádné umístění otvoru.
12. Před vrtáním obrobek upněte k podstavci. To zabrání tomu, aby obrobek po vrtáku 'šplhal', nebo se s ním otáčel. Je to otázkou bezpečnosti a lepší kvality práce. Obrobek lze velmi dobře uchytil pomocí přídržných svěrek (nejsou součástí dodávky), nebo s použitím malého svěráčku (**obrázek H**).
13. Povolte zajišťovací knoflík nastavení výšky o 1/2 otáčky a posunujte příklepový mechanismus po trubce stojanu, dokud nebude vrtáček v blízkosti obrobku (**obrázek F**). Doporučuje se maximálně 6 mm mezi hrotem vrtáku a obrobkem. Zajišťovací knoflík opět utáhněte.
14. Uchopte přítlačnou páku a tahem dolů vyvrtejte otvor.

Užitečné pokyny

Při vrtání kulatých obrobků používejte blok s drážkou "V" nebo svěrák. Při vrtání otvoru do středu kulatého obrobku je nutno střed vyznačit středícím důlčikem (**obrázek I**). K vyznačení středu použijte středící důlčík (není součástí dodávky).

Netlačte na posuv takovou silou, že by se rychlost motoru zřetelně zpomalila. A při posuvu dbejte zvýšené opatrnosti, když se blížíte k bodu průniku. Vyhněte se tak vzniku otřepů na hranách průniku.

Provedení přídržných svěrek jako volitelného vybavení stojanového korpusu 220

Přídržné svěrky mohou být vyrobeny ze dřeva, oceli nebo hliníku, podle aplikace (**obrázek J**).

1. Uřízněte kus materiálu požadovaných rozměrů (délky, šířky, výšky).
2. 8 mm vrtákem provrtejte v požadovaném místě svěrkou a distanční podložkou otvor.
3. Přídržné svěrky smontujte použitím 8 mm, 40 mm nebo 50 mm dlouhých vratových šroubů s vhodnými podložkami a křídlovými maticemi.

4. K podstavci je přimontujte tak, že hlavy vratových šroubů přilehnou zespodu k podstavci a křídlové matice jsou nad ním.

Při použití přídržných svěrek u obrobků tlustších než 6 mm, použijte vždy distanční blok jako oporu zadní strany svěrky. Nejlepší oporu skýtá distanční blok o 3 mm nižší než obrobek.

Servis

V případě stížností zašlete nerozebrané nářadí spolu s prodejním dokladem svému odbornému

prodejci, nebo do nejbližšího servisu Dremel (seznam adres najdete na www.dremel.com).

Zasady bezpieczeństwa dotyczące elektronarzędzi



⚠ OSTRZEŻENIA

Należy przeczytać i zrozumieć wszystkie instrukcje (włącznie z instrukcją narzędzia, które używane jest z przystawką). Nieprzestrzeganie instrukcji może spowodować porażenie prądem, pożar i/lub poważne obrażenia ciała.

NALEŻY ZACHOWAĆ NINIEJSZE INSTRUKCJE

Zasady bezpieczeństwa dotyczące zestawu narzędziowego

Przed ustawieniem narzędzia na stole, regulacją czy wymianą wiertła należy odłączyć zasilanie.

Przed uruchomieniem należy dobrze przymocować zestaw narzędziowy do stabilnego stołu lub podestu.

Należy wiedzieć jak wyłączyć narzędzie! Ustawić narzędzie w taki sposób, aby wyłącznik był łatwo dostępny do szybkiego wyłączenia w sytuacji awaryjnej.

Kabel należy poprowadzić z daleka od wiertła i obszaru cięcia. Nacięcie przewodów elektrycznych pod napięciem może spowodować wstrząs, poparzenie lub śmiertelne porażenie prądem.



Należy nosić wyposażenie chroniące oczy, uszy oraz maskę przeciwpyłową.

Stosowanie wyposażenia ochrony osobistej i praca w bezpiecznym środowisku zmniejsza ryzyko obrażeń ciała.

Podczas obsługi narzędzia nie można nosić rękawic ani luźnego ubrania.

Należy dopasować odpowiednie wiertło i jego prędkość do odpowiedniego zastosowania. Nie używać wiertła, które mają średnicę cięcia przekraczającą zakres narzędzia. Stożak z uchwytem wiertarskim przeznaczony jest głównie do prac powodujących małe obciążenia wykonywanych w drewnie, tworzywie sztucznym i metalu. Przeciążenie narzędzia może doprowadzić do obrażeń ciała lub awarii narzędzia.

Nigdy nie należy używać wiertła tępych ani uszkodzonych. Zachować ostrożność podczas stosowania ostrych wiertła.

Zawsze należy sprawdzać, czy w obrabianym przedmiocie nie ma gwoździ ani innych ciał obcych.

Przed włączeniem narzędzia należy zaciśnąć obrabiany przedmiot lub przymocować go do kolumny. Nie wolno trzymać małego obrabianego przedmiotu w jednej ręce i zbliżać do niego elementu obrotowego. Zaciśnięcie obrabianego przedmiotu pozwala na operowanie narzędziem przy pomocy obu rąk.

Podczas wiercenia należy używać podstawki przymowej do podtrzymywania okrągłych materiałów, takich jak rury lub pręty. Okrągłe materiały,

takie jak pręty ustalające, przewody lub rury mają tendencję do toczenia się podczas nawiercania i mogą spowodować, że wiertło zablokuje się lub obrabiany materiał odskoczy w kierunku osoby pracującej.

Wykonując inne operacje niż wiercenie należy ustawić i zablokować głowicę narzędzia w wymaganym położeniu i na wymaganej głębokości cięcia. Zbliżyć obrabiany przedmiot do narzędzia i zapewnić wystarczającą przestrzeń pomiędzy ręką a wirującym wiertłem.

Stożak wiertarki został zaprojektowany do wiercenia, wygładzania, czyszczenia szczotką, polerowania i szlifowania, inne zastosowania mogą powodować zagrożenia, przed którymi nie można zapewnić odpowiedniej ochrony.

Jeżeli do wykonywania pracy używana jest boczna część elementu obrotowego, na przykład bęben szlifierski, to obrabiany przedmiot należy ustawić z boku elementu, który obraca się przeciwnie do kierunku posuwu obrabianego przedmiotu. Umieszczenie obrabianego przedmiotu po stronie elementu w sytuacji, gdy kierunek posuwu i obroty elementu są takie same, może spowodować wyciągnięcie obrabianego przedmiotu przez obracający się element i doprowadzić do utraty kontroli podczas pracy.

Nie wolno włączać narzędzia wtedy, gdy wiertło jest zacementowane w materiale.

Nie należy zbliżać się do obracającego się wiertła. Odległość obracającego się wiertła od rąk nie zawsze może być oczywista. Podczas pracy obrabiany przedmiot może się przestawić lub ręka może się zsunąć.

Należy nosić ochronną maskę przeciwpyłową podczas pracy z materiałami, które powodują powstawanie pyłów szkodliwych dla zdrowia; przed pracą należy zasięgnąć informacji o obrabianych materiałach.

Po wymianie lub regulacji wiertła upewnić się, czy nakrętka tulei zaciskowej i inne elementy regulacyjne zostały dobrze dokręcone.

Nigdy nie należy dotykać wiertła podczas użytkowania ani bezpośrednio po nim. Kontakt z wirującym wiertłem spowoduje obrażenia ciała, zaś po użyciu wiertło jest zbyt gorące, aby można je było dotknąć gołymi rękami.

Montaż (Rysunek A)

Nie wolno zostawiać działającego narzędzia bez nadzoru, należy wyłączyć zasilanie. Dopiero po całkowitym zatrzymaniu narzędzia można bezpiecznie zdemontować obrabiany przedmiot i oczyścić stojak.

PRZYSTAWKA DO STOSOWANIA Z NARZĘDZIAMI OBROTOWYMI FIRMY DREMEL MODELE 285, 395, 398, 400, 780 I 800.

Zestaw Dremel Workstation 220 przekształca narzędzia obrotowe w wiertarkę pionową do wiercenia, w uchwyt narzędziowy do wygładzania lub polerowania, lub w stojak narzędziowy z wałem giętkim.

1. Przymocować statyw do podstawy i zabezpieczyć go śrubą sześciokątną i nakrętką czworokątną.

2. Włożyć nakrętkę czworokątną (krótkim końcem) do wiertarki i przymocować dźwignię regulacji wysokości. Umieścić wiertarkę na statywie i dokręcić dźwignię.
3. Przy wiertarce ustawionej w położeniu pionowym włożyć nakrętkę czworokątną do wiertarki pionowej i przymocować kątową dźwignię blokującą do wiertarki.
4. Przymocować półeczkę na narzędzia na statywie z małymi otworami skierowanymi ku górze.
5. Przymocować uchwyt kabla.
6. Przymocować chwyt wieszaka i nasadkę.
7. Podstawa musi być przymocowana do stołu warsztatowego przy pomocy elementów o odpowiednim rozmiarze (nie dostarczonych).

Obsługa

WAŻNE! Zestaw Workstation przeznaczony jest do stosowania tylko z jednym narzędziem na raz. Nie można wieszać narzędzia na wieszaku, jeżeli w wiertarce zamontowane jest inne narzędzie.

Na półeczce do przechowywania narzędzi umieszczone są następujące narzędzia (nie dostarczone):

- Zestaw wiertel (Model 628 lub 636)
- Klucz do narzędzia obrotowego
- Klucz montażowy
- Wiertła o wielkości chwytu mniejszej lub równej 3,2 mm
- Tuleje zaciskowe narzędzia obrotowego (Modele 480, 481, 482, 483)

UWAGA: Wiertła zamocowane są w narzędziu za pomocą układu tulei zaciskowej. Wiertło można przymocować przed lub po zamontowaniu narzędzia obrotowego w stojaku wiertarki ręcznej.

1. Wcisnąć i przytrzymać przycisk blokady szybkowej jednocześnie obracając nakrętką tulei zaciskowej i wałka. Nadal obracać nakrętką tulei zaciskowej i wałka, dopóki zastawka nie zaskoczy i nie przytrzyma wałka (**rysunek B**).
2. Używając klucza z narzędzia obrotowego firmy Dremel przekręcić nakrętkę tulei zaciskowej przeciwnie do ruchu wskazówek zegara, aby ją poluzować.
3. Zwolnić przycisk blokady wrzeczona.
4. Włożyć wiertło do tulei zaciskowej jak najgłębiej, aby zapewnić prawidłowy uchwyt wiertła i zminimalizować bicie. Nie wkładać wiertła tak daleko, aby żłobienia dotykały tulei zaciskowej lub na-

krętki tulei zaciskowej, w celu uniknięcia ścięcia lub pęknięcia wiertła.

5. Ponownie uruchomić blokady wrzeczona i dokręcić nakrętkę tulei zaciskowej; najpierw ręcznie, następnie przy użyciu klucza, dopóki wiertło nie będzie się dobrze trzymało.
6. Włożyć narzędzie obrotowe do wiertarki blokadą trzpienia do przodu. Zaciśnąć narzędzie na wsporniku narzędzia dokręcając nakrętkę zaciskową (**rysunek C**).

UWAGA: Modele 398, 400 oraz 800 mocowane są blokadą wrzeczona po prawej stronie.

UWAGA: Podczas zaciskania narzędzia obrotowego w uchwycie należy upewnić się, czy narzędzie jest prawidłowo osadzone i czy otwory odpowietrzające nie są zakryte.

7. Przekręcić górny statyw przeciwnie do ruchu wskazówek zegara, aby go poluzować i umożliwić regulację statywu w górę lub w dół. Po osiągnięciu pożądanej wysokości przekręcić statyw zgodnie z ruchem wskazówek zegara w celu jego dokręcenia (**rysunek E**).

UWAGA: Statywu nie należy wysuwać w czasie, gdy w uchwycie narzędziowym używane jest narzędzie.

Włożyć kabel do zacisków kabla (**rysunek D**). Uchwyt przytrzymuje kabel z daleka od miejsca wykonywania pracy.

8. Zderzak ogranicznika głębokości obróbki wykorzystywany jest wtedy, gdy chcemy wywiercić otwory do zmierzonej głębokości. Dla wygody na obudowie wiertarki wykonano skalę.

Obsługa (ciąg dalszy)

- Ustawić ogranicznik głębokości obróbki na pożądaną głębokość i dokręcić pokrętko ogranicznika (**Rysunek D**).
9. Kątowe dźwignie blokujące wykorzystywane są do przymocowywania narzędzia pionowo lub pod kątem 90°. Narzędzia można używać pod kątem 15°, 30°, 45°, 60°, 75° lub 90° do wygładzania, polerowania, szlifowania lub czyszczenia szczotką (**rysunek G**).
- Poluzować duże i małe dźwignie i obrócić narzędzie, następnie dobrze dokręcić obie kątowe dźwignie blokujące (**rysunek C i D**).
10. Dźwignia regulacji wysokości używana jest do przymocowywania wiertarki na statywie na odpowiedniej wysokości.
- Poluzować dźwignię i przesunąć wiertarkę/narzędzie w pożądane położenie, następnie dokręcić dźwignię regulacji wysokości (**rysunek D**).
11. Na obrabianym przedmiocie zaznaczyć lokalizację otworów i w tych miejscach wykonać punktowanie. Punktowanie zapobiega przesunięciu punktu wiercenia i zapewnia prawidłowe umiejscowienie otworu.
12. Przed wierceniem przymocować obrabiany przedmiot do podstawy. Dzięki temu obrabiany przedmiot nie będzie podnosił się w kierunku wiertła ani obracał. Wynikająca z tego korzyść to bezpieczeństwo i lepsza jakość pracy. Do przytrzymywania obrabianego przedmiotu bardzo dobre są zaciski dociskowe (nie dołączone), do przytrzymywania podczas wiercenia można również użyć małego imadła użytkowego (**rysunek H**).
13. Poluzować pokrętko regulacji wysokości o 1/2 obrotu i przesunąć wiertarkę na statywie, dopóki końcówka wiertła nie znajdzie się w pobliżu obrabianego przedmiotu (**rysunek F**). Zaleca się maksymalną odległość 6 mm pomiędzy końcówką wiertła a obrabianym przedmiotem. Ponownie dokręcić pokrętko.
14. Chwycić za uchwyt wiertarki i pociągnąć go w dół w celu wywiercenia otworu.

Pomocne wskazówki

Podczas nawiercania przedmiotów okrągłych należy używać podstawki pryzmowej lub imadła. Aby wywiercić otwór w środku okrągłego przedmiotu, konieczne jest wykonanie punktowania (**rysunek I**). Do wykonania punktowania należy użyć punktaka (nie został dołączony).

Unikać przesuwu wymuszonego w stopniu, który powoduje znaczne zmniejszenie prędkości obrotowej. Ostrożność należy również zachować zbliżając się do punktu załamania. Pozwoli to uniknąć szarpania krawędzi załamań.

Wykonanie opcjonalnych zacisków dociskowych do zestawu workstation 220

Zaciski dociskowe mogą być wykonane z drewna, stali lub aluminium, zależnie od zastosowania (**rysunek J**).

1. Wyciąć lub opłować materiał na pożądaną długość, szerokość i wysokość.
2. Przez zacisk i część odległościową przewiercić otwór w wymaganym miejscu używając wiertła 8 mm.
3. Przymocować zaciski dociskowe używając śrub montażowych o długości 8 mm - 40 mm lub

50 mm z odpowiadającymi im podkładkami i nakrętkami motylkowymi.

4. Przymocować je do podstawy wsuwając główkę śruby montażowej przez dolną część podstawy z nakrętkami motylkowymi na górze.

Używając zacisków dociskowych na obrabianych przedmiotach o grubości większej niż 6 mm należy zawsze używać kostki odległościowej do podparcia tylnej części zacisku. Aby uzyskać najlepsze podparcie, kostkę odległościową należy uciąć na wysokość około 3 mm mniejszą od obrabianego przedmiotu.

Serwis

W przypadku reklamacji należy przesłać narzędzie nie zdemontowane razem z dowodem zakupu do swojego przedstawiciela lub najbliższej stacji serwi-

sowej firmy Dremel (adresy podane zostały na stronie www.dremel.com).

Güç Aleti Güvenlik Kuralları



UYARI

Tüm talimatları okuyunuz ve anlayınız (bağlantının takıldığı aletin talimatları dahil). Talimatlara uyulmaması halinde, elektrik çarpması, yangın ve/veya ciddi kişisel yaralanmalar yaşanabilir.

BU TALİMATLARI KAYDEDİNİZ

İŞ İSTASYONU için Güvenlik Kuralları

Uçları değiştirmeden, sehpaye kurmadan veya herhangi bir ayarlama yapmadan önce, aleti fişten çıkarınız.

İşletimden önce, İŞ İSTASYONUNU dayanıklı bir masa veya platform üzerine güvenli biçimde sabitleyiniz.

Aleti nasıl kapatacağınızı öğreniniz! Aleti, herhangi bir acil durum esnasında açma kapatma düğmesine kolaylıkla ulaşılacak biçimde konumlandırınız.



Kabloyu, uçtan veya kesim yapılan alandan uzakta kalacak biçimde çeviriniz. Elektrik akımının bulunduğu

kabloların kesilmesi, elektrik çarpması veya şoku ile sonuçlanabilir.

Göz koruyucu, kulak koruyucu ve toz maskesi takınız. Kişisel güvenlik cihazlarının kullanımı ve güvenli bir ortamda çalışılması, yaralanma riskini azaltır.

Aletin işletimi esnasında eldiven veya bol kıyafetler giymeyiniz.

Yapacağınız uygulamaya uygun bir uç kullanınız, devri uygun biçimde ayarlayınız. Aletin kapasitesini aşan kesme çapına sahip uçları kullanmayınız. Delici pres tezgahı, özellikle ahşap, plastik ve metal malzeme üzerinde hafif işlemler yapılmak üzere tasarlanmıştır. Alete fazla yüklenilmesi sonucu, aletin arızalanması ve kişisel yaralanmalarla sonuçlanabilir.

Kör veya hasarlı uçları asla kullanmayınız. Keskin uçlar, dikkatle taşınmalıdır.

Üzerinde çalışılacak alette tırnak veya diğer yabancı maddelerin bulunmadığından daima emin olunuz.

Kullanımdan önce, üzerinde çalışılacak parçayı kolona sabitleyiniz veya bağlayınız. Küçük bir parçayı asla tek elle tutmayınız ve deliciyi aşağı indirmeyiniz. İşlenecek parçaların, kelepçe veya mengene ile tespit edilmesi halinde, aleti kontrol etmek için her iki elinizi kullanmanız mümkün olur.

Delme esnasında mil veya tüp gibi daire biçimli destek malzemesi kullanıyorsanız, bir “V” bloğu kullanınız. Mil, boru ve tüp gibi daire biçiminde malzemeler kesilirken dönme eğilimi göstererek ucun malzemeye “dalmasına” veya işlenecek parçanın üzerine doğru sıçramasına sebep olabilir.

Delme işlemi haricindeki işlemler esnasında, aletin başını istenilen pozisyona ve kesme derinliğine göre ayarlamalı ve kilitlemelisiniz. İşlenecek parçayı alete yerleştiriniz ve eliniz ile kalem arasında yeterli mesafeyi sağlayınız.

Delme tezgahı; delme, zımparalama, fırçalama, cilalama veya taşlama uygulamalarında kullanılmak üzere tasarlanmıştır, başka uygulamalarda kullanılması tehlikelere neden olabilir.

İşi gerçekleştirmek için herhangi bir dönen aksesuarın kenarı, örneğin bir zımparalama tamburu kullanılırsa, işlenecek parça, parçanın besleme yönünün tersi yönde, dönen aksesuarın kenarına yerleştirilmelidir. Besleme ile aksesuarın dönüş yönünün aynı olduğu durumlarda, işlenecek parçayı aksesuarın kenarına yerleştirmek, işlenecek parçanın dönen aksesuar tarafından çekilmesine ve çalışma sırasında kontrol kaybına neden olabilir.

Aleti, ucu malzeme içinde, malzeme üzerinde veya malzeme ile temas halindeyken kesinlikle çalıştırmayınız.

Dönen kaleme yaklaşmayınız. Dönmekte olan kalemin sizin için ne zaman tehlikeli olduğunu her zaman bilemeyebilirsiniz. Çalışma sırasında, işlenecek parça yer değiştirebilir ve eliniz kayabilir.

Sağlığa zararlı tozlar üreten malzemelerle çalışırken tozdan korunma maskesi takınız; çalışılacak malzemeler hakkında önceden bilgi ediniz.

Uçları değiştirdikten veya herhangi bir ayarlama yaptıktan sonra, mandrenin ve herhangi başka bir ayarlama cihazının güvenli bir şekilde sıkıldığından emin olunuz.

Kullanım sırasında veya kullanımdan hemen sonra uca asla dokunmayınız. Kalem ile temas

Montaj (Şekil A)

etmek yaralanmaya neden olur ve uç kullandıktan sonra çıplak el ile dokunulmayacak kadar sıcak olur.

Çalışan bir aleti gözetimsiz bırakmayınız, aleti kapatınız. Sadece, alet tamamen durduktan sonra işlenecek parçayı çıkarınız ve masayı temizleyiniz.

DREMEL MULTİ MODELLERİ 285, 395, 398, 400, 780 VE 800 İLE KULLANIM İÇİN BAĞLANTI.

Dremel İş İstasyonu 220 multinizi, delme için bir delici prese, zımparalama veya cilalama için bir alet sehпасına veya esnek mil alet masasına dönüştürür.

1. Tüpü tezgaha bağlayınız ve altıgen cıvata ve yuvarlak somun ile sıkıştırınız.

2. Yuvarlak somunu (önce kısa uç) prese sokunuz ve yükseklik ayarlama kolunu takınız. Presi tüpün üzerine yerleştiriniz ve kolu sıkınız.
3. Dikey pozisyondaki preste, dairesel somunu delici presin içine takınız ve açılı kilit kolunu prese bağlayınız.
4. Manivela yuvasını küçük delikler yukarı bakacak şekilde bağlayınız.
5. Kablo tutucusunu kurunuz.
6. Metal askıyı ve kapağı kurunuz.
7. Taban, uygun boyutta donanım kullanılarak bağlanmalıdır (dahil değil).

İşletim

ÖNEMLİ! Çalışma istasyonu her seferde bir alet ile kullanım içindir. Prese başka bir alet bağlı iken; askı grubuna alet asmayınız.

Manivela Yuvasının alet haznesi aşağıdaki aletleri bulundurur (dahil değil):

- Delici uç seti (Model 628 veya 636)
- Multi mandren anahtarı
- Sabitleme anahtarı
- Vida boynu 3,2 mm'ye eşit veya daha az olan uçlar
- Multi pensetleri (Model 480, 481, 482, 483)

DİKKAT: Alet, delici uçlar üzerinde bir penset sistemi vasıtasıyla tutulur. Uç, multinin delici preste kurulmasından önce veya sonra kurulabilir.

1. Mandreni ve mili döndürürken, mil kilitleme butonunu basılı tutunuz. Kilit çalışana ve mili tutana kadar mandreni ve mili döndürmeye devam ediniz (**Şekil B**).
2. Dremel Multinizdeki mandren anahtarını kullanınız ve gevşetmek için mandreni saat yönünün tersi yönde çeviriniz.
3. Mil kilitleme butonunu serbest bırakınız.
4. Ucun uygun kavramasını sağlamak ve dışarı çıkma riskini en aza indirmek için delme ucunu pensetin içine mümkün olduğunca derine inecek biçimde sokunuz. Ucun talaş çıkarmasını veya çatlamasını önlemek için ucu pensete veya mandrene değecek kadar derine sokmayınız.

5. Mil kilitleme butonuna yeniden basınız ve mandreni, ilk önce el ile sonra uç tamamen sıkıncaya kadar mandren anahtarı ile sıkınız.
6. Mil kilidi önde olacak şekilde multiyi prese sokunuz. Aleti alet koluna sabitleme somununun sıkıştırarak sabitleyiniz (**Şekil C**).

DİKKAT: 398, 400 ve 800 modelleri mil kilidi sağda olacak şekilde bağlanacaktır.

DİKKAT: Multiyi tutucuya sabitlerken, aletini uygun şekilde yerleştirildiğinden ve havalandırma açıklıklarının kapatılmadığından emin olunuz.

7. Üst tüpü saat yönünün tersi yönde çevirerek gevşeterek tüpün aşağı ve yukarıya doğru ayarlanmasına olanak sağlayınız. İstenilen yüksekliğe ulaştıktan sonra tüpü sıkıştırmak için saat yönünde çeviriniz (**Şekil E**).

DİKKAT: Alet, alet sehпасı ile kullanılırken, tüp genişletilmemelidir.

Kablolara kablo kliplerine geçiriniz (**Şekil D**). Tutucu, kabloyu çalışma alanından uzakta tutacaktır.

8. Derinlik Durdurması, belirlenmiş bir derinliğe kadar delik açmak istediğinizde kullanılır. Rahat kullanım için pres yuvası üzerinde bir ölçek bulunmaktadır.

Derinlik durdurma ayarını istenilen derinliğe ayarlayınız ve derinlik durdurma kilidini sıkıştırınız (**Şekil D**).

İşletim (devam)

9. Açık Kilit Kolları, aleti dikey olarak ya da 90° açı ile sabitlemek için kullanılır. Alet; zımparalama, cilalama, taşlama veya fırçalama uygulamalarında 15°, 30°, 45°, 60°, 75° veya 90° açı ile kullanılabilir (**şekil G**).
- Büyük ve küçük kolları gevşetiniz, aleti döndürünüz ve ardından her iki açı kilit kolunu iyice sıkınız (**şekil C ve D**).
10. Yükseklik Ayar Kolu, presi tüpün üzerine istenilen yükseklikte sabitlemek için kullanılır.
- Kolu gevşetiniz ve pres/alet grubunu istenilen pozisyona getirerek yükseklik ayar kolunu sıkıştırınız (**şekil D**).
11. İşlenecek parça üzerindeki delik bölgelerini işaretleyiniz ve delgiyi bu noktalar üzerinde merkezleyiniz. Merkezi delme, delme noktasını oynamasını önler ve uygun delik lokasyonunu garanti eder.
12. Delmeden önce işlenecek parçayı tezgaha sabitleyiniz. Bu, işlenecek parçanın delme ucuna sarmasını veya dönmesini önler. Daha fazla güvenlik ve daha iyi iş kalitesi gibi yararlar sağlar. Sabitleme kelepçeleri işlenecek parçayı tutmak için kullanılabilir veya delme işlemi sırasında tutmak için küçük bir destek kullanmak gerekir (**şekil H**).
13. Yükseklik Ayarı Kilit Düğmesini 1/2 tur gevşetiniz ve delme ucu işlenecek parçanın yakınına gelene kadar presi tüpün üzerine doğru götürünüz (**şekil F**). Delme ucu ile işlenecek parça arasında maksimum 6 mm'lik bir mesafe olması tavsiye edilir. Kilit düğmesini yeniden sıkınız.
14. Pres Kolunu kavrayınız ve delik açmak için aşağı doğru çekiniz.

Yararlı ipuçları

Yuvarlak parçaları delerken, “V” bloğu veya benzeri bir araç kullanınız. Yuvarlak bir parçanın merkezine bir delik açmak için, bir merkezi delme işareti gerekmektedir (**şekil I**). Merkezi delme işareti yapmak için merkez delgeçi kullanınız (dahil değildir).

Motor hızının belirgin bir şekilde azaldığı durumlarda güç uygulamaya devam etmekten sakınınız. Ayrıca, delik açma noktasına yaklaşırken dikkatli olunuz. Bu düzensiz yarılmış köşelerinin oluşmasını önler.

Çalışma İstasyonu 220 için opsiyonel sabitleme aparatı oluşturmak

- Sabitleme kelepçeleri sizin uygulamanıza bağlı olarak ahşap, çelik veya alüminyum malzemeden üretilir (**şekil J**).
1. Malzemeyi istediğiniz uzunluğa, genişliğe ve yüksekliğe kadar bir kesici veya testere ile kesiniz.
2. 8 mm'lik delme ucunu istenilen bölgede kullanarak sabitleyici ve ara parça üzerinden bir delik açınız.
3. Uygun rondela ve kelebek somunlarla birlikte 8 mm, 40 mm veya 50 mm'lik ağaç vidası kullanarak sabitleme aparatını bağlayınız.
4. Tezgahı, ağaç vidasının başını tezgahın tabanı boyunca yukarıdaki kelebek somunlarla birlikte kaydırarak sabitleyiniz.
- İşlenecek parça üzerine 6 mm'den kalın sabitleme aparatı kullanıldığında, her zaman sabitleyicinin arka tarafını desteklemek için ara parça bloğu kullanınız. En iyi destek için, ara parça bloğu işlenecek parçadan 3 mm daha kısa kesilmelidir.

Servis

Bir şikayet durumunda, aleti sökölmemiş biçimde satın alma belgenizle satıcınıza veya en yakın

Dremel servis istasyonuna gönderiniz (adresler www.dremel.com sitesinde listelenmiştir).

Правила техники безопасности при использовании инструментов



▲ ПРЕДУПРЕЖДЕНИЕ Внимательно прочтите все указания (включая указания по использованию насадок). Несоблюдение всех инструкций может повлечь за собой удар электрическим током, пожар или стать причиной травмирования персонала.

СОХРАНИТЕ ДАННУЮ ИНСТРУКЦИЮ

Инструкции по безопасности при работе с РАБОЧЕЙ СТАНЦИЕЙ

Перед установкой инструмента на стол, выполнением настроек или смене резовов всегда отсоединяйте его от сети.

Перед началом работы надежно фиксируйте РАБОЧУЮ СТАНЦИЮ на столе или на другой платформе.

Научитесь отключать инструмент! Располагайте инструмент таким образом, чтобы выключатель был в пределах досягаемости, и в случае экстренной ситуации инструмент можно было бы немедленно выключить.

Не прокладываете кабель вблизи резовов или в зоне работы. Контакт с электропроводкой, находящейся под напряжением, может вызвать удар электрическим током, пожар или смерть от удара электрическим током.



Во время работы всегда надевайте защитные наушники, защитные очки и респиратор. Использование средств индивидуальной защиты и содержание рабочего места в чистоте значительно сокращают риск травмирования.

Надевать перчатки и свободную одежду при работе с инструментом запрещается.

В зависимости от вида работ выбирайте подходящие для этого резы и скорость инструмента. Запрещается использовать резы, режущий диаметр которых превышает рабочий диапазон инструмента. Подставка сверлильного станка предназначена для работы в облегченном режиме по древесине, пластику и металлу. Перегрузка инструмента ведет к выходу его из строя или к травмированию персонала.

Использовать тупые и поврежденные резы запрещается. Обращайтесь с острыми резами осторожно.

Перед началом работы убедитесь, что в обрабатываемой детали нет гвоздей или других посторонних предметов.

Перед началом работы зафиксируйте обрабатываемую деталь или прижмите ее к стойке. Держать обрабатываемую деталь малого размера одной рукой и опускать сверло другой запрещается. Фиксация обрабатываемой детали позволяет управлять инструментом двумя руками.

При сверлении круглых изделий, например труб или стержней, используйте для фиксации блок "V". Круглые изделия при распиловке имеют тенденцию скатываться, что может привести к защемлению реза или отдаче самой обрабатываемой детали.

При выполнении других операций, за исключением сверления, отрегулируйте глубину погружения и зафиксируйте головку инструмента в нужном положении. Установите обрабатываемую деталь на инструменте и убедитесь, что между рукой и вращающимся резцом есть достаточное пространство для маневров.

Сверлильный станок предназначен для сверления, полирования и других шлифовальных работ. Другие виды работ могут представлять потенциальную опасность, так как представленные здесь инструкции по безопасности могут им не соответствовать.

При использовании в работе принадлежностей, например шлифовального барабана, обрабатываемую деталь следует располагать сбоку от принадлежности, который вращается против направления подачи обрабатываемой детали. Установка обрабатываемой детали и принадлежности таким образом, при котором совпадают направление подачи и направление вращения принадлежности, может привести к потере контроля над обрабатываемой деталью и инструментом.

Включать инструмент, когда резец находится в обрабатываемой детали, запрещается.

Не прикасайтесь к вращающемуся резцу. Расстояние от руки до реза не всегда можно точно определить. Обрабатываемая деталь может сместиться, а рука при выполнении работ может соскользнуть.

При работе с материалами, имеющими сильное пылеотделение, надевайте респиратор. Заранее узнавайте о типе материалов, с которыми придется работать.

После замены реза или выполнения настроек убедитесь, что зажимная гайка и другие регулировочные приспособления надежно затянуты.

Прикасаться к резцу во время работы или непосредственно после остановки инструмента запрещается. Контакт с вращающимся резцом может привести к травмам. После остановки инструмента резец очень горячий и его не следует брать руками без перчаток.

Не оставляйте работающий инструмент без присмотра. Выключайте его. Убирать обрабатываемую деталь и приводить рабочее место в порядок разрешается только после полной остановки инструмента.

Сборка (рис. А)

НАСАДКИ ДЛЯ ИСПОЛЬЗОВАНИЯ С ВРАЩАТЕЛЬНЫМИ ИНСТРУМЕНТАМИ DREMEL МОДЕЛЕЙ 285, 395, 398, 400, 780 и 800.

Рабочая станция Dremel Workstation 220 превращает вращательные инструменты в станок для сверления, в подставку для крепления инструмента для шлифования или полировки, или в подставку для инструмента с гибким валом.

1. Присоедините стойку к основанию, и зафиксируйте ее при помощи болта с шестигранной головкой и квадратной гайки.
2. Вставьте квадратную гайку (коротким концом) в держатель и установите рычаг устройства регулировки по высоте. Установите станок на стойку и затяните рычаг.

3. Установите станок в вертикальное положение, вставьте квадратную гайку в сверлильный станок и присоедините к нему рычаг фиксации угла.
4. Установите площадку маленькими отверстиями вверх.
5. Установите держатель шнура.
6. Установите кронштейн и колпачок.
7. Основание крепится к верстаку при помощи подходящего приспособления соответствующего размера (не входит в комплект поставки).

Эксплуатация

ВАЖНО! Рабочая станция рассчитана на одновременное использование одного инструмента. Запрещается подвешивать инструмент на кронштейн, если в станок уже установлен другой инструмент.

Площадка может держать следующие инструменты (не входят в комплект поставки):

- Набор сверл (модель 628 или 636)
- Гаечный ключ для вращательных инструментов
- Монтажный ключ
- Резцы с хвостовиком 3,2 мм или меньше
- Цанги вращательных инструментов (модели 480, 481, 482, 483)

ПРИМЕЧАНИЕ: сверла удерживаются в инструменте в системой цанг. Резцы можно установить как до, так и после установки вращательных инструментов в сверлильный станок.

1. При вращении зажимной гайки и шпинделя нажмите и удерживайте кнопку блокировки вала. Вращайте зажимную гайку и шпиндель до тех пор, пока не сработает фиксатор и не зафиксируется шпиндель (**рис. В**).
2. Чтобы ослабить зажимную гайку, вращайте ее при помощи гаечного ключа Dremel против часовой стрелки.
3. Отпустите кнопку блокировки вала.
4. Вставьте сверло в цангу до упора для максимального захвата, это не позволит сверлу выпасть. Чтобы избежать повреждения сверла, не вставляйте его так глубоко, чтобы режущие кромки соприкасались с цангой или цанговой гайкой.

5. Снова нажмите кнопку блокировки вала и затяните зажимную гайку. Затягивайте сначала рукой, затем до упора при помощи ключа.
6. Вставьте вращательный инструмент в держатель фиксатором шпинделя вперед. Зафиксируйте инструмент, вращая зажимную гайку (**рис. С**).

ПРИМЕЧАНИЕ: модели 398, 400 и 800 устанавливаются фиксатором шпинделя вправо.

ПРИМЕЧАНИЕ: при фиксации вращательного инструмента в держателе убедитесь, что инструмент вставлен правильно и не перекрыты вентиляционные отверстия.

7. Чтобы ослабить крепление верхней трубы поверните ее против часовой стрелки. После этого можно регулировать ее по высоте. По достижении требуемой высоты затяните ее, повернув по часовой стрелке (**рис. Е**).

ПРИМЕЧАНИЕ: запрещается увеличивать длину трубы, если она используется в подставке для крепления инструмента.

Вставьте шнур в зажимы (**рис. D**). Зажимы защищают шнур от попадания в рабочую зону.

8. Ограничитель глубины используется в том случае, когда требуется сверлить отверстия определенной глубины. Для удобства регулировки глубины на корпус держателя нанесена шкала.

Установите ограничитель глубины на требуемый уровень и затяните фиксатор (**рис. D**).

9. Рычаги фиксации угла используются для установки инструмента в вертикальном положении или под углом до 90°. Для

Эксплуатация (продолжение)

шлифования или полирования инструмент может быть установлен под углами 15°, 30°, 45°, 60°, 75° или 90° (**рис. G**).

Ослабьте малый и большой рычаги фиксации угла, поверните инструмент и снова затяните рычаги (**рис. C и D**).

10. Рычаг регулировки высоты используется для затяжки держателя на стойке на требуемой высоте.

Ослабьте рычаг регулировки высоты и переместите держатель/инструмент в нужное положение, после чего снова затяните рычаг (**рис. D**).

11. Отметьте место предполагаемого отверстия на обрабатываемой детали и отцентрируйте сверло по этой отметке. Центрирование сверла не даст ему сойти с намеченной точки и обеспечит точное выполнение отверстия.

12. Перед началом сверления зафиксируйте обрабатываемую деталь. Это позволит сохранить контроль над сверлом и обрабатываемой деталью при работе, а также обеспечить безопасность и повысить качество работы. Прижимы (не входят в комплект поставки) отлично подходят для фиксации обрабатываемой детали. Также при сверлении можно использовать и небольшие тиски (**рис. H**).

13. Ослабьте фиксаторы ограничителя высоты на пол-оборота и перемещайте держатель по стойке до тех пор, пока наконечник сверла не окажется над обрабатываемой деталью (**рис. F**). Максимальное расстояние между наконечником сверла и обрабатываемой деталью рекомендуется устанавливать в 6 мм. Затяните фиксатор.

14. Возьмитесь за рукоятку станка и опустите ее к месту отверстия.

Полезные советы

При сверлении круглых деталей используйте блок “V” или тиски. Для сверления отверстия по центру круглой детали, необходимо нанести отметку в ее центре (**рис. I**). Для нанесения отметки используйте кернер (не входит в комплект поставки).

Избегайте подачи инструмента к детали на расстояние, при котором скорость вращения двигателя заметно падает. Подводите сверло к месту отверстия плавно и осторожно. Это позволит сделать отверстие ровным и без сколов по краям.

Изготовление прижимов для рабочей станции 220

Прижимы можно изготовить из древесины, стали или алюминия, в зависимости от выполняемого вида работ (**рис. J**).

- Отрежьте или отпилите материал требуемой длины, ширины и высоты.
- Используя сверло 8 мм, просверлите отверстие в нужном месте в прижиме и прокладке.
- Для сборки прижимов используйте болты с квадратным подголовком 8 - 40 мм или длиной 50 мм, соответствующие шайбы и гайки-барашки.

4. Установите прижим в основании, вставив болт в отверстие основания гайкой-барашком вверх.

При использовании прижимов для фиксации обрабатываемых деталей толщиной свыше 6 мм, всегда используйте распорный блок для поддержки прижима с обратной стороны. Для наилучшей поддержки распорный блок следует отрезать на 3 мм короче длины обрабатываемой детали.

Сервисное обслуживание

В случае возникновения претензий отошлите инструмент в сборе Вашему дилеру или в ближайший сервис-центр Dremel, приложив

товарный чек (адреса указаны на веб-сайте по адресу www.dremel.com).

GB

CE DECLARATION OF CONFORMITY.
We declare under our sole responsibility that the product model:
DREMEL 220 WORKSTATION
is in conformity with the provisions of the Directive 98/37/EC.



FIN

CE - VAATIMUSTENMUKAISUUS.
Ilmoitamme yksin oivavanne vastuussa siittä, että tuotemallin:
DREMEL 220 WORKSTATION
noudattaa direktiivii 98/37/EC.



H

CE MEGFELELŐSÉGI NYILATKOZAT.
Kizárólagos felelősséggel kijelentjük, hogy az alábbi típusú termék:
DREMEL 220 MUNKAÁLLOMÁS
megfelel a 98/37/EC direktíva előírásainak.



D

CE KONFORMITÄTSEKKLÄRUNG.
Wir erklären in alleiniger Verantwortung, dass das Produkt Modell:
DREMEL 220 WORKSTATION
den Vorgaben der EU-Richtlinie 98/37/EC entspricht.



DK

EF-OVERENSSTEMMELSEERKLÆRING
Vi erklærer som eneansvarlige, at produktet model:
DREMEL 220 WORKSTATION
er i overensstemmelse med bestemmelserne i Rådets direktiv 98/37/EC.



CZ

PROHLÁŠENÍ O SHODĚ S CE.
Na svou vlastní odpovědnost prohlašujeme, že model:
STOJANOVÝ KORPUS DREMEL 220
se shoduje s požadavky směrnice 98/37/EC.



F

DECLARATION DE CONFORMITE CE.
Nous certifions sous notre seule responsabilité que le produit Modèle :
WORKSTATION 220 DREMEL
est conforme aux dispositions de la Directive 98/37/EC.



I

DICHIARAZIONE DI CONFORMITA' CE.
Dichiariamo sotto nostra personale responsabilità che il prodotto modello:
WORKSTATION 220 DREMEL
è conforme alle norme della Direttiva CE 98/37.



PL

DEKLARACJA ZGODNOŚCI CE.
Oświadczamy, przyjmując za to wyłączną odpowiedzialność,
że model produktu:
DREMEL 220 WORKSTATION
zgodny jest z postanowieniami Dyrektywy 98/37/EC.



NL

CE KONFORMITEITSVERKLARING.
Wij verklaren op eigen verantwoording dat het productmodel:
DREMEL 220 WORKSTATION
voldoet aan de voorschriften van de richtlijn 98/37/EC.



E

DECLARACIÓN DE CONFORMIDAD CE.
Declaramos bajo nuestra única responsabilidad que el producto modelo:
DREMEL 220 WORKSTATION
se encuentra en conformidad con las disposiciones de la directiva 98/37/CE.



TR

CE STANDARDIZASYON BEYANI.
Yegane sorumlu olarak aşağıdaki modelin:
DREMEL 220 İŞ İSTASYONU
98/37/EC standardlarına uygun olduğunu beyan ederiz.



S

EG-KONFORMITÄTSFÖRKLÄRING.
Härmed förklarar vi att följande produkt:
DREMEL 220 WORKSTATION
följer reglerna och villkoren i direktivet 98/37/EC.



P

DECLARAÇÃO CE DE CONFORMIDADE.
Declaramos, sob nossa exclusiva responsabilidade, que este produto, modelo:
POSTO DE TRABALHO DREMEL 220
está em conformidade com as disposições da directiva 98/37/CE.



RU

CE ДЕКЛАРАЦИЯ О СООТВЕТСТВИИ.
Мы со всей ответственностью заявляем, что изделие:
DREMEL 220 WORKSTATION
соответствует положениям директивы 98/37/EC.



N

KONFORMITÄTSEKKLÄRUNG
Vi erklærer herved at produktmodell:
DREMEL 220 WORKSTATION
oppfylder vilkårene i EU-direktiv 98/37/EF.



GR

ΔΗΛΩΣΗ ΠΙΣΤΟΤΗΤΑΣ ΕΚ.
Με αποκλειστική μας ευθύνη δηλώνουμε, ότι το προϊόν τύπου:
DREMEL 220 WORKSTATION
ανταποκρίνεται στις διατάξεις της οδηγίας 98/37/ΕΚ.

