



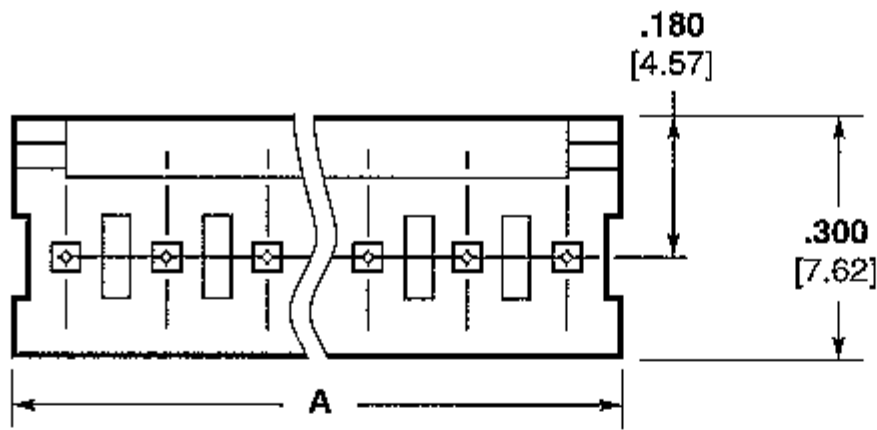
Alphabetical **SEARCH** Picture **SEARCH** Part Number **SEARCH**

Go To Step Search™ Screen

640445-4 -- *1 of 1 products*

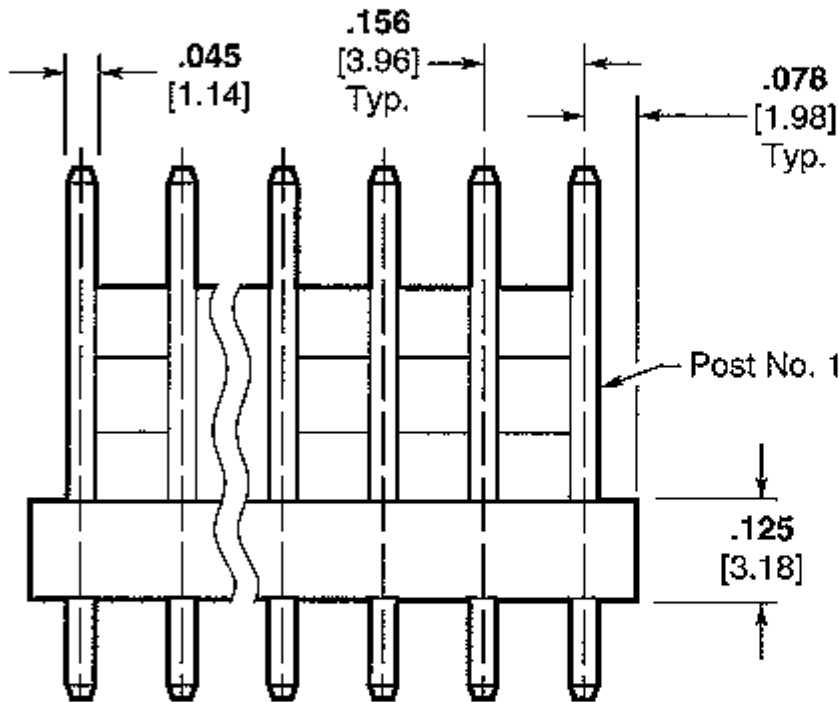
MTA-100, MTA-156, CST-100 and SL-156
MTA, CST, MT-6/MT-7, SL Connectors and Headers

General **INFO**
 Sales **INFO**
 Customer Drawings **SPECIFICATIONS**
 CAD Geometry

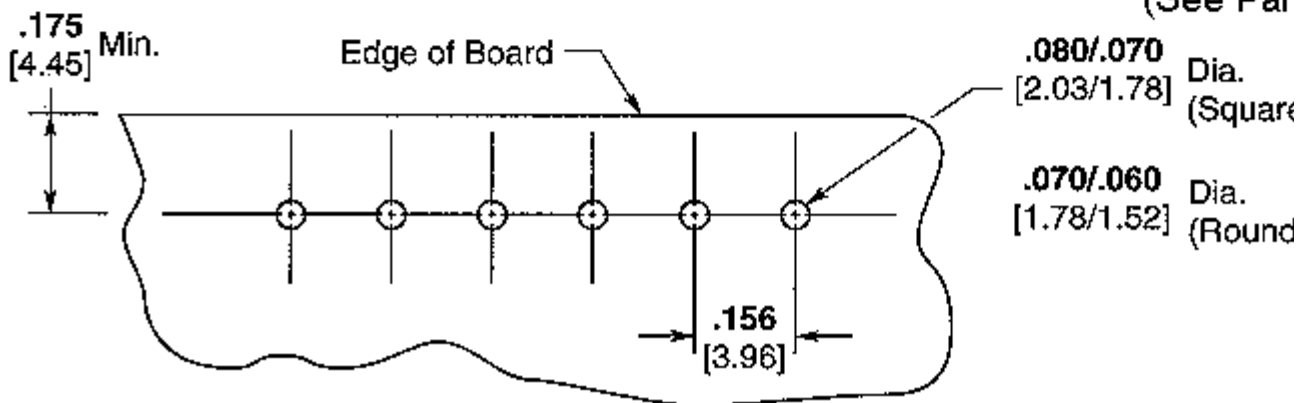


$Y = .068$
tin pl
posit

$Y = .073$
tin pl



Solder
Length
(See Par



Recommended Mounting Hole Size for a $.062$ [1.57] Thk. P

Line art represents typical product only.

Searchable Features:

Product Type	MTA-156 Connectors
# of Positions	4
Mating Type	Header
Application	Wire To Board
Contact Centerline Spacing	.156 [3.96] in. [mm]
Contact Shape	Square
Contact Mating Area Plating	Tin
Terminate To	Printed Circuit Board
PCB Mount Angle	Vertical
Special PCB Retention	No
Mating Polarization	No
Mating Connector Lock	With
Four Points of Contact	Without
Shrouded	No
Mounting Ears	Without
Body Shape	Standard
Panel Attachment	No

Other Properties:

Contact Material	Copper Alloy
Dim. A	.624 [15.85] in. [mm]
Housing Color	White
Housing Flammability Rating	UL 94V-0
Housing Material	Polyester
Mating Connector Lock Type	Friction Lock
Packaging Quantity	500
PCB Thickness	.062 [1.57] in. [mm]
Post Size	.045 [1.14] Sq. in. [mm]
Solder Tail Length	.125 [3.18] in. [mm]
Solder Tail Plating	Tin
Solder Tail Material	Copper Alloy