

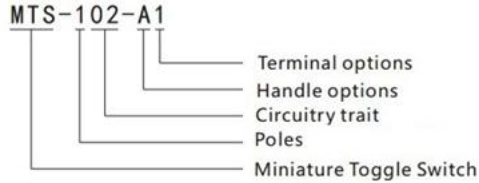
МИНИАТЮРНЫЕ ТУМБЛЕРА СЕРИИ MTS.



Miniature Toggle Switch MTS Series



Ordering Information



Specification

1. Rating:6A 125VAC;3A 250VAC
2. Contact Resistance:20mΩ max
3. Insulation Resistance:500VDC 1000MΩ min
4. Dielectric Strength:1500VAC ,1Minute
5. Operating Temperature:-25°C ~ +85°C
6. Electrical Life:10,000 Cycles

Circuitry trait

| Model No | Circuitry trait | | | Type | Terminals |
|----------|-----------------|-----|------|------|-----------|
| | | | | | |
| MTS-101 | ON | — | OFF | SPST | 2P |
| MTS-102 | ON | — | ON | SPDT | 3P |
| MTS-112 | ON | — | (ON) | SPDT | 3P |
| MTS-103 | ON | OFF | ON | SPDT | 3P |
| MTS-113 | ON | OFF | (ON) | SPDT | 3P |
| MTS-123 | (ON) | OFF | (ON) | SPDT | 3P |

Base color

| Material | Base color | |
|----------|------------|-------|
| PBT | Blue | |
| Bakelite | Red | Black |

Water proof cap

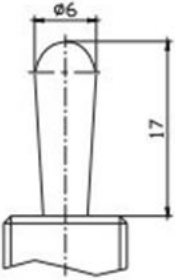
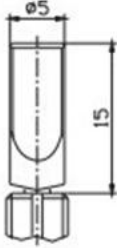
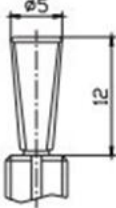
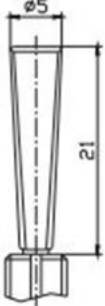
| | | |
|--------|--|--|
| WPC-04 | | |
| WPC-05 | | |

| Model No | Circuitry trait | | | Type | Terminals |
|----------|-----------------|-----|------|------|-----------|
| | | | | | |
| MTS-201 | ON | — | OFF | DPST | 4P |
| MTS-202 | ON | — | ON | DPDT | 6P |
| MTS-212 | ON | — | (ON) | DPDT | 6P |
| MTS-203 | ON | OFF | ON | DPDT | 6P |
| MTS-213 | ON | OFF | (ON) | DPDT | 6P |
| MTS-223 | (ON) | OFF | (ON) | DPDT | 6P |

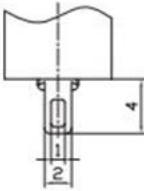
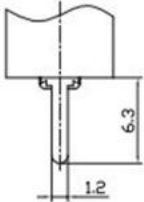
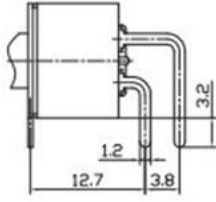
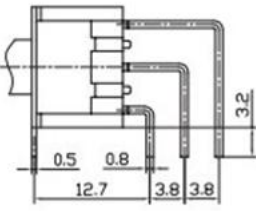
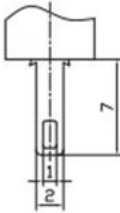
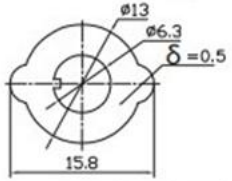
Indicates Momentary

Handle options

| | | | | |
|---------------------|-----------------|------------------|----------------------------|----------------------------------|
| <p>Standard (A)</p> | <p>Long (B)</p> | <p>Short (C)</p> | <p>With handle cap (D)</p> | <p>Grand (G)</p> <p>1/4-40NS</p> |
|---------------------|-----------------|------------------|----------------------------|----------------------------------|

| | | | |
|---|---|--|---|
| <p>Large handle (L)</p>  <p>M12X0.75</p> | <p>Plastic Flat (E)</p>  <p>1/4-40NS</p> | <p>Metal Flat (F)</p>  | <p>Long Metal Flat (FL)</p>  |
|---|---|--|---|

Terminal options

| | | | | | | | | | | | | | | |
|---|---|--|-----|----|---|-----|-----|----|---|----|-----|----|-----|----|
| <p>Solder terminal (1)</p>  | <p>PC terminal (2)</p>  | <p>PC-H terminal (3)</p>  | | | | | | | | | | | | |
| <p>PC-V terminal (4)</p>  | <p>Long Solder terminal (5)</p>  | <p>Nameplate</p>  <table border="1" data-bbox="1241 1512 1449 1601"> <tr> <td>(1)</td> <td>ON</td> <td>-</td> <td>OFF</td> </tr> <tr> <td>(2)</td> <td>ON</td> <td>-</td> <td>ON</td> </tr> <tr> <td>(3)</td> <td>ON</td> <td>OFF</td> <td>ON</td> </tr> </table> | (1) | ON | - | OFF | (2) | ON | - | ON | (3) | ON | OFF | ON |
| (1) | ON | - | OFF | | | | | | | | | | | |
| (2) | ON | - | ON | | | | | | | | | | | |
| (3) | ON | OFF | ON | | | | | | | | | | | |

MTS-102-F1 ON-ON SPDT 3P

METAL FLAT LEVER

