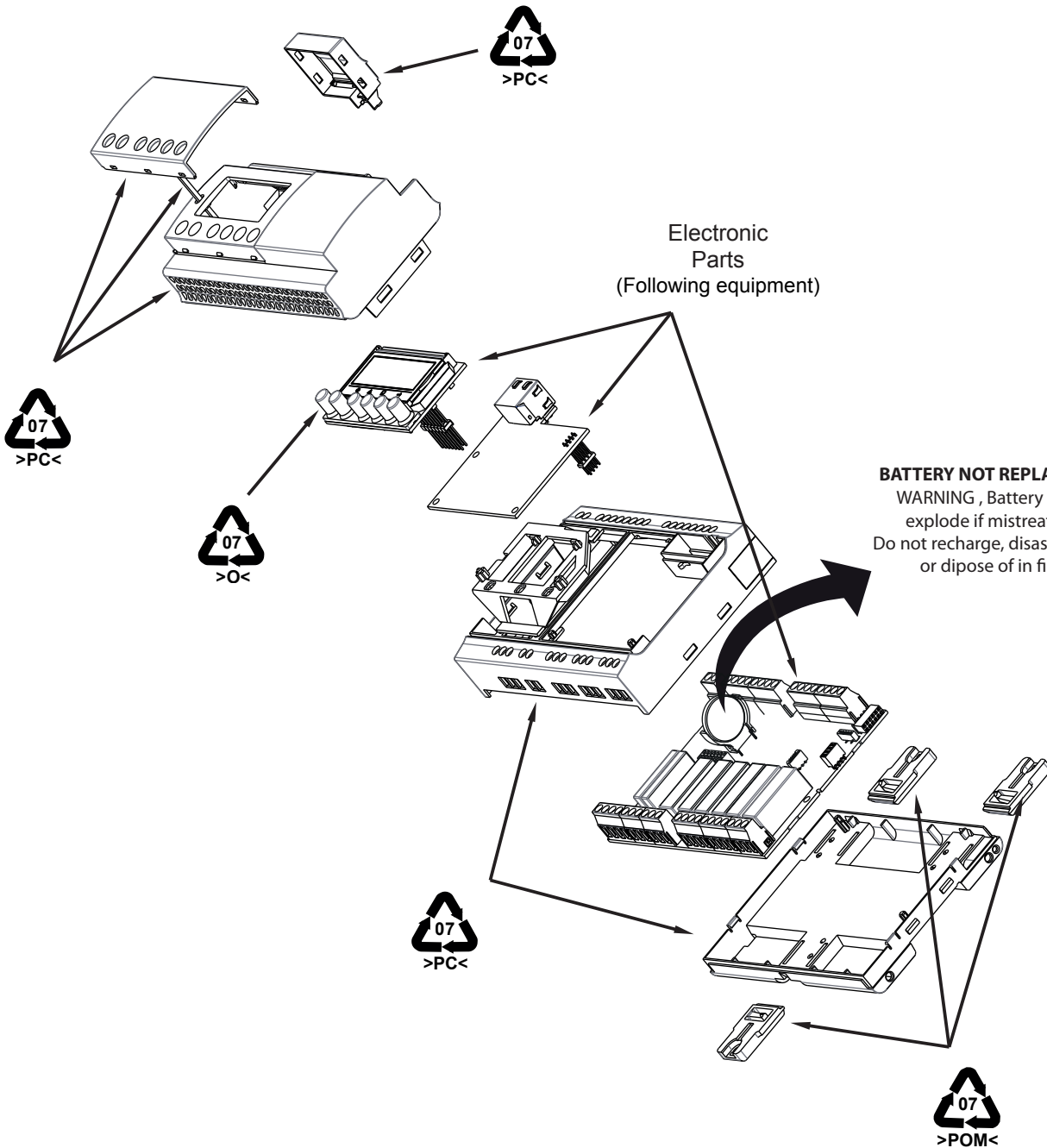
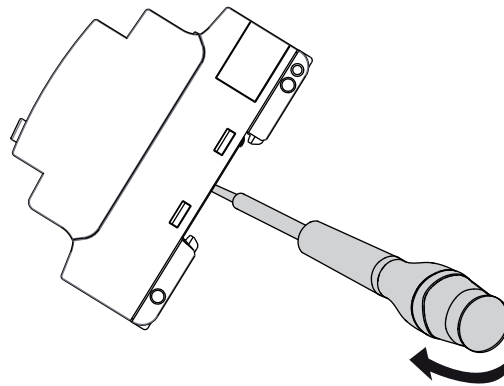
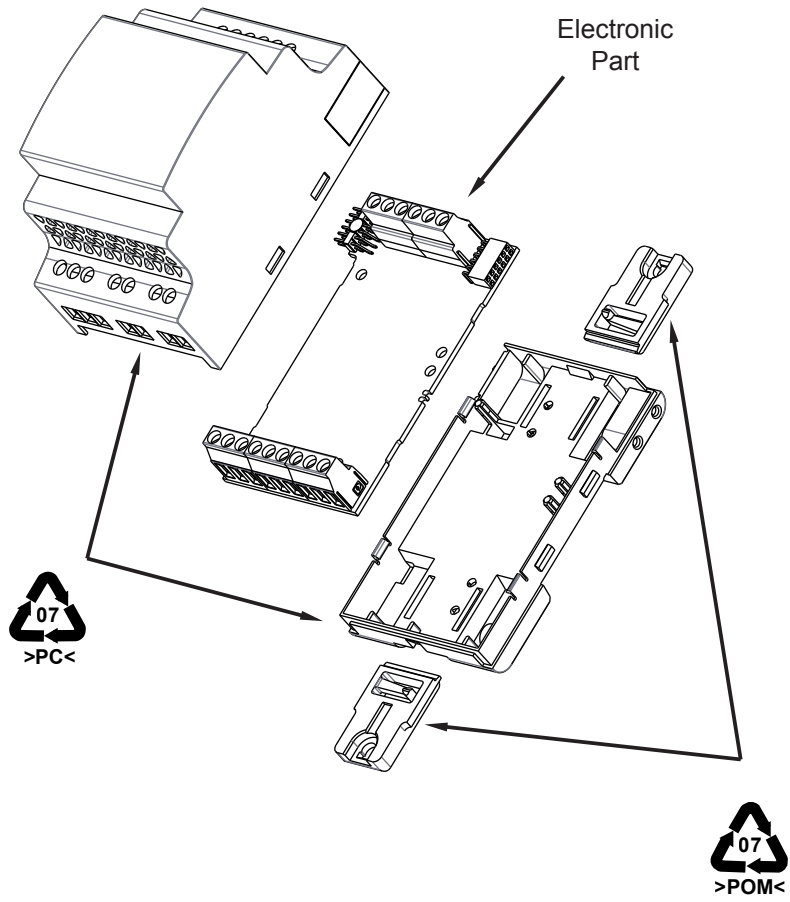
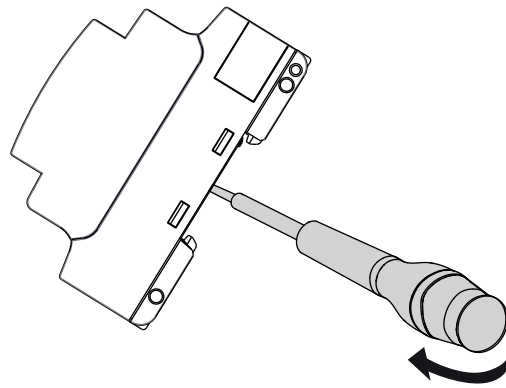


Based / Base / Base

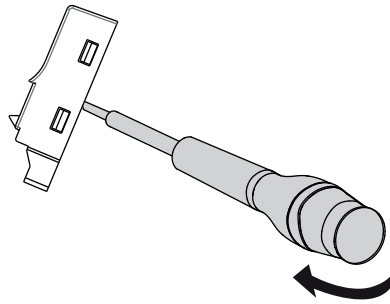


BATTERY NOT REPLACEABLE
WARNING, Battery may explode if mistreated.
Do not recharge, disassemble, or dispose of in fire.

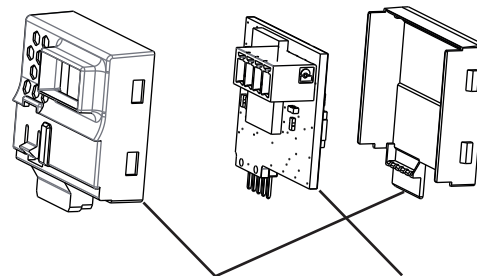
Expansions / Extensions / Expansiones /



Interfaces / Interfaces / Interfacce



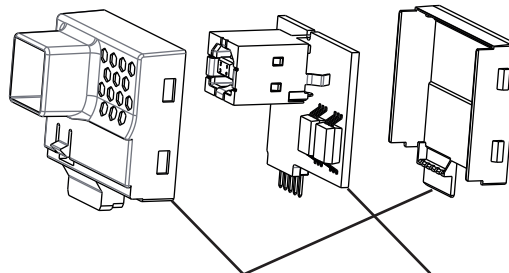
RS485 :



Electronic Parts



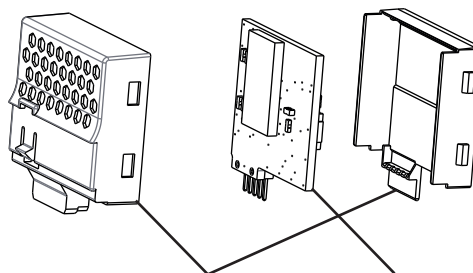
USB :



Electronic Parts



BLUETOOTH, MEMORY :



Electronic Parts

