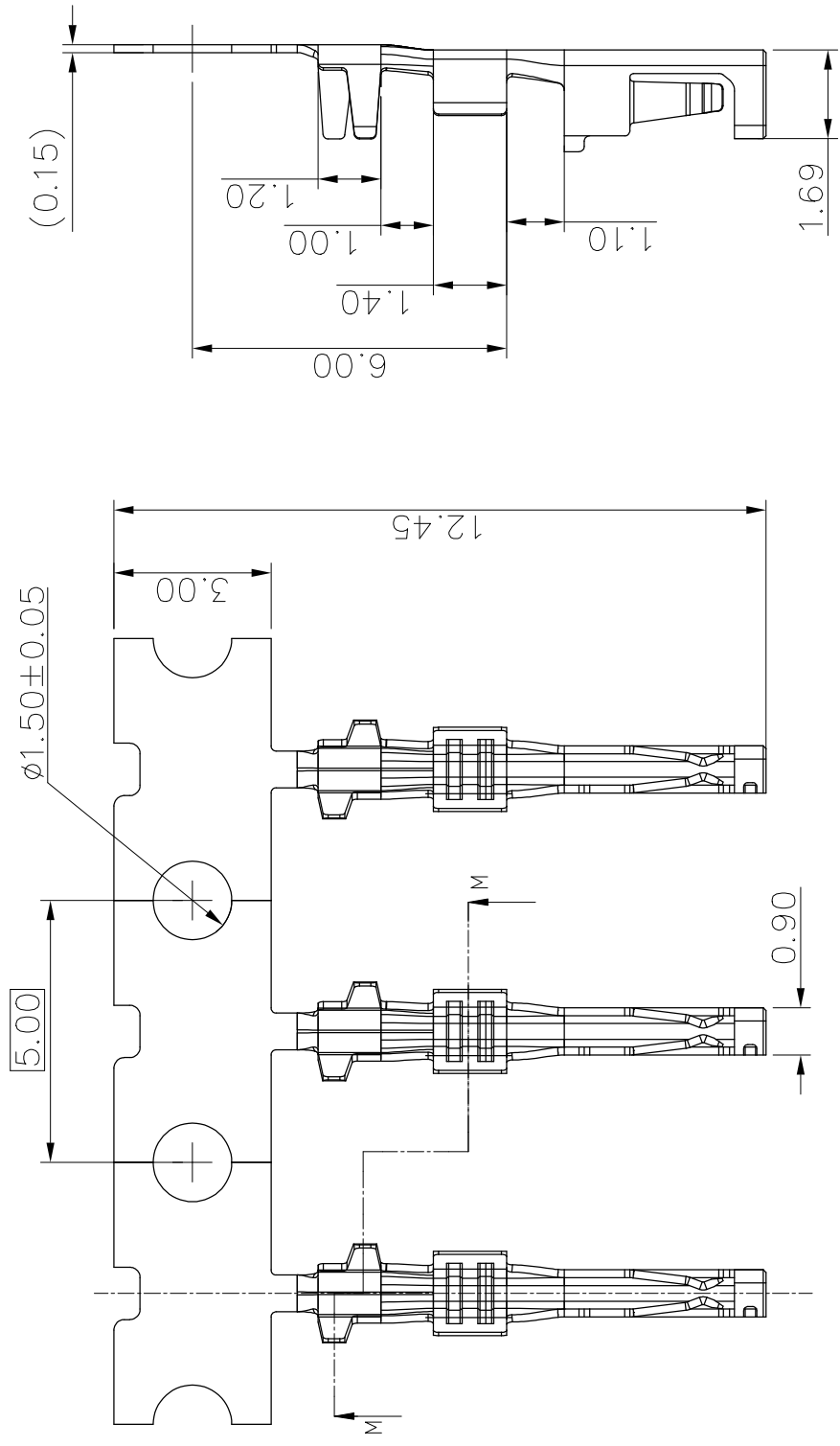


P/N	WIRE SIZE	DIM."A"	DIM."B"	DIM."C"	DIM."D"	DIM."Ø"	DIM."Ø _w "
10157551-XP10LF	AWG26~28	1.9	1.8	1.6	1.25	0.8	0.3
10157551-XP20LF	AWG 24	1.9	1.9	1.7	1.50	1.1	0.45



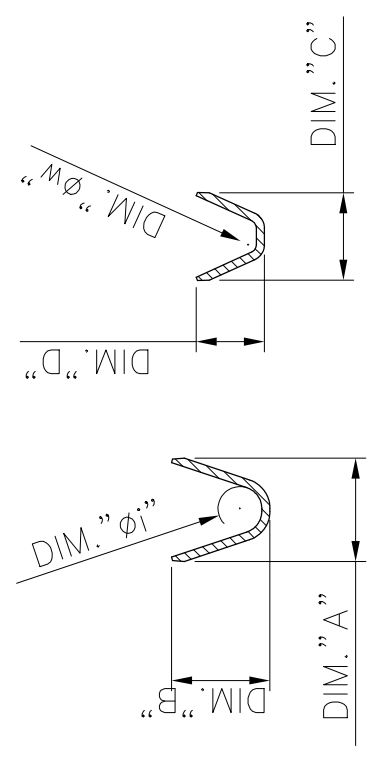
NOTES:
 1. MATERIAL: COPPER ALLOY, T=0.15MM;
 2. UNLESS OTHERWISE SPECIFIED, ALL INNER RADII ARE R0.10mm.
 3. PRODUCT SPEC.: GS-12-1610.
 4. PACKING: 20KPC/REEL;
 5. DIMENSIONING SHALL BE INTERPRETED PER ASME Y14.5-2009.
 6. PART NUMBER:
 10157551-X X X X LF

PLATING:
 0=100u" MIN. Tin
 Plated

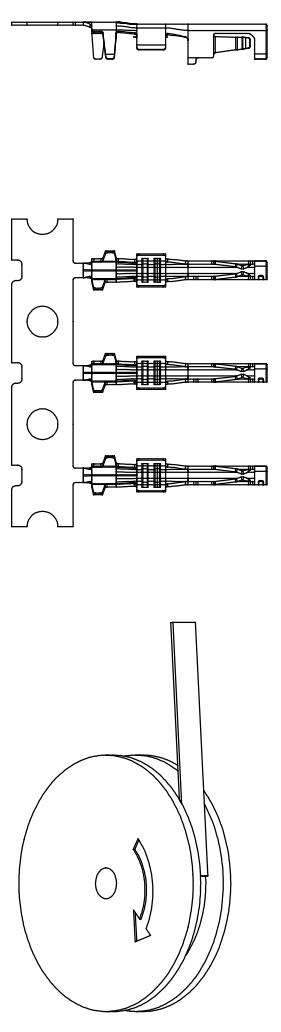
WIRE SIZE RANGE:
 1=26 to 28 AWG
 2=24AWG

MATERIAL:
 P=COPPER
 ALLOY

0=BLANK



SECTION M-M



mat'l. code		surface	tolerance	projection	product family
itr	ecn no dr	ISO 1302	ISO 406	ISO 1101	HPL 542
A	-	tolerances unless otherwise specified		mm	title
B	ELX-N-3904Q	angles	linear	mm	Cable Terminal
		0±.30		scale N/A	Multipitch WTB
		.00±.15			dwg no
		0±2°			sheet 1 of 1 size
		dr	Arthur Zhao	2020/11/20	10157551
		engr	Arthur Zhao	2020/11/20	A3
		chr	Nick ZHANG	2020/11/20	Product Customer Drawing
		appd	Tim Yao	2020/11/20	
sheet	revision				
index	sheet				