

Flush Strain Relief Boots for XL Cable



Flush Strain Relief Boots for Extra Large Cable (PS3*?)

Patented solution enables low profile cable assemblies (eg of Cat 6A) even with large OD cables

Features

- Designed in combination with plug [PGScbXL](#) – locks on for a flush and secure finish.
- Compact, durable construction.
- Supplied in both black and transparent versions
- Available in variations for both 7.5mm and 8.5mm cable.
- Hood extends to cover plug latch to prevent snagging on other cables.

Specifications

- Weight: 0.5g
- Material: Polycarbonate.
- Dimensions (W x H x D): 11.6 x 17 x 22.6mm

Packaging: Packaged in poly bags of 100 pieces.

Commodity code: 85176990

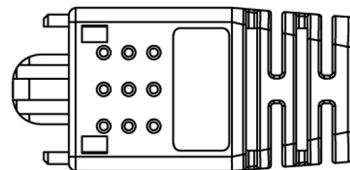
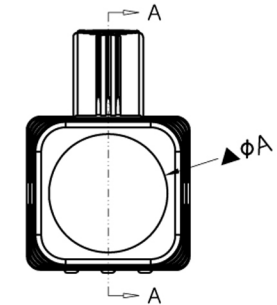
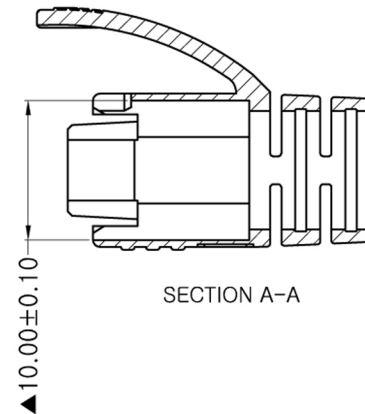
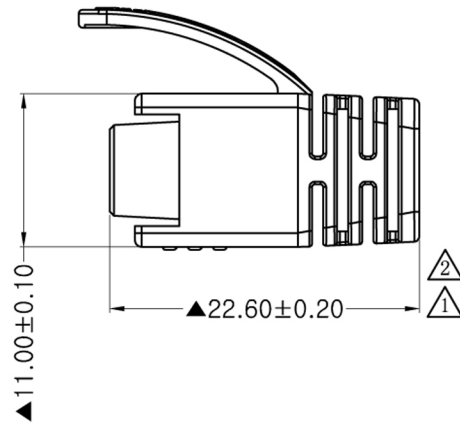
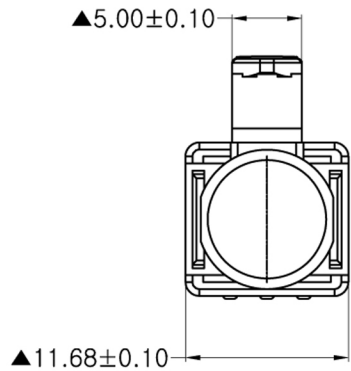
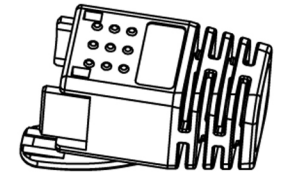
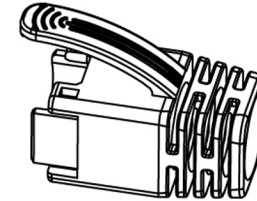
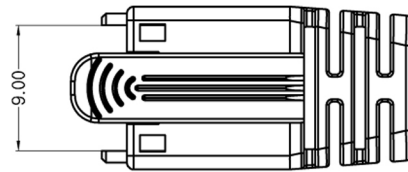


Code	Colour	Cable Size	EAN Number
PS3bk7.5	Black	7.5mm	5055386509727
PS3bk8.5	Black	8.5mm	5055386509734
PS3CLR7.5	Transparent	7.5mm	5055386509741
PS3CLR8.5	Transparent	8.5mm	5055386509758

ROHS Compliant

Code: PS3*?

* = bk or CLR
? = 7.5 or 8.5



$\varnothing A = 8.50 \pm 0.10 \text{ mm}$

$\varnothing A = 7.50 \pm 0.10 \text{ mm}$