

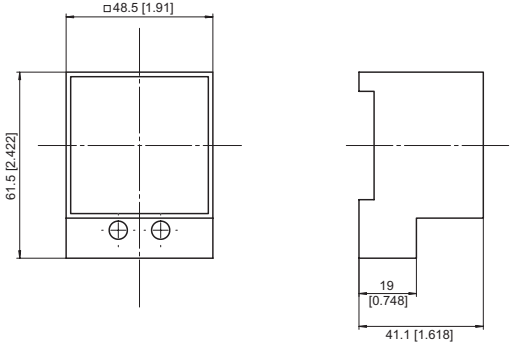

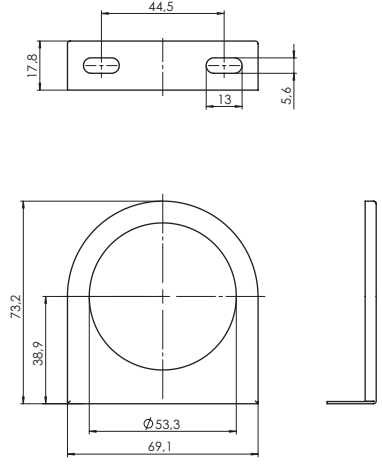


# Accessories

Other accessories		Details			Order no.
Dimensions / Details	Dimensions in mm [inch]				
<b>Terminal cover type Typ KA 37</b> for counter H 37 	<i>description:</i> 2-pcs. per counter required	<i>suitable for:</i> H 37	transparent		<b>T051687</b>
<b>Base mount socket</b> for H 57 / AH 57 counters 	<i>description:</i> for DIN rail mount	<i>suitable for:</i> H 57	black		<b>G008040</b>
<b>Mounting support</b> for HR 76.2, HR 47 	<i>description:</i> for mounting the counter onto a flat plate	<i>suitable for:</i> HR 76.2, HR 47	black		<b>N510199</b>