

THIS DRAWING IS UNPUBLISHED.

RELEASED FOR PUBLICATION

, 19

© COPYRIGHT 19

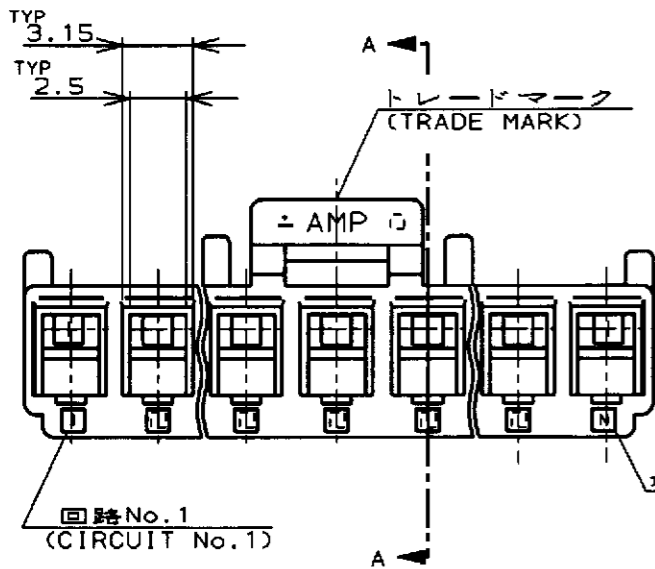
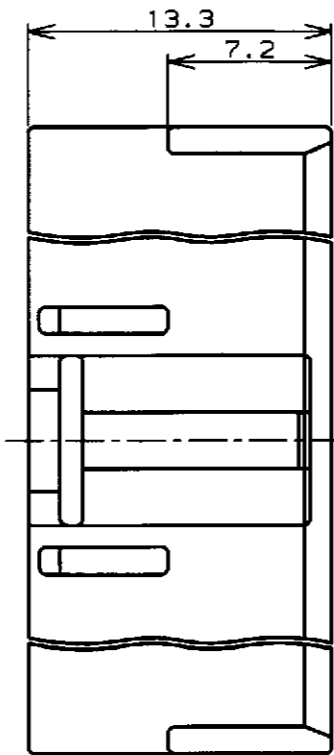
BY AMP INCORPORATED. ALL RIGHTS RESERVED.

注記:

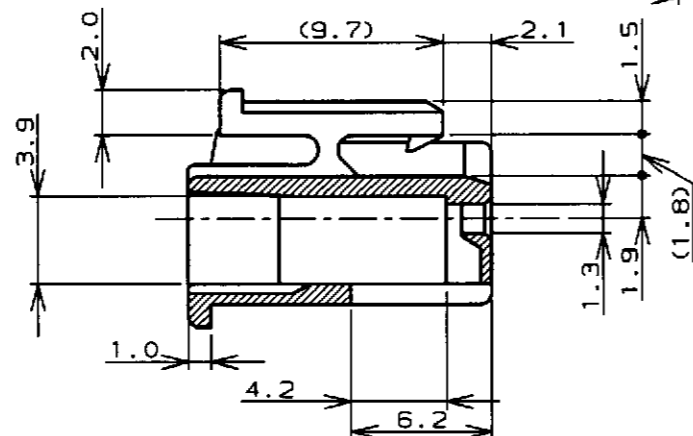
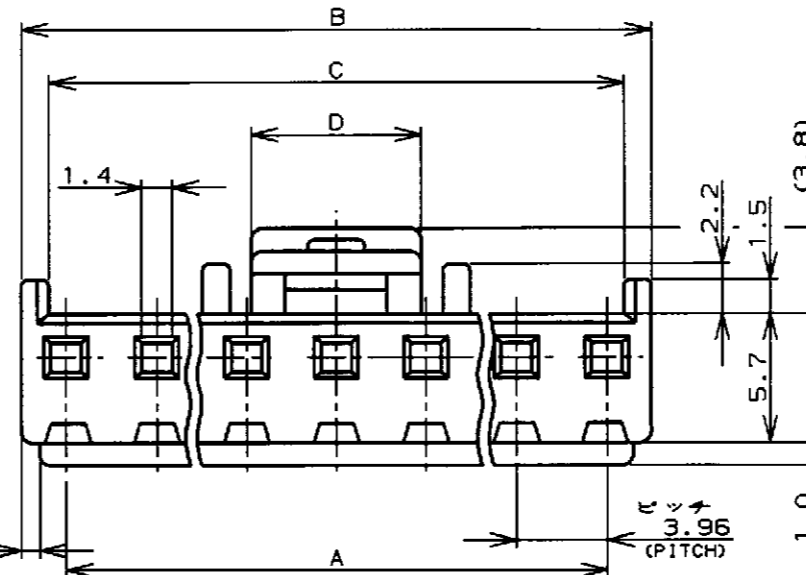
- 1. 適用コンタクト : 0-1123721-1
- 2. 嵌合相手製品型番 : []-1123723-[]
[]-1123724-[]

NOTES:

- 1. APPLICABLE CONTACT P/N : 0-1123721-1
- 2. MATING CONN P/N: []-1123723-[]
[]-1123724-[]



最終回路No. (THE LAST OF CIRCUIT No)



断面 A SECT A

41.10	43.50	39.60	緑 (GREEN)	6-1123722-1	
			黒 (BLACK)	5- -1	
			赤 (RED)	4- -1	
			青 (BLUE)	3- -1	
			黄 (YELLOW)	2- -1	
			自然色 (NATURAL)	1- -1	
37.14	39.54	35.64	緑 (GREEN)	6- -0	
			黒 (BLACK)	5- -0	
			赤 (RED)	4- -0	
			青 (BLUE)	3- -0	
			黄 (YELLOW)	2- -0	
			自然色 (NATURAL)	1- -0	
33.18	35.58	31.68	緑 (GREEN)	6- -9	
			黒 (BLACK)	5- -9	
			赤 (RED)	4- -9	
			青 (BLUE)	3- -9	
			黄 (YELLOW)	2- -9	
			自然色 (NATURAL)	1- -9	
29.22	31.62	27.72	緑 (GREEN)	6- -8	
			黒 (BLACK)	5- -8	
			赤 (RED)	4- -8	
			青 (BLUE)	3- -8	
			黄 (YELLOW)	2- -8	
			自然色 (NATURAL)	1- -8	
7.50	25.26	27.66	23.76	緑 (GREEN)	6- -7
				黒 (BLACK)	5- -7
				赤 (RED)	4- -7
				青 (BLUE)	3- -7
				黄 (YELLOW)	2- -7
				自然色 (NATURAL)	1- -7
21.30	23.70	19.80	緑 (GREEN)	6- -6	
			黒 (BLACK)	5- -6	
			赤 (RED)	4- -6	
			青 (BLUE)	3- -6	
			黄 (YELLOW)	2- -6	
			自然色 (NATURAL)	1- -6	
17.34	19.74	15.84	緑 (GREEN)	6- -5	
			黒 (BLACK)	5- -5	
			赤 (RED)	4- -5	
			青 (BLUE)	3- -5	
			黄 (YELLOW)	2- -5	
			自然色 (NATURAL)	1- -5	
13.38	15.78	11.88	緑 (GREEN)	6- -4	
			黒 (BLACK)	5- -4	
			赤 (RED)	4- -4	
			青 (BLUE)	3- -4	
			黄 (YELLOW)	2- -4	
			自然色 (NATURAL)	1- -4	
9.42	11.82	7.92	緑 (GREEN)	6- -3	
			黒 (BLACK)	5- -3	
			赤 (RED)	4- -3	
			青 (BLUE)	3- -3	
			黄 (YELLOW)	2- -3	
			自然色 (NATURAL)	1- -3	
3.60	5.46	7.86	3.96	緑 (GREEN)	6- -2
				黒 (BLACK)	5- -2
				赤 (RED)	4- -2
				青 (BLUE)	3- -2
				黄 (YELLOW)	2- -2
				自然色 (NATURAL)	1-1123722-2

LOC	DIST	P	LTR	DESCRIPTION	ECN	DATE	DWN	APVD
			C	変更 (REVISED)	FJ00-2025-98	12 NOV '98	my	M.S
			B	変更 (REVISED)	FJ00-1907-98	13 OCT '98	N.Y	M.S
			A	変更 (REVISED)	FJ00-1566-98	19 AUG '98	N.Y	M.S
			O	作成 (RELEASED)	FJ00-1181-98	24 JUN '98	N.Y	M.S

THIS DRAWING IS A CONTROLLED DOCUMENT FOR AMP INCORPORATED. IT IS SUBJECT TO CHANGE AND THE CONTROLLING ENGINEERING ORGANIZATION SHOULD BE CONTACTED FOR THE LATEST REVISION.

DWN 24 JUN '98
CHK 24 JUN '98
APVD 24 JUN '98

N. YAMASAKI
M. SHINDO
M. SHINDO

DIMENSIONS: 単位: 概 mm

TOLERANCES UNLESS OTHERWISE SPECIFIED
一般公差
S: ±0.3
>S: ±0.4

MATERIAL: 66ナイロン UL94V-0 (66NYLON UL94V-0)

FINISH: 仕上

AMP 日本エー・エム・シー株式会社
Kawasaki, Japan

NAME: 3.96mm PITCH ECONOMY POWER (EP) CONN. PLUG HSG
3.96mm ピッチエコノミーパワー (EP) コネクタ
プラグハウジング

SIZE: A3 CAGE CODE: 00779 DRAWING NO: 1123722

RESTRICTED TO: C

CUSTOMER DRAWING

SCALE: 1:1 SHEET 1 OF 1 REV C