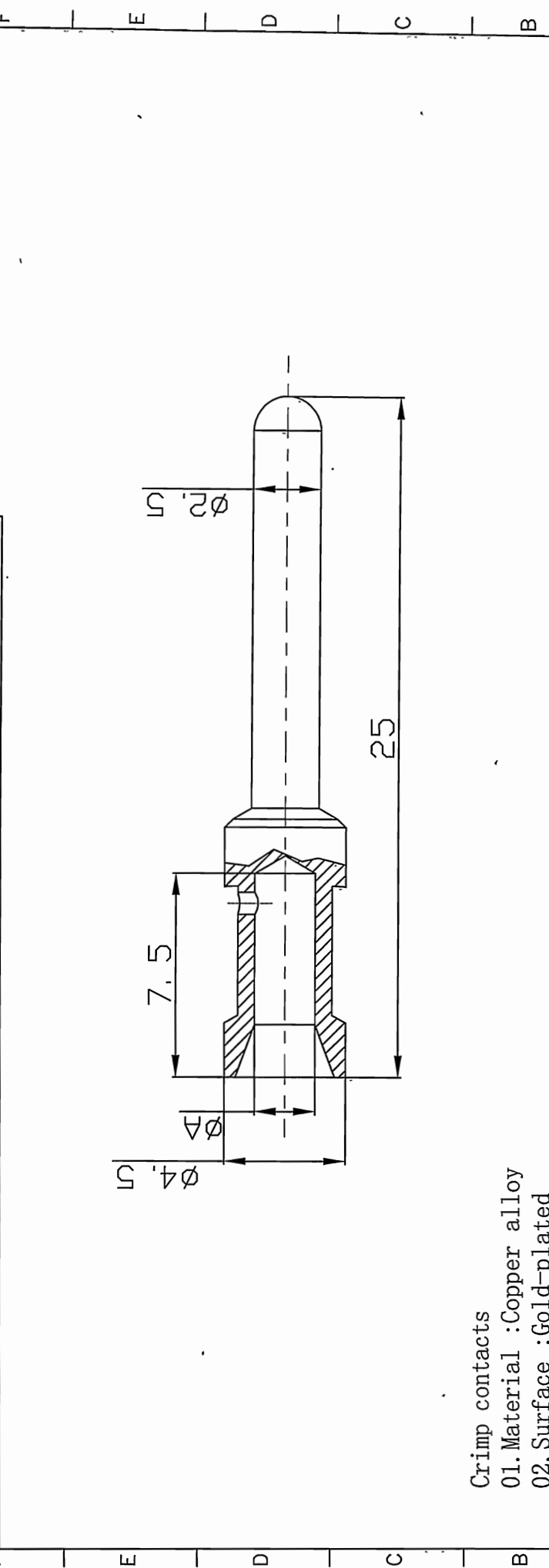


Type of products	(∅A)	Wire gauge		Recommened stripping length
		(mm ²)	(AWG)	
◆ 16A-GM-0.37	0.9	0.14-0.37	26-22	7.5mm
16A-GM-0.5	1.1	0.50	20	7.5mm
16A-GM-0.75	1.3	0.75	18	7.5mm
16A-GM-1.0	1.45	1.00	18	7.5mm
16A-GM-1.5	1.75	1.50	16	7.5mm
16A-GM-2.5	2.25	2.50	14	7.5mm
16A-GM-4.0	2.85	4.00	12	7.5mm



Crimp contacts

01. Material :Copper alloy

02. Surface :Gold-plated

03. Contact resistance : $\leq 1m\Omega$

04. Terminal :Crimp connection

05. Wire gauge : 0.37-4.0mm² (AWG 22-12)

06. Rohs Compliance

PART NO.:	/	NINGBO DEGSON ELECTRICAL CO., LTD
APPR:	JMS 2016.6.1	NAME: 16A-Male Contacts(Gold-plated)
CHKD:	CHY 2016.6.10	TITLE: CUSTOMER DRAWING
DRFT:	Mr.Yang 2016.06.06	DRAWING NO.:
		REV DO
		SHEET 1/1
		SCALE 5:1

DETAILED LIST

THIRD ANGLE PROJECTION

MM (INCH)

DO NOT SCALE DRAWING