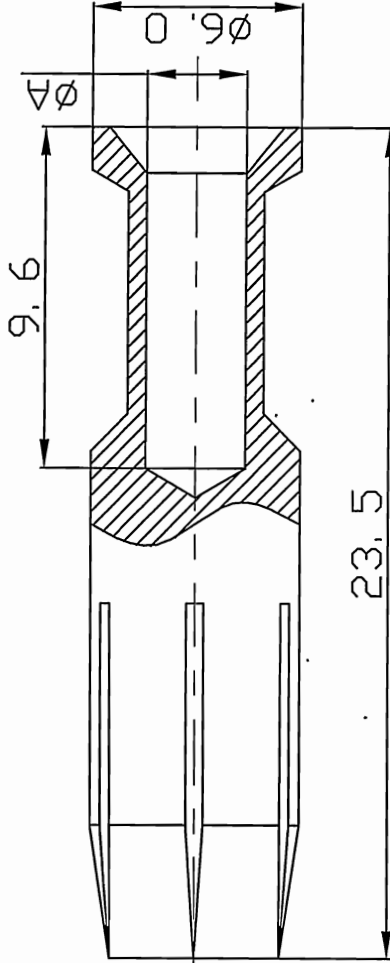


Contacts, silver-plated

| Type of products | (∅A) | Wire gauge         |       | Recommended stripping length |
|------------------|------|--------------------|-------|------------------------------|
|                  |      | (mm <sup>2</sup> ) | (AWG) |                              |
| ◆ 40A-SF-1.5     | 1.75 | 1.5                | 16    | 9.0mm                        |
| 40A-SF-2.5       | 2.25 | 2.5                | 14    | 9.0mm                        |
| 40A-SF-4.0       | 2.85 | 4.0                | 12    | 9.6mm                        |
| 40A-SF-6.0       | 3.5  | 6.0                | 10    | 9.6mm                        |
| 40A-SF-10        | 4.3  | 10.0               | 8     | 12mm                         |



- Crimp contacts
01. Material : Copper alloy
  02. Surface : hard-silver plated
  03. Contact resistance : ≤0.3mΩ
  04. Terminal : Crimp connection
  05. Wire gauge : 1.5-6mm<sup>2</sup> (AWG 16-10)
  06. Rohs Compliance

|                           |                         |                                   |       |
|---------------------------|-------------------------|-----------------------------------|-------|
| PART NO.: /               |                         | NINGBO DEGSON ELECTRICAL CO., LTD |       |
| APPD: HJS 2016.8.11       | NAME: 宁波高松电子有限公司        |                                   |       |
| CHKD: CLK 2016.8.18       | 40A-Female Contacts     |                                   |       |
| DRFT: Mr. Yang 2016.08.08 | TITLE: CUSTOMER DRAWING |                                   |       |
| THIRD ANGLE PROJECTION    |                         | DO NOT SCALE                      | SCALE |
| DETACHED LISTS            |                         | DRAWING NO.: /                    | REV   |
|                           |                         | MM (INCH)                         | SHEET |
|                           |                         | 1                                 | 1/1   |
|                           |                         | 2                                 | 5:1   |

| REVISION RECORD |     |             |      |
|-----------------|-----|-------------|------|
| REV             | ECN | DESCRIPTION | DATE |
|                 |     |             |      |