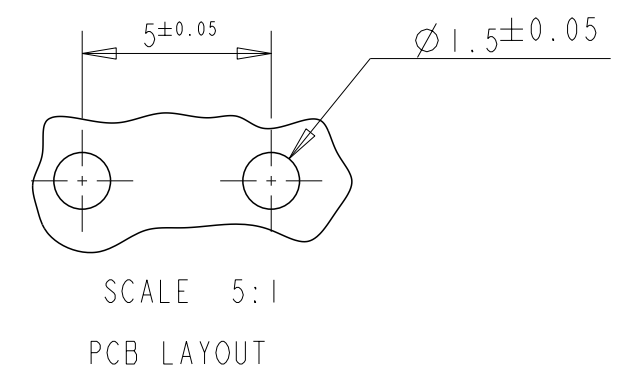
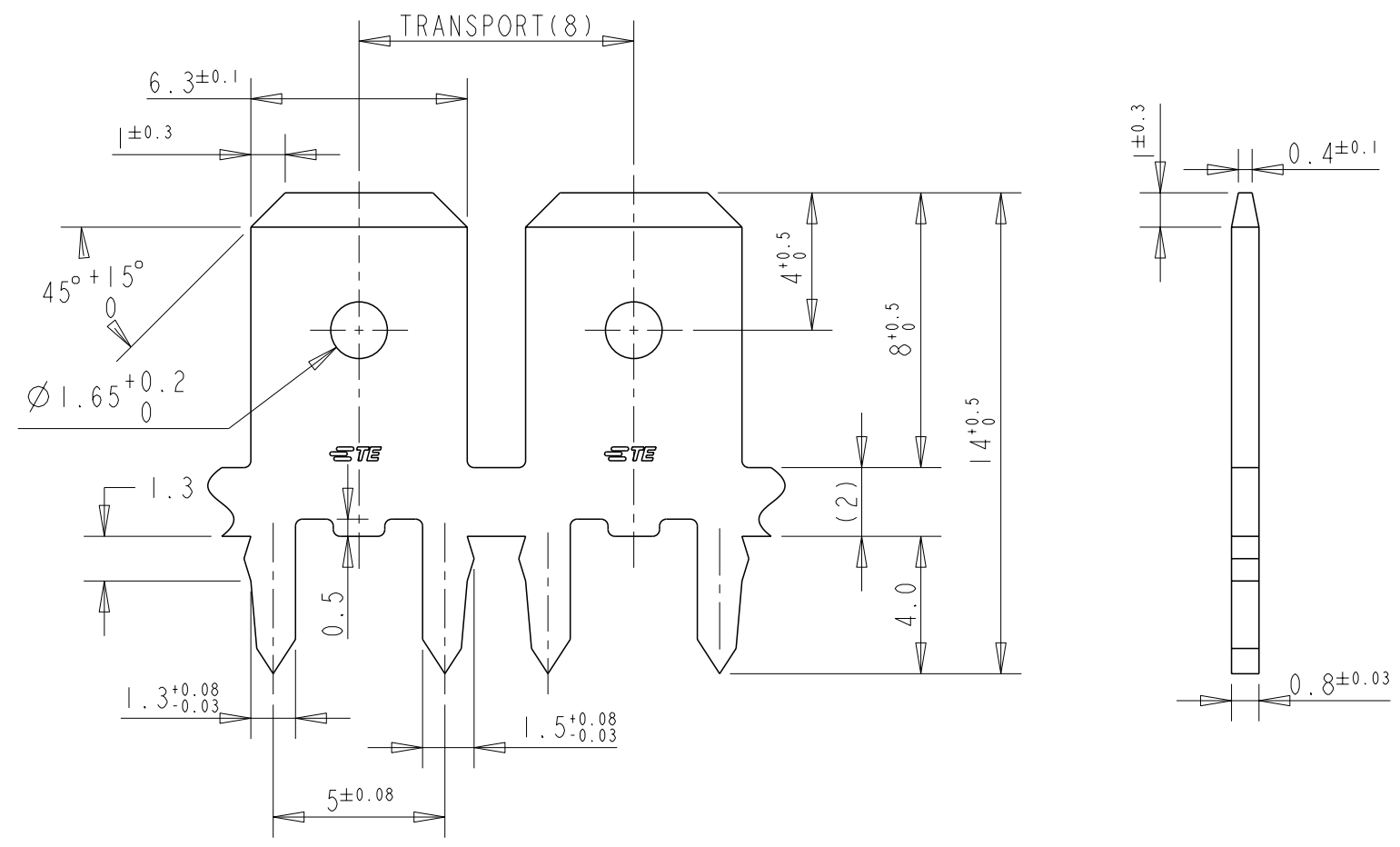
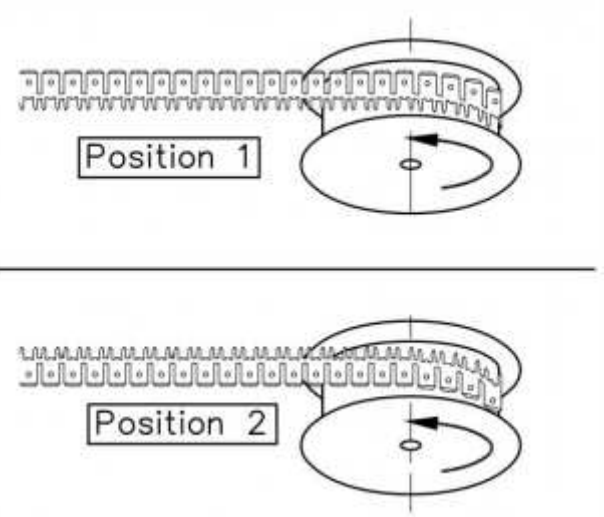


REVISIONS				
P	LTR	DESCRIPTION	DATE	APVD
	A	RELEASE TO PRODUCTION	28MAY21	MK EW

NOTE:  
 1. CONTINUOUS STRIP ON REELS.  
 2. MATTE TIN PLATE WITH NICKEL UNDERPLAYER.



DIRECTION OF TRANSPORT OF SALE SPOOLS



THIS DRAWING IS A CONTROLLED DOCUMENT.	
DIMENSIONS: mm	TOLERANCES UNLESS OTHERWISE SPECIFIED: 0 PLC ±- 1 PLC ±0.3 2 PLC ±0.15 3 PLC ±- 4 PLC ±- ANGLES ±- FINISH -
MATERIAL AS TABLE	-

DWN	12MAY2020
CHK	12MAY2020
APVD	12MAY2020
PRODUCT SPEC	108-106562
APPLICATION SPEC	114-2115
WEIGHT	-
CUSTOMER DRAWING	

STANDARD	2	CuZn30	2376582-2
REELING	FINISH	MATERIAL	PN
<b>STE</b> TE Connectivity			
NAME TAB.FASTON. P.C.BOARD 6.35[.250]			
SIZE	CAGE CODE	DRAWING NO	RESTRICTED TO
A3	00779	C=2376582	-
SCALE		SHEET	REV
5:1		1 OF 1	A

Printed on 1 Jun 2021 11:47 (India Standard Time) from TE39T007