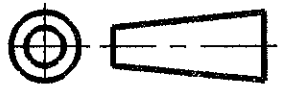


DO NOT SCALE

DIMENSIONS IN mm

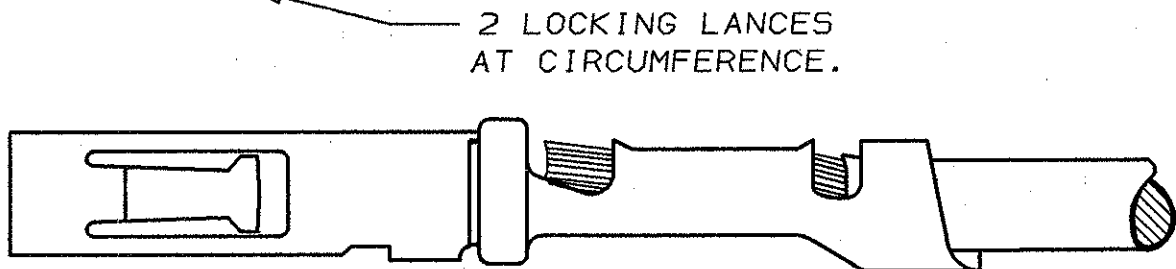
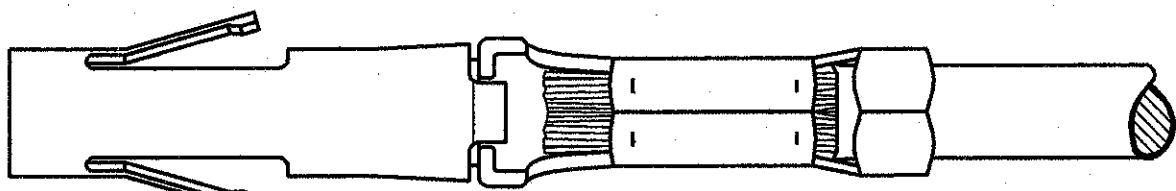
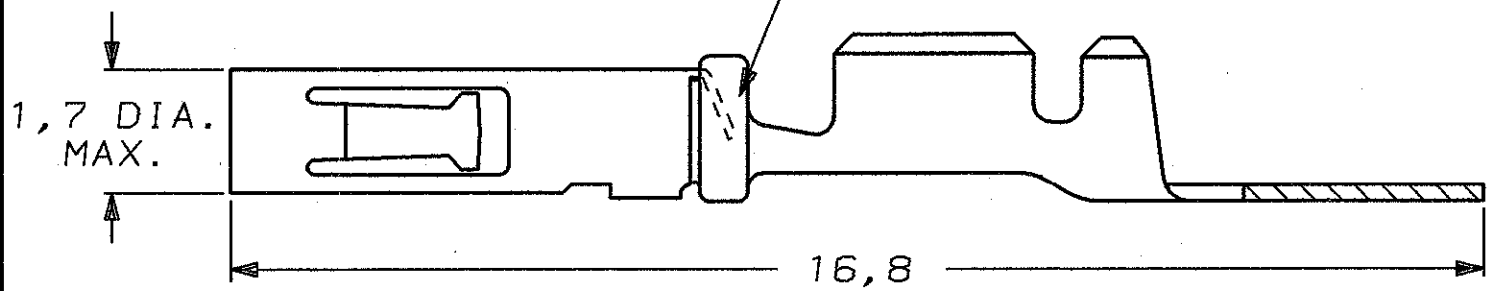
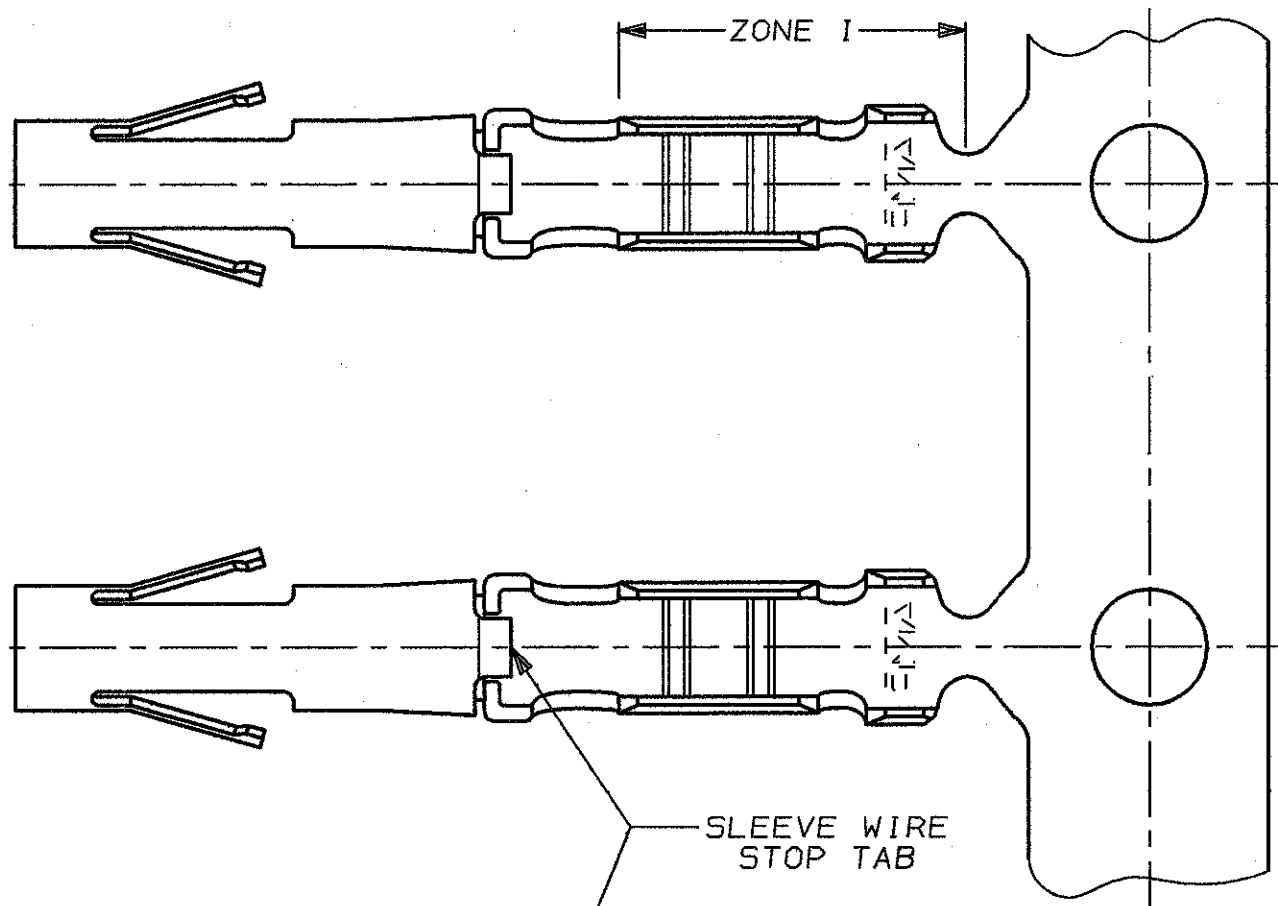
METRIC

THIRD ANGLE
PROJECTION



NOTES:

- 1 FOR USE ON MINIATURE APPLICATOR (LEFT-RIGHT FEED).
- 2 FOR USE ON STANDARD APPLICATOR (RIGHT-LEFT FEED)
- 3 FOR LOOSE-PIECE VERSIONS SEE DWG. 164169.
- 4 UNDERCOATING: 1,3µm Ni.
SELECTIVE : 0,8µm Au.
ZONE I : BRIGHT TIN/LEAD PLATED
- 5 UNDERCOATING: 1,27µm Ni.
SELECTIVE : 2,0µm Au.
REMAINDER : GOLDFLASH.
- 6 UNDERCOATING: 1,3µm Ni.
SELECTIVE : 0,8µm Au.
REMAINDER : GOLDFLASH.



WIRE RANGE :
20-24 AWG 0,2-0,56 mm²
INSULATION RANGE :
1,57 DIA. MAX.

SEE NOTE 5	STAINLESS STEEL	BRASS	1-164153-0	1
POST TINPLATED			164153-9	2
SEE NOTE 6			164153-8	2
SEE NOTE 4			164153-7	2
SEE NOTE 4			164153-6	1
PRETINNED			164153-5	2
PRETINNED			164153-4	1
POST TINPLATED			164153-2	1
SEE NOTE 6			164153-1	1
PLATING OF BODY			MATERIAL OF SLEEVE	MATERIAL OF BODY

-				-		-		-		CUSTOMER DRAWING		FOR REFERENCE ONLY WILL NOT BE UPDATED	
-				-		-		-		© COPYRIGHT 19-		BY AMP HOLLAND B.V.	
-				-		-		-		ALL INTERNATIONAL RIGHTS RESERVED. AMP PRODUCTS MAY BE COVERED BY U.S. AND FOREIGN AND/OR PATENTS PENDING.			
-				-		-		-		THIS DRAWING IS UNPUBLISHED RELEASED FOR PUBLICATION			
-				-		-		-		AMP		AMP HOLLAND B.V. 's-Hertogenbosch, The Netherlands.	
-				-		-		-		NAME		HDR SOCKET CONTACT TYPE XI (CRIMP SNAP-IN)	
J	EH-0077-92			JvL	CvT	04-03-94				DWG.No.		C-164153	
LTR.	REVISION RECORD			DR.	CHK.	DATE				REV.LTR.		SHEET	
DR. : J.v.LIEMPT		CHK. : C.v.TILBURG		APP. : A.v.SOEST		DATE : 08-02-93				J		1 OF 1	
DATE : 6 JAN 1993		DATE : 08-02-93		DATE : 08-02-93								A3	