

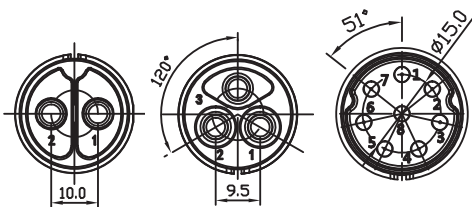
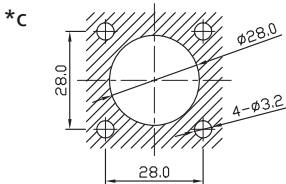
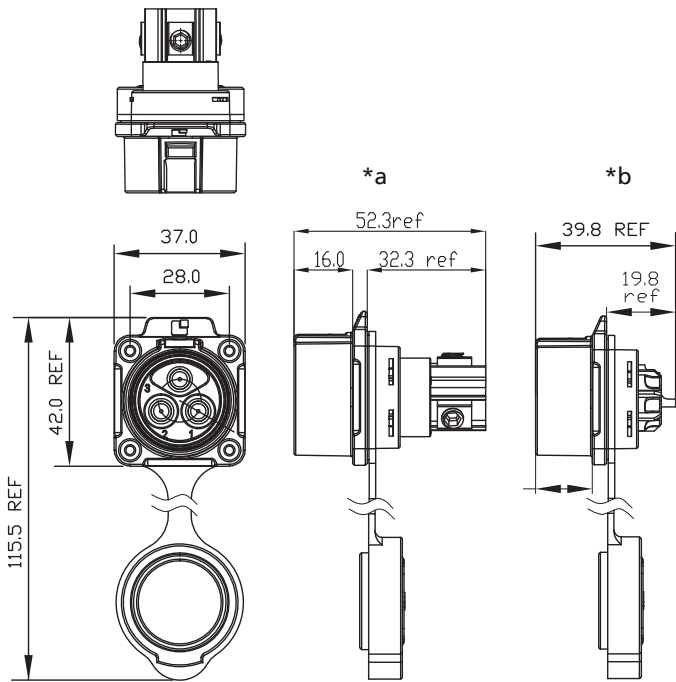
02 024028

Quicklock circular connectors, IP67



Quicklock flange chassis plug, IP67, size 28, straight version, with metal housing, screw clamps (8-pole version with solder terminals) and protecting cap (IP65)

02 024028



024028 02

024028 03

024028 08

*a 2 and 3 pole versions with screw clamps

*b 8 pole version with solder contacts

*c port

Environmental conditions

Temperature range -40 °C/+80 °C

Materials

Insulating body PBT, V-0 according to UL94
Contact pin CuZn, gold-plated
Housing Zn alloy, chrome-plated
Cap SI

Mechanical data

Protection class IP67 (protecting cap IP65)¹

¹ only in locked condition with an appropriate counterpart

Connectable conductors for screw clamp

Section 2.5–16.0 mm²/AWG 14–6 (2–3 poles)

Connectable conductors for solder area

Section 1.5–4.0 mm²/AWG 16–12 (8 poles)

Electrical data (at T_{amb} 20 °C)

Contact resistance ≤ 5 mΩ
Rated current 50 A (2 poles)
43 A (3 poles)
17 A (8 poles)
Rated voltage 500 V AC
Rated impulse voltage ≤ 2500 V
Creepage distance ≥ 2 mm
Clearance ≥ 2 mm
Insulation resistance > 500 MΩ

Associated products

Counterparts
☞ 026528

02 024028

Designation	Pole Number	PU (Pieces)	MDQ (Pieces)
024028 02	2	4	20
024028 03	3	4	20
024028 08	8	4	20

Packaging:

in individual plastic bags, in a cardboard box