

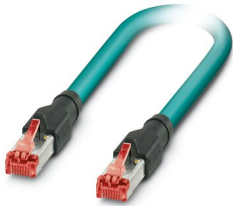
Network cable - NBC-R4AC/10,0-94Z/R4AC



1403934

<https://www.phoenixcontact.com/gb/products/1403934>

Please be informed that the data shown in this PDF document is generated from our Online Catalog. Please find the complete data in the user documentation. Our General Terms of Use for Downloads are valid.



Assembled Ethernet cable, shielded, 4-pair, 26 AWG stranded (7-wire), RAL 5021 (water blue), RJ45 plug/IP20 to RJ45 plug/IP20, line, length: 10 m

Commercial Data

Item number	1403934
Packing unit	1 pc
Minimum order quantity	1 pc
Sales Key	ABNAAR
Product Key	ABNAAR
Catalog Page	Page 386 (C-2-2019)
GTIN	4046356674010
Weight per Piece (including packing)	486.1 g
Weight per Piece (excluding packing)	450 g
Customs tariff number	85444210
Country of origin	CN

Network cable - NBC-R4AC/10,0-94Z/R4AC



1403934

<https://www.phoenixcontact.com/gb/products/1403934>

Technical Data

Product properties

Product type	Data cable preassembled
Number of positions	8
No. of cable outlets	1
Cable outlet	straight

Insulation characteristics

Degree of pollution	2
---------------------	---

Electrical properties

Rated voltage (III/3)	72 V (DC)
Transmission medium	Copper

Material specifications

Flammability rating according to UL 94	V2
--	----

Connector

Insertion/withdrawal cycles	≥ 750
-----------------------------	-------

Connection 1

Handle color	gray
Material	CuSn (Contact)
	Ni/Au (Contact surface)
	PC (Contact carriers)
	PA (Housing)
Insertion/withdrawal cycles	≥ 750
Degree of protection	IP20

Connection 2

Handle color	gray
Material	CuSn (Contact)
	Ni/Au (Contact surface)
	PC (Contact carriers)
	PA (Housing)
Insertion/withdrawal cycles	≥ 750

Cable / line

Cable length	10.00 m
--------------	---------

Ambient conditions

Degree of protection	IP20
Ambient temperature (operation)	-20 °C ... 70 °C (RJ45 connector)

Network cable - NBC-R4AC/10,0-94Z/R4AC

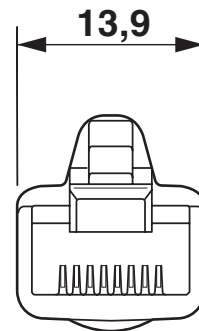
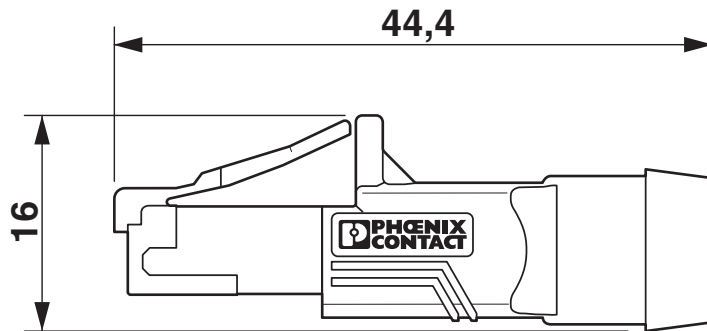


1403934

<https://www.phoenixcontact.com/gb/products/1403934>

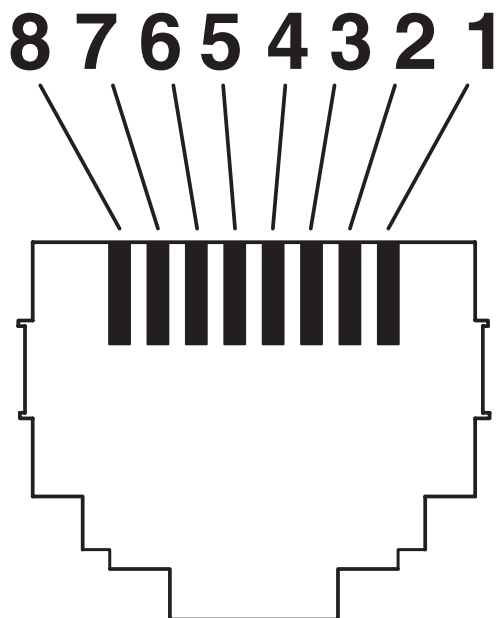
Drawings

Dimensional drawing



RJ45 connector, IP20

Schematic diagram



Connector pin assignment plug RJ45

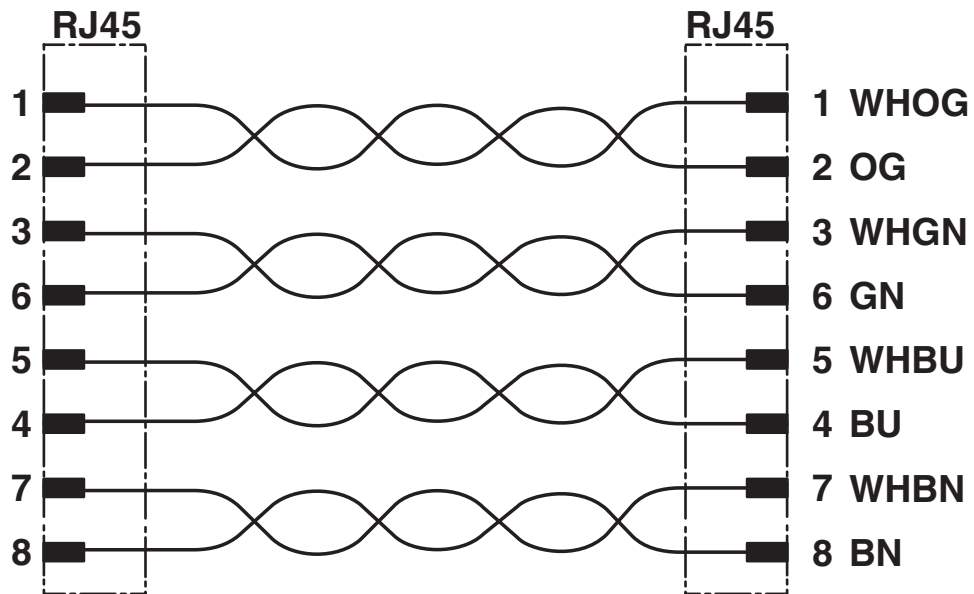
Network cable - NBC-R4AC/10,0-94Z/R4AC

1403934

<https://www.phoenixcontact.com/gb/products/1403934>



Circuit diagram



Network cable - NBC-R4AC/10,0-94Z/R4AC



1403934

<https://www.phoenixcontact.com/gb/products/1403934>

Approvals



EAC

Approval ID: 19060508



EAC

Approval ID: B.00385/20

Network cable - NBC-R4AC/10,0-94Z/R4AC



1403934

<https://www.phoenixcontact.com/gb/products/1403934>

Classifications

ECLASS

ECLASS-9.0	27060308
ECLASS-10.0.1	27060308
ECLASS-11.0	27060308

ETIM

ETIM 8.0	EC002599
----------	----------

UNSPSC

UNSPSC 21.0	26121600
-------------	----------

Network cable - NBC-R4AC/10,0-94Z/R4AC



1403934

<https://www.phoenixcontact.com/gb/products/1403934>

Environmental Product Compliance

China RoHS	Environmentally friendly use period: unlimited = EFUP-e No hazardous substances above threshold values
------------	---

Phoenix Contact 2022 © - all rights reserved
<https://www.phoenixcontact.com>

PHOENIX CONTACT Ltd
Halesfield 13, Telford
Shropshire, TF7 4PG
01952 681700
info@phoenixcontact.co.uk