

Electronic housing - UMK-BE 22,5 - 2970028

Please be informed that the data shown in this PDF Document is generated from our Online Catalog. Please find the complete data in the user's documentation. Our General Terms of Use for Downloads are valid (<http://phoenixcontact.com/download>)

Electronic board base, plug-in module base element




The figure shows a combination of versions UMK SE 11,25, UMK BE 11,25,- 22,5, -45 and UMK-FE

Your advantages

- ✓ The modules can be marked using the marking grooves in the lateral element as well as with the Phoenix Contact PMB module marker, which is snapped into a bore hole (4 mm Ø) in the PCB
- ✓ Fast assembly thanks to the plug-in module principle. The tight engagement of the individual elements ensures that they are securely connected.
- ✓ Wide range of options for external conductor connection
- ✓ Due to the universal foot, the modules can be snapped onto standard EN DIN rails
- ✓ The mounting flange supports direct wall mounting

Key Commercial Data

Packing unit	1 pc
Minimum order quantity	10 pc
GTIN	 4 017918 087555
GTIN	4017918087555
Weight per Piece (excluding packing)	10.060 g
Custom tariff number	85472000
Country of origin	Poland

Technical data

General

Housing type	Panel mounting base
--------------	---------------------

Electronic housing - UMK-BE 22,5 - 2970028

Technical data

General

Housing material	Polyamide
Color (RAL)	green

Ambient conditions

Ambient temperature (operation)	-40 °C ... 105 °C
---------------------------------	-------------------

Dimensions

Length	77 mm
Width	22.5 mm
Depth	77 mm

Standards and Regulations

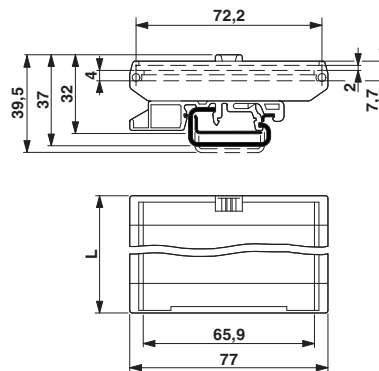
Flammability rating according to UL 94	V2
--	----

Environmental Product Compliance

China RoHS	Environmentally friendly use period: unlimited = EFUP-e
	No hazardous substances above threshold values

Drawings

Dimensional drawing



Classifications

eCl@ss

eCl@ss 10.0.1	27182701
eCl@ss 4.0	27180401
eCl@ss 4.1	27180401
eCl@ss 5.0	27180506
eCl@ss 5.1	27180500

Electronic housing - UMK-BE 22,5 - 2970028

Classifications

eCl@ss

eCl@ss 6.0	27180800
eCl@ss 7.0	27182701
eCl@ss 8.0	27182701
eCl@ss 9.0	27182701

ETIM

ETIM 2.0	EC001031
ETIM 3.0	EC001031
ETIM 4.0	EC001031
ETIM 5.0	EC002779
ETIM 6.0	EC002779

UNSPSC

UNSPSC 6.01	31261501
UNSPSC 7.0901	31261501
UNSPSC 11	31261501
UNSPSC 12.01	31261501
UNSPSC 13.2	31261501

Approvals

Approvals

Approvals

UL Recognized / EAC

Ex Approvals

Approval details

UL Recognized		http://database.ul.com/cgi-bin/XYV/template/LISEXT/1FRAME/index.htm	FILE E 240868
---------------	--	---	---------------

EAC		B.01742
-----	--	---------

Electronic housing - UMK-BE 22,5 - 2970028

Accessories

Accessories

Component housing lower part

Electronic housing - UMK-BE 45 - 2970015

Electronic board base, plug-in module base element



Electronic housing - UMK-BE 11,25 - 2971535

Electronic board base, plug-in module base element



Mounting material

Foot element - UMK-FE - 2970031

Foot element, for mounting on DIN rail NS 32 or DIN rail NS 35/7.5, can be inserted between base and side element



Mounting flange - UMK-BF - 2976077

Mounting flange, for mounting directly on the wall

