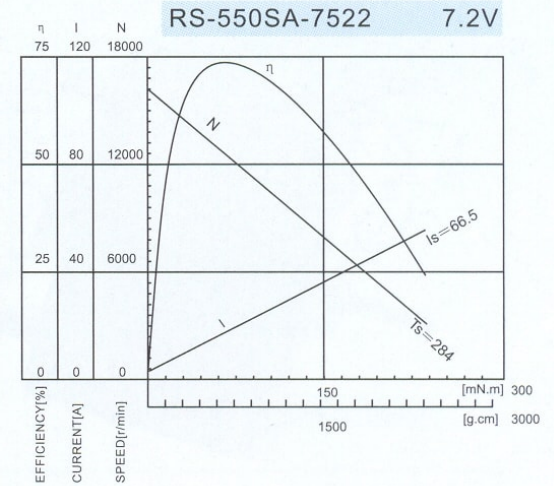


WEIGHT: 185g (APPROX)



RS-550/555SA

OUTPUT: APPROX 3.0W-70W

Carbon-brush Motors

Typical Applications/
Office Automation Equipments:

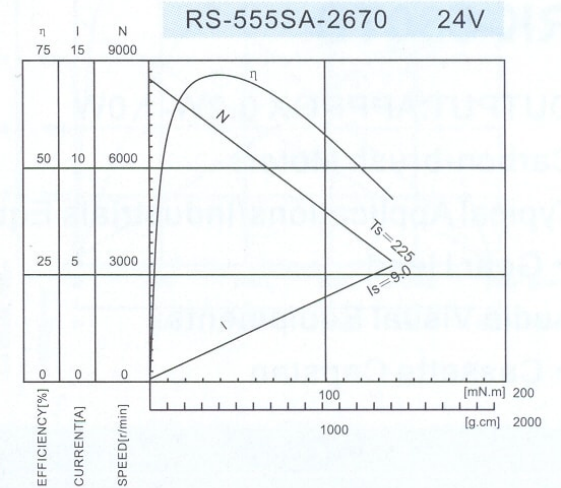
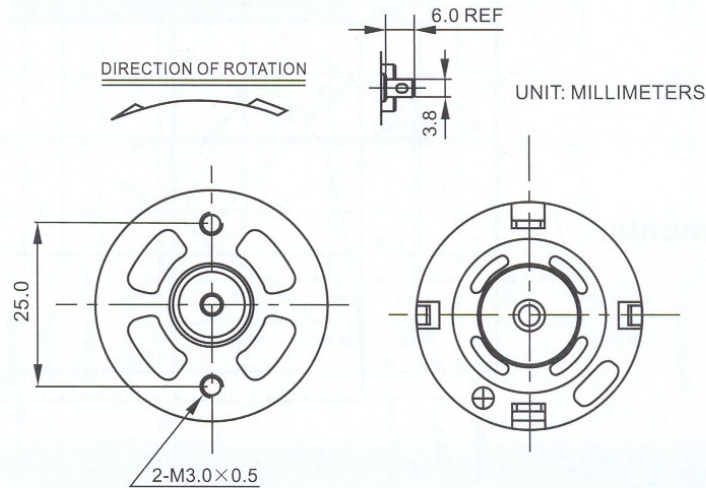
- Printer

Precision Instruments:

- Vending Machine

Automotive Products:

- Car Antenna



MODEL	VOLTAGE		NO LOAD		AT MAXIMUM EFFICIENCY				STARTING			
	OPERATING RANGE	NOMINAL	SPEED	CURRENT	SPEED	CURRENT	TORQUE		OUTPUT	TORQUE		CURRENT
			r/min	A	r/min	A	mN.m	g.cm	W	mN.m	g.cm	A
RS-550SA-7522	3.6~9.6	7.2V	15800	1.80	13500	10.9	40.2	410	66.4	284	2900	66.5
RS-555SA-2670	9.6~30	24V	8500	0.18	7400	1.27	27.9	285	21.6	225	2300	9.0