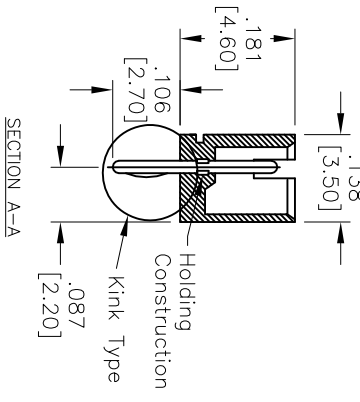
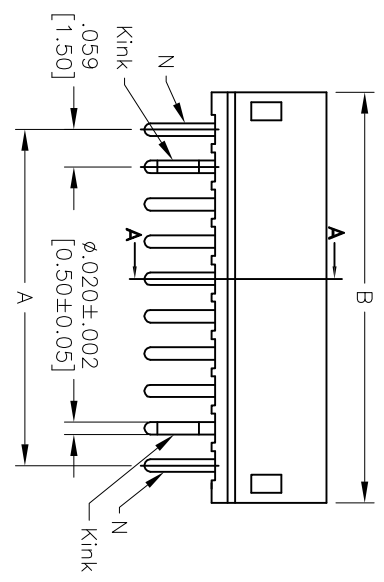
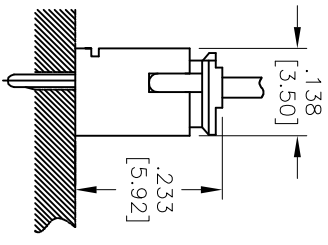
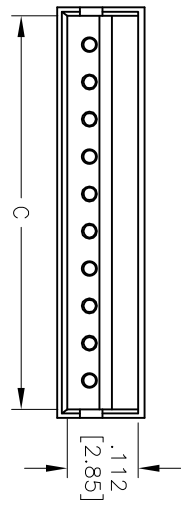
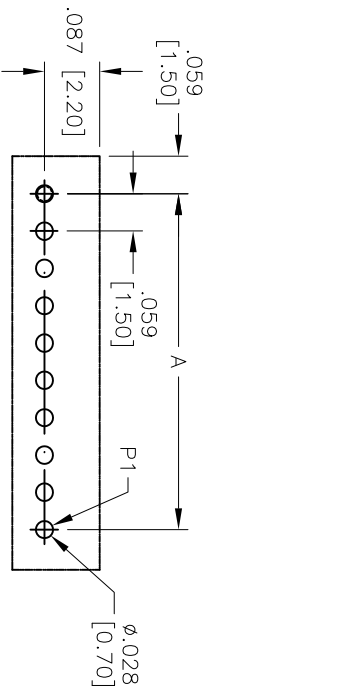


APPROVED: \_\_\_\_\_  
 DATE: \_\_\_\_\_ TITLE: \_\_\_\_\_

Rev	AWO #	Description	Date	Appr
-		RELEASED	8/14/09	
A		ADDED DIM.	4/6/11	
B		ADDED CONTACTS TOLERANCES	11/5/15	AV/RT
C		UPDATE DRAWING	5/16/18	AV/IMY



Kink		Circuit No.					
Circuit		1	2	3	4	5	6~13
2	Kink	—	—	—	—	—	—
3	Kink	—	—	—	—	—	—
4	Kink	—	—	—	—	—	—
5~13	N	—	—	—	—	—	—

**SPECIFICATIONS:**

**Material:**  
 Insulator: Nylon 66, rated UL 94V-0

Insulator color: Beige  
 Contacts: Brass

**Plating:**  
 Tin over Nickel underplate overall

**Electrical:**  
 Voltage rating: 50 V AC/DC  
 Current rating: 1 A AC/DC

Contact resistance: 20 mohms max  
 Insulation resistance: 500 Mohms min

Dielectric withstanding voltage: 500 VAC for 1 minute

**Operating Ratings:**  
 Temperature: -25°C to +85°C

**Environmental:**  
 Lead free, RoHS compliant.

Positions: 2 thru 13  
 A=.059 [1.50] X No. of Spaces  
 B=.059 [1.50] X No. of Positions + .059 [1.50]  
 C=.059 [1.50] X No. of Positions + .024 [0.60]

UNLESS OTHERWISE SPECIFIED  
 ALL DIMENSIONS ARE IN INCHES [MM]  
 TOLERANCES: EXCEPT AS NOTED

INCHES	HOLDERS
.X ± .10	ØX ± .10
.XX ± .020	ØXX ± .015
.XXX ± .015	ØXXX ± .010

APPROVALS	DATE
DRAWN	8/14/09
CHECKED	
APPROVED	

**ADAM TECH**  
 INTERCONNECTS  
 909 Railway Avenue,  
 Union, NJ 07083  
 Phone: 908-687-5000  
 Fax: 908-687-5710

TITLE  
 .059 [1.50] VERTICAL HEADER

SIZE	PART NO.	REV.
X	15SH-A-XX-TS	C
REF: S00124T	SCALE: NTS	SHEET 1 OF 1

