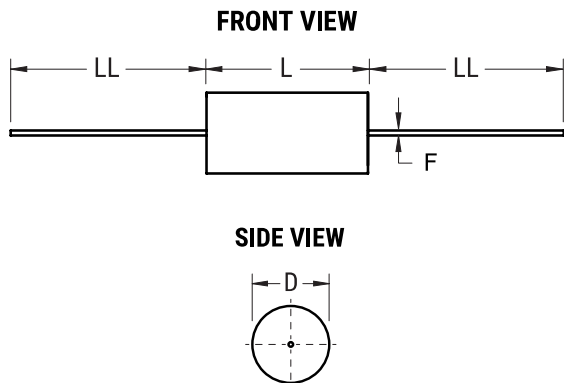


C4C, Film, Metallized Polypropylene, Power, 0.022 uF, 5%, 750 VAC, 3000 VDC, 70°C



| Dimensions | |
|------------|-------------|
| D | 17mm NOM |
| L | 33mm NOM |
| LL | 40mm +/-5mm |
| F | 1mm NOM |

| Packaging Specifications | |
|--------------------------|-----------|
| Packaging: | Bulk, Bag |
| Packaging Quantity: | 150 |

| General Information | |
|---------------------|-----------------------------------|
| Supplier: | KEMET |
| Series: | C4C |
| Dielectric: | Metallized Polypropylene |
| Style: | Axial |
| RoHS: | Yes |
| Lead: | Wire Leads |
| Miscellaneous: | Polyester Tape & Resin Protection |

| Specifications | |
|------------------------|-------------------------------------|
| Capacitance: | 0.022 uF |
| Capacitance Tolerance: | 5% |
| Voltage AC: | 750 VAC |
| Voltage DC: | 3000 VDC |
| Temperature Range: | -40/+85C |
| Rated Temperature: | 70°C |
| Dissipation Factor: | 0.05% |
| Max dV/dt: | 2100 V/us |
| Resistance: | 41.6 mOhms (100kHz) |
| Ripple Current: | 5 Amps (100kHz 70C), 46 Amps (Peak) |

Statements of suitability for certain applications are based on our knowledge of typical operating conditions for such applications, but are not intended to constitute - and we specifically disclaim - any warranty concerning suitability for a specific customer application or use. This Information is intended for use only by customers who have the requisite experience and capability to determine the correct products for their application. Any technical advice inferred from this Information or otherwise provided by us with reference to the use of our products is given gratis, and we assume no obligation or liability for the advice given or results obtained.