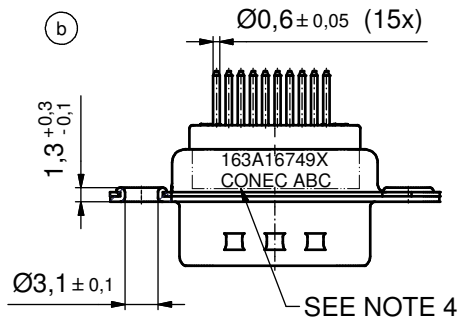
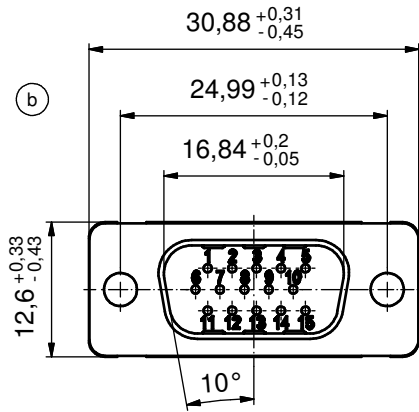
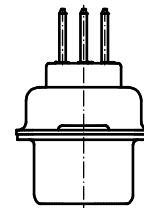
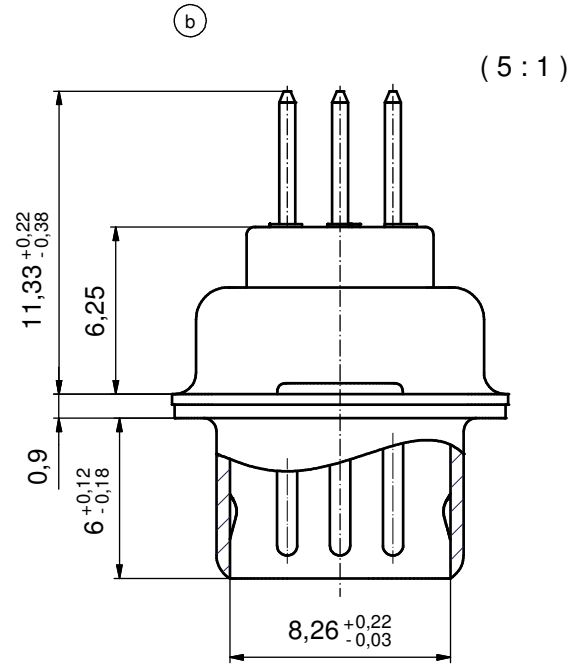


P.C.B. HOLE DRILLINGS
(P.C.B. TOP SIDE)

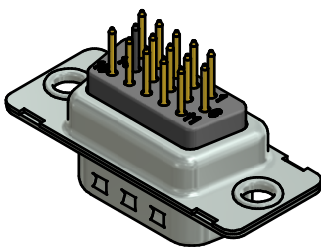


SEE NOTE 4



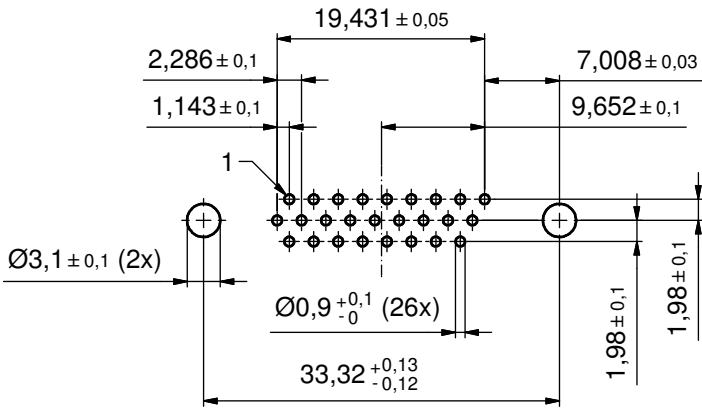
NOTES:

1. METALSHELLS: STEEL; min. 315µin TIN over 40-80µin NICKEL
2. INSULATORS: PBT GF UL 94 V-0; BLACK
3. CONTACTS: COPPER ALLOY
PLATING: GOLD FLASH over NICKEL
4. CONNECTOR IS PART MARKED: **163A16749X CONEC ABC**

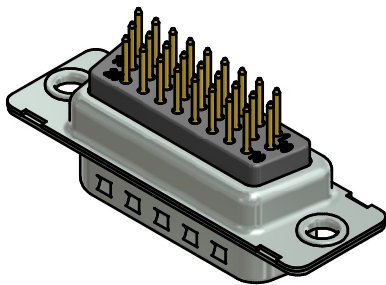
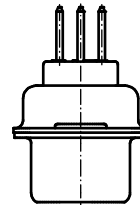
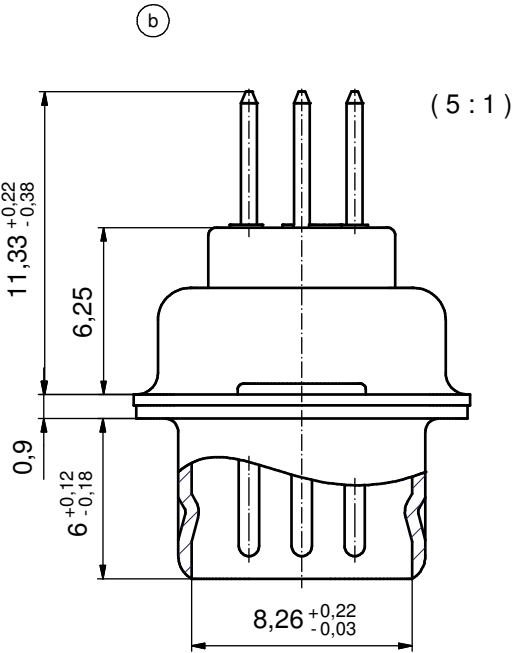
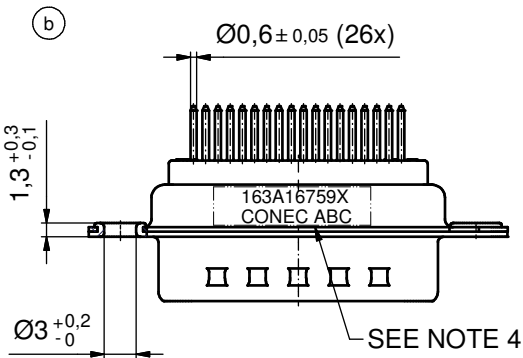
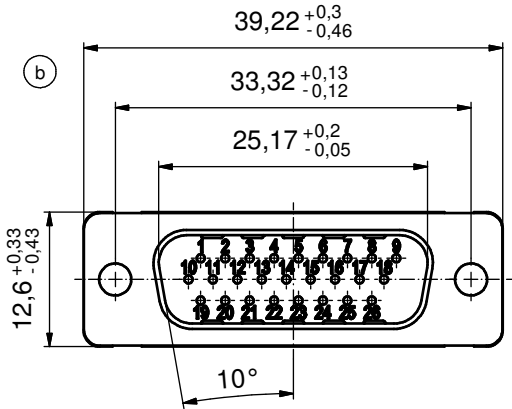


Directive 2002/95/EC RoHS compliant

THIS DRAWING MAY NOT BE COPIED OR REPRODUCED IN ANY WAY, AND MAY NOT BE PASSED ON TO A THIRD PARTY WITHOUT WRITTEN PERMISSION. OWNERSHIP AND COPYRIGHT OF CONEC GmbH DO NOT ALTER CAD DRAWING BY HAND	tolerance		dim. in mm		scale:	2:1 (5:1)			
					material:	SEE NOTES			
			date	name		title:			
			drawn	10.04.2002	Perei		D-SUB HD MALE 15pos. SOLDER PIN STRAIGHT		
			appd.	10.04.2002	Mickenbecker				
		norm			dwg no:				
		d-old			16K1A542			DIN-A3	
4 x b		A4102	14.09.2011	K.H.		sh: 1/6			
a		Original			part no:			163A16749X	
rev.	description	date	name						



P.C.B. HOLE DRILLINGS
(P.C.B. TOP SIDE)

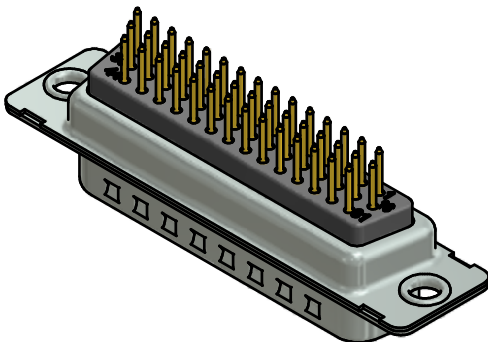
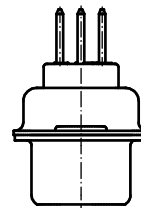
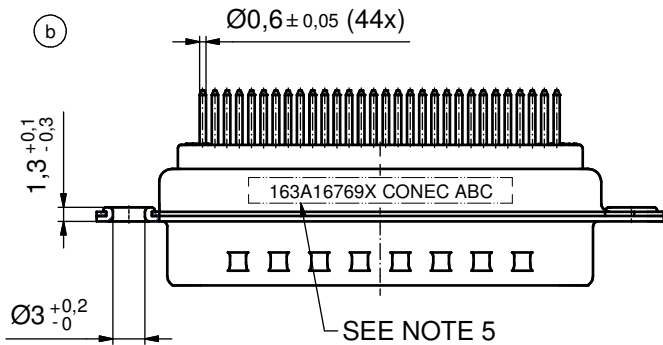
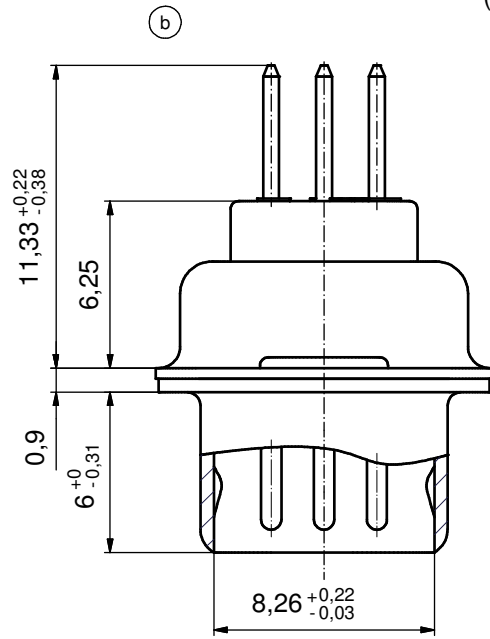
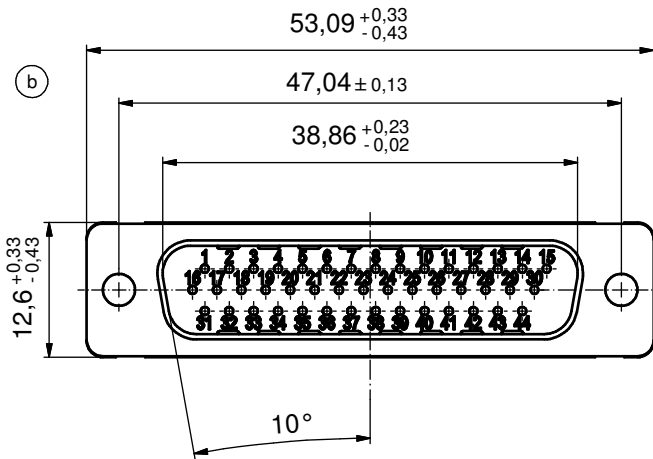


- (b) **NOTES:**
1. METALSHELLS: STEEL; min. 315µin TIN over 40-80µin NICKEL
 2. INSULATORS: PBT GF UL 94 V-0; BLACK
 3. CONTACTS: COPPER ALLOY
PLATING: GOLD FLASH over NICKEL
 4. CONNECTOR IS PART MARKED: 163A16759X CONEC ABC

Directive 2002/95/EC RoHS compliant

THIS DRAWING MAY NOT BE COPIED OR REPRODUCED IN ANY WAY, AND MAY NOT BE PASSED ON TO A THIRD PARTY WITHOUT WRITTEN PERMISSION. OWNERSHIP AND COPYRIGHT OF CONEC GmbH DO NOT ALTER CAD DRAWING BY HAND				tolerance		dim. in mm	scale: 2:1 (5:1)		
				date			material: SEE NOTES		
				name		title: D-SUB HD MALE 26pos. SOLDER PIN STRAIGHT			
		drawn 10.04.2002		Perei					
		appd. 10.04.2002		Mickenbecker					
				norm		dwg no: 16K1A542			
				d-old					
4 x b		A4102		14.09.2011		K.H.		DIN-A3	
a		Original						sh: 2/6	
rev.		description		date		name		part no: 163A16759X	
				CONEC ®					

(5:1)



NOTES:

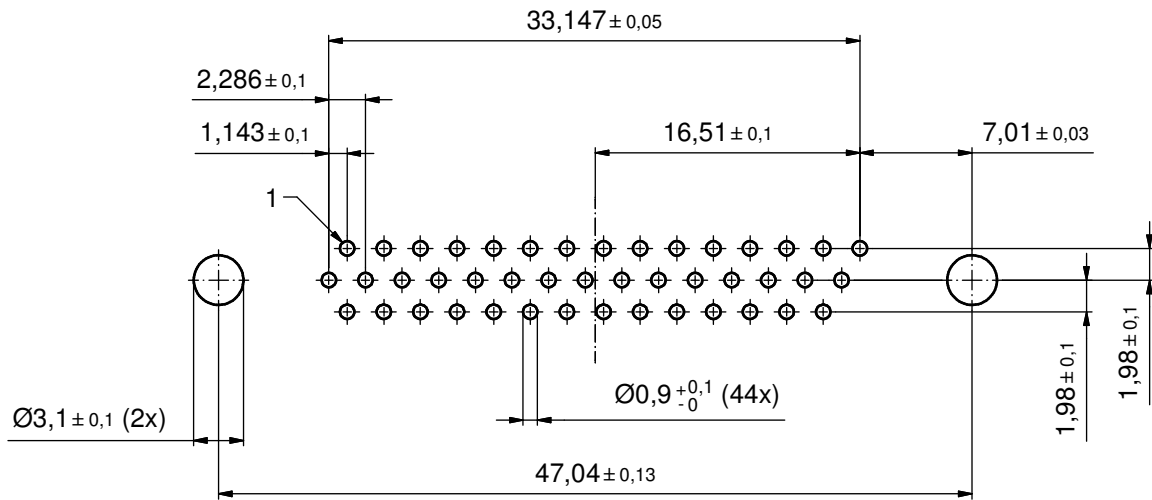
1. METALSHELLS: STEEL; min. 315µm TIN over 40-80µm NICKEL
2. INSULATORS: PBT GF UL 94 V-0; BLACK
3. CONTACTS: COPPER ALLOY
PLATING: GOLD FLASH over NICKEL
4. P.C.B. HOLE DRILLINGS ON SHEET 4
5. CONNECTOR IS PART MARKED: **163A16769X CONEC ABC**

Directive 2002/95/EC RoHS compliant

THIS DRAWING MAY NOT BE COPIED OR REPRODUCED IN ANY WAY, AND MAY NOT BE PASSED ON TO A THIRD PARTY WITHOUT WRITTEN PERMISSION. OWNERSHIP AND COPYRIGHT OF CONEC GmbH DO NOT ALTER CAD DRAWING BY HAND				tolerance		scale: 2:1 (5:1)
				date	name	material: SEE NOTES
				drawn	10.04.2002	Perei
				appd.	10.04.2002	Mickenbecker
				norm		
			d-old			
			4 x b	A4102	14.09.2011	K.H.
			a	Original		
			rev.	description	date	name
			CONEC [®]			title: D-SUB HD MALE 44pos. SOLDER PIN STRAIGHT
						dwg no: 16K1A542
						part no: 163A16769X

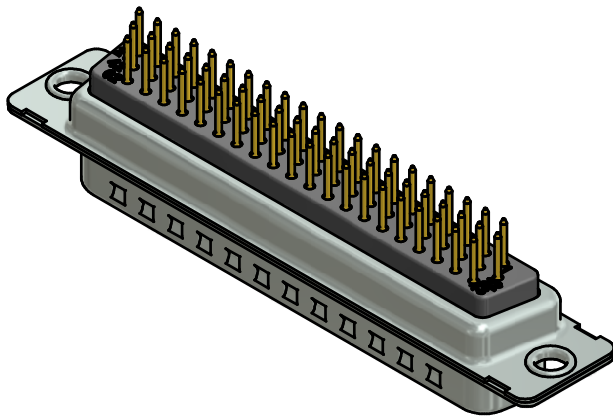
P.C.B. HOLE DRILLINGS

(P.C.B. TOP SIDE)



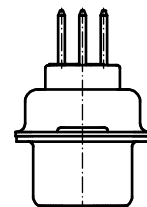
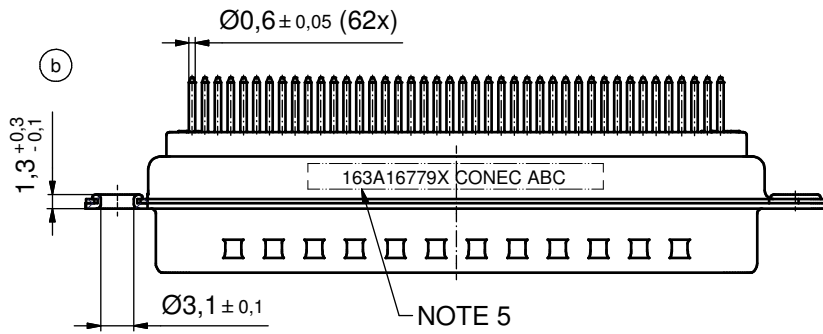
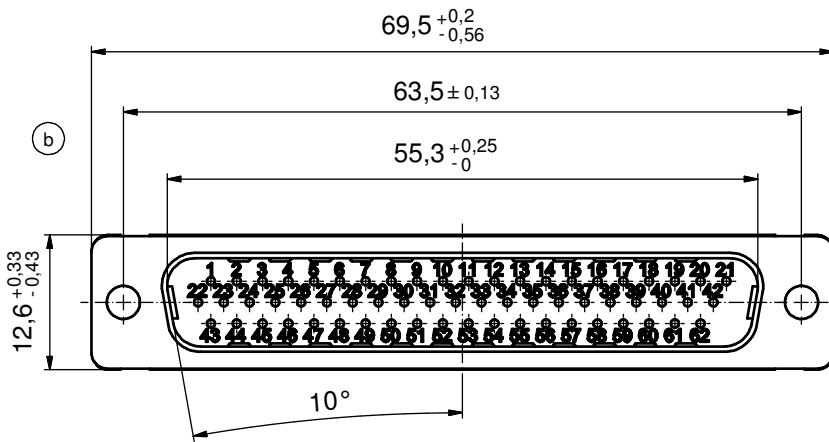
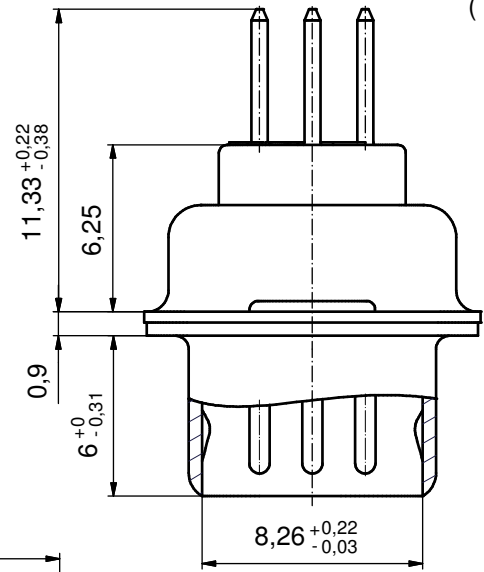
Directive 2002/95/EC RoHS compliant

THIS DRAWING MAY NOT BE COPIED OR REPRODUCED IN ANY WAY, AND MAY NOT BE PASSED ON TO A THIRD PARTY WITHOUT WRITTEN PERMISSION. OWNERSHIP AND COPYRIGHT OF CONEC GmbH DO NOT ALTER CAD DRAWING BY HAND					tolerance	 dim. in mm	scale: 2:1	
					date		name	material: SEE SHEET3
					drawn	10.04.2002	Perei	title: P.C.B. HOLE DRILLINGS D-SUB HD MALE 44pos.
					appd.	10.04.2002	Mickenbecker	
					norm			
					d-old			dwg no:
	a	Original						16K1A542
rev.	description	date	name	part no: SEE SHEET3				sh: 4/6



(b)

(5:1)



(b) NOTES:

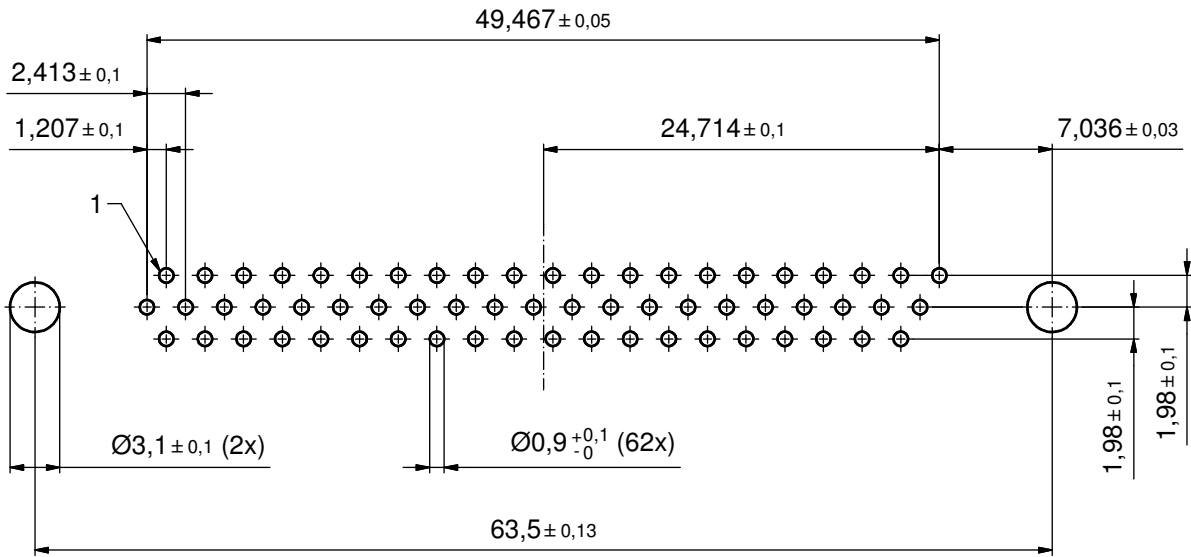
- METALSHHELLS: STEEL; min. 315µm TIN over 40-80µm NICKEL
- INSULATORS: PBT GF UL 94 V-0; BLACK
- CONTACTS: COPPER ALLOY
PLATING: GOLD FLASH over NICKEL
- P.C.B. HOLE DRILLINGS ON SHEET 6
- CONNECTOR IS PART MARKED: 163A16779X CONEC ABC

Directive 2002/95/EC RoHS compliant



THIS DRAWING MAY NOT BE COPIED OR REPRODUCED IN ANY WAY, AND MAY NOT BE PASSED ON TO A THIRD PARTY WITHOUT WRITTEN PERMISSION. OWNERSHIP AND COPYRIGHT OF CONEC GmbH DO NOT ALTER CAD DRAWING BY HAND				tolerance	dim. in mm	scale: 2:1 (5:1)	
				date		name	material: SEE NOTES
				drawn	10.04.2002	Perei	title: D-SUB HD MALE 62pos. SOLDER PIN STRAIGHT
				appd.	10.04.2002	Mickenbecker	
				norm			
			d-old			dwg no:	
4 x b	A4102	14.09.2011	K.H.			16K1A542	DIN-A3
a	Original					part no:	163A16779X

P.C.B. HOLE DRILLINGS

(P.C.B. TOP SIDE)



Directive 2002/95/EC RoHS compliant

THIS DRAWING MAY NOT BE COPIED OR REPRODUCED IN ANY WAY, AND MAY NOT BE PASSED ON TO A THIRD PARTY WITHOUT WRITTEN PERMISSION. OWNERSHIP AND COPYRIGHT OF CONEC GmbH DO NOT ALTER CAD DRAWING BY HAND				tolerance	 dim. in mm	scale: 2:1	
				date		name	material: SEE SHEET 5
				drawn	10.04.2002	Perei	title: P.C.B. HOLE DRILLINGS D-SUB HD Male 62pos.
				appd.	10.04.2002	Mickenbecker	
				norm			
			d-old			dwg no: 16K1A542	
	a	Original				DIN-A3 sh: 6/6	
rev.	description	date				name	part no: SEE SHEET 5

Mouser Electronics

Authorized Distributor

Click to View Pricing, Inventory, Delivery & Lifecycle Information:

[Amphenol:](#)

[163A16759X](#) [163A16779X](#)