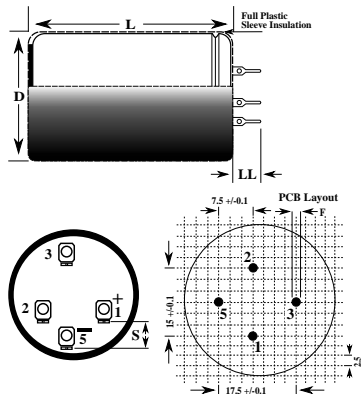


KEMET Part Number: ALP20A472CB040 Not for New Design
(A621EG472Q040AV538)

ALP20, Aluminum Electrolytic, 4,700 uF, -10/+30%, 40 VDC, -40/+85°C



Dimensions	
D	35mm +/-1mm
L	45mm +/-2mm
S	7.5mm +/-0.1mm
LL	7.5mm +/-0.5mm
F	1.3mm

Packaging Specifications	
Weight:	65 g
Sleeving:	Yes
Packaging:	Bulk, Bag

General Information	
Supplier:	KEMET
Series:	ALP20
Dielectric:	Aluminum Electrolytic
Description:	Solder Pin, Aluminum Electrolytic
Features:	Solder Pin
RoHS:	Yes
Lead:	4 Pin Solder
AEC-Q200:	No
Notes:	Dimensions D And L Include Sleeving
Shelf Life:	156 Weeks

Specifications	
Capacitance:	4,700 uF
Capacitance Tolerance:	-10/+30%
Voltage DC:	40 VDC, 46 VDC (Surge)
Temperature Range:	-40/+85°C
Rated Temperature:	85°C
Life:	18000 Hrs
Leakage Current:	1128 uA (5min 20°C)