

**Professionally approved products.  
Datasheet**

## **Female D-Sub Connector Coaxial Contact**

RS Stock number 251-598

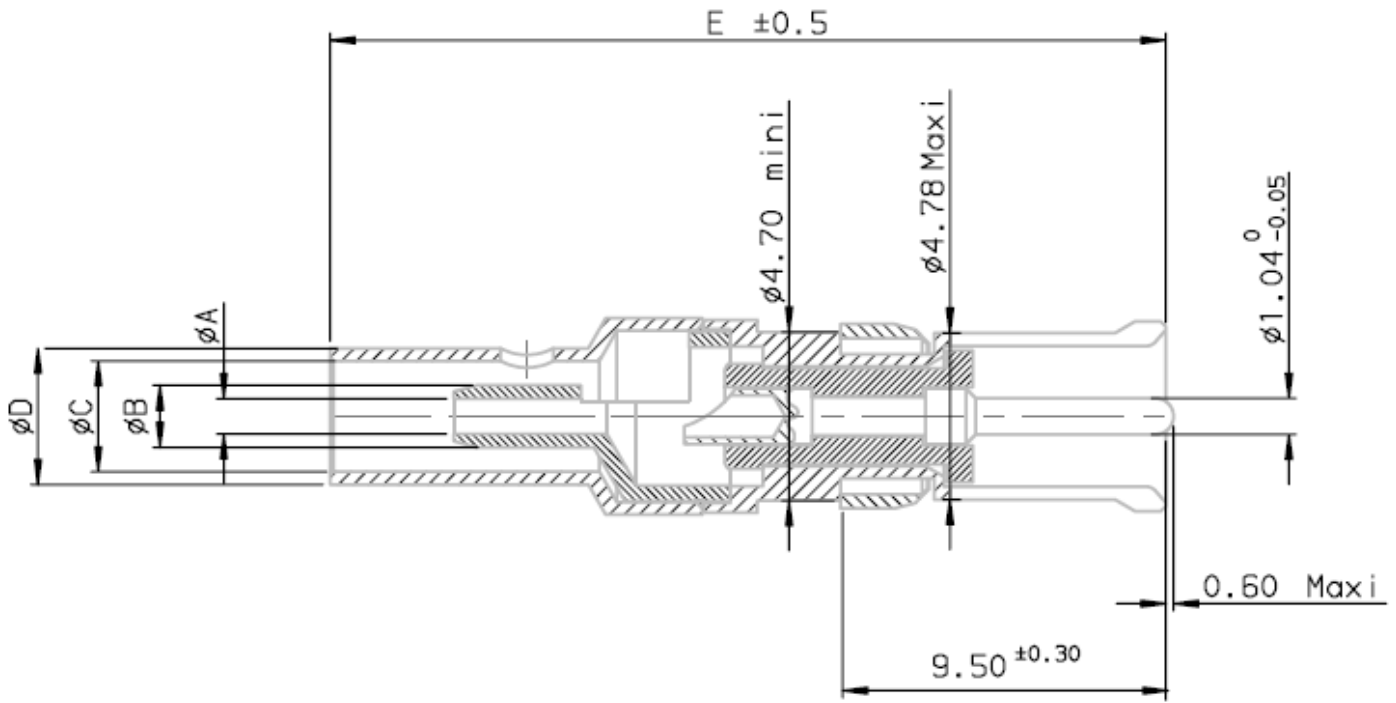


### **Specifications:**

- Impedance: 50 OHMS
- Working frequency: 1GHz max
- Dielectric with standing voltage: 600V
- Insulation resistance 5000: 14 OHMS
- Contact resistance  $\leq 5 \text{ m OHMS}$
- Insertion loss:  $\leq 0.2 \text{ dB}$
- Mating force per set of contact 0.4 N to 9 N
- Mating endurance 500
- Temperature  $-55^\circ$  to  $+125^\circ \text{ }^\circ\text{C}$

## Professionally approved products. Datasheet

Dimensions – mm:



Ct coax femelle sortie droite	1.00	1.75	2.32	3.20	22.30	RG178BU
Ct coax femelle sortie droite	2.75	4.00	5.09	5.95	26.80	RG180BU
Ct coax femelle sortie droite	3.15	4.00	5.09	5.95	26.80	RG 58CU
Ct coax femelle sortie droite	0.98	1.77	2.30	3.22	24.10	RG 178BU
Ct coax femelle sortie droite	1.70	2.46	3.13	3.84	24.10	RG 316U
Designation	$\phi A \begin{smallmatrix} +0.10 \\ 0 \end{smallmatrix}$	$\phi B \begin{smallmatrix} +0.05 \\ 0 \end{smallmatrix}$	$\phi C \begin{smallmatrix} +0.10 \\ 0 \end{smallmatrix}$	$\phi D \begin{smallmatrix} +0.10 \\ 0 \end{smallmatrix}$	E	Ref cable