

Suited for IP67 (wet) environments, the SGD provides a user-selectable 4-20mA or 0-10VDC absolute linear position signal over an 80-inch or 120-inch full stroke range option. Signal selection is simply made by connecting the appropriate pins on the included connector or selecting the proper wires in the optional cordset.

Additionally, this sensor is constructed with a rugged polycarbonate body, an extremely durable spring-loaded stainless steel measuring cable and a mounting bracket that lets the customer mount this sensor in just about any direction. The SGD is in stock for quick delivery.

Customized options are also available for OEM customers.

SGD

Cable Actuated Sensor 4..20mA • 0..10 Vdc Output Signal

Compact Mid-Range String Pot • Absolute Position

80, 120-inch Stroke Range Options

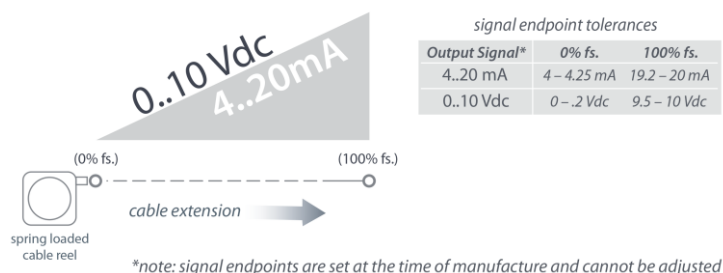
Polycarbonate Enclosure • IP67

In Stock for Quick Delivery

Specifications

Stroke Range	80 inches (2032 mm), 120 inches (3048 mm)
User Selectable Output Signal	4...20 mA (2-wire) / 0...10 Vdc
Input Voltage, 4...20 mA option	8-40 VDC
Input Voltage, 0...10 Vdc option	12-32 VDC
Accuracy	.35% FS.
Repeatability	.05% FS.
Resolution	essentially infinite
Measuring Cable	.019-inch dia. nylon-coated stainless steel
Maximum Acceleration	10 g
Measuring Cable Tension	9 oz. (2,5 N) ±30%
Sensor	plastic-hybrid precision potentiometer
Cycle Life	≥ 250,000
Electrical Connection	M12 connector (mating plug included)
Enclosure	glass-filled polycarbonate
Environmental	IP 67
Operating Temperature	0° to 160° F (-18° to 70° C)
Weight, 80-inch (not including bracket)	.6 lbs. (272 g)
Weight, 120-inch (not including bracket)	1 lb. (453 g)

Output Signal



SGD

4...20mA • 0..10 Vdc Output Signal

Electrical Connection

Output Signals

0...10 Vdc	4...20 mA	pin	pin - colorcode
12...32 Vdc	8...40 Vdc	1	1 - brown
0...10 Vdc	n/c	2	2 - white
n/c	n/c	3	3 - blue
common	4...20 mA	4	4 - black

field installable connector (included)

contact view: 1, 2, 3, 4

2.4" [60mm]

customer supplied electrical cable, (.25 in [6 mm] max. dia.)

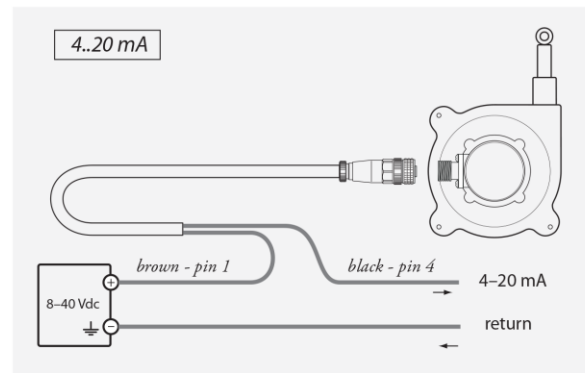
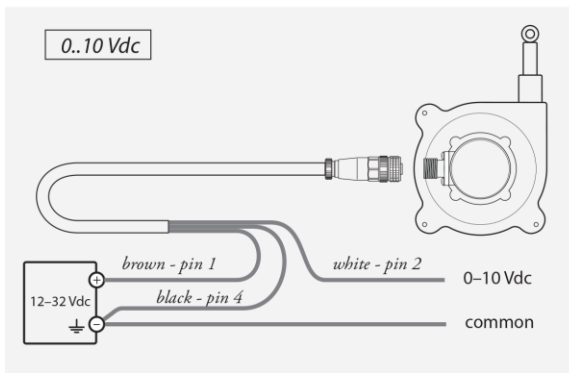
cordset, part no. 9036810-0040 (optional)

contact view: 1, 2, 3, 4

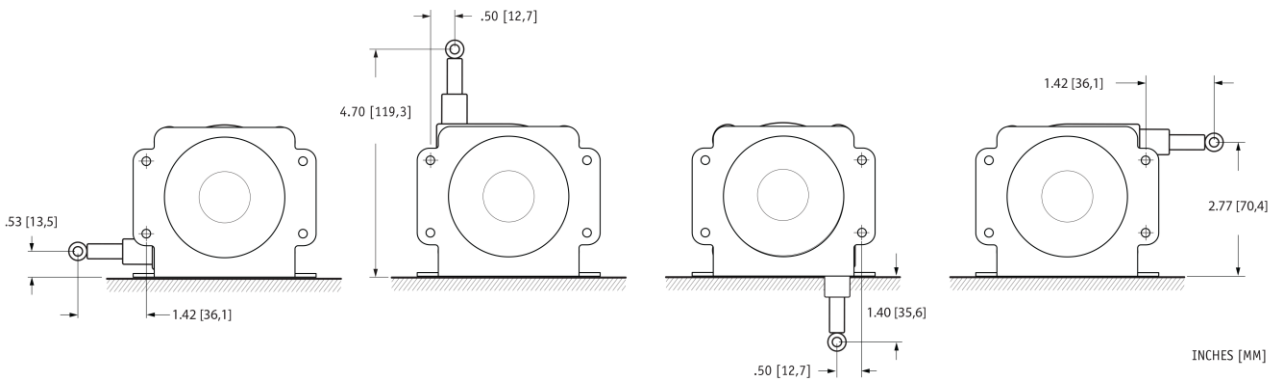
1.7" [45 mm]

22 AWG (.34mm²)

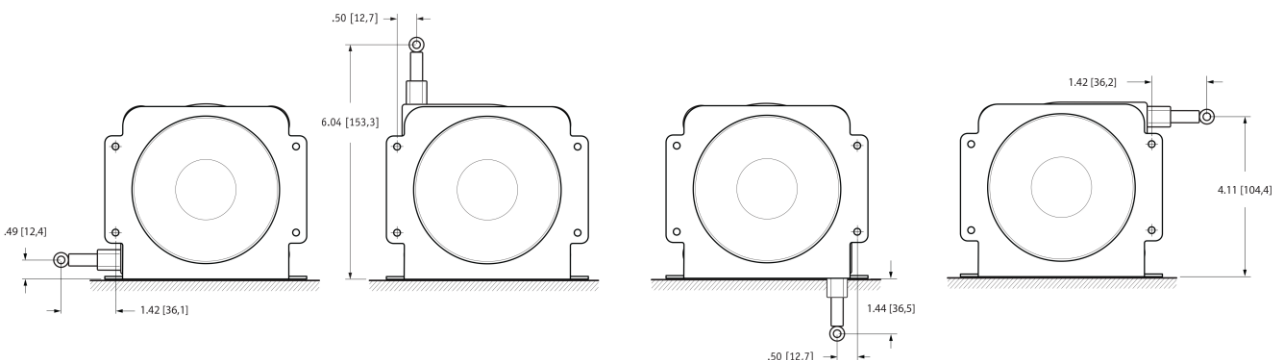
13.6 ft. [4 M]



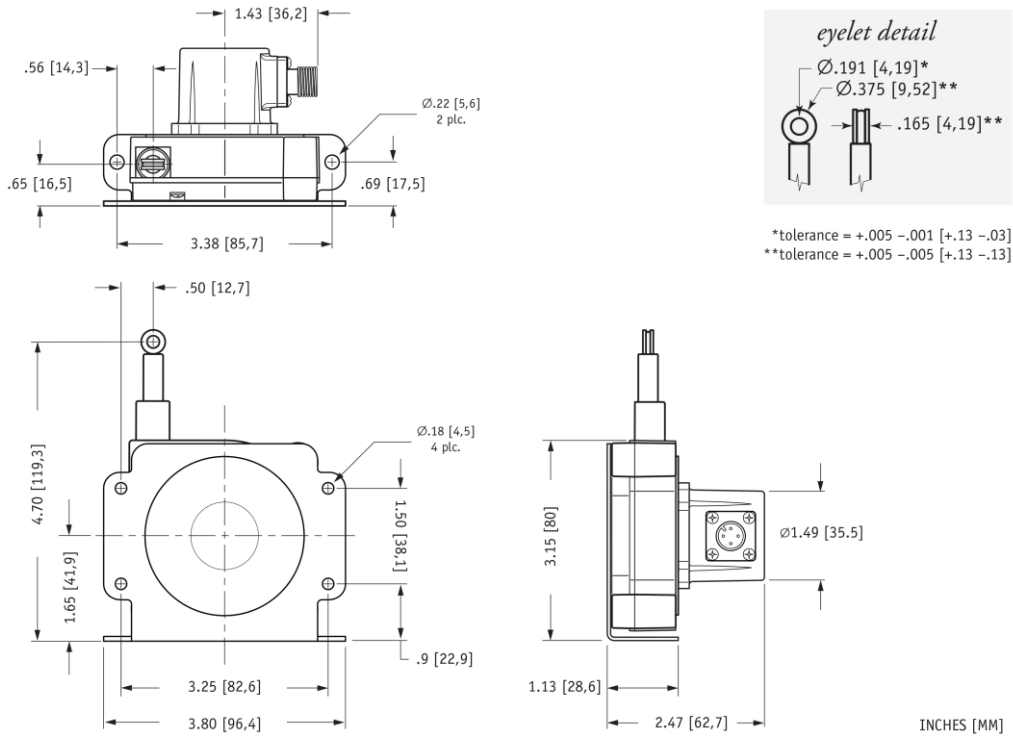
Mounting Options (SGD-80-3):



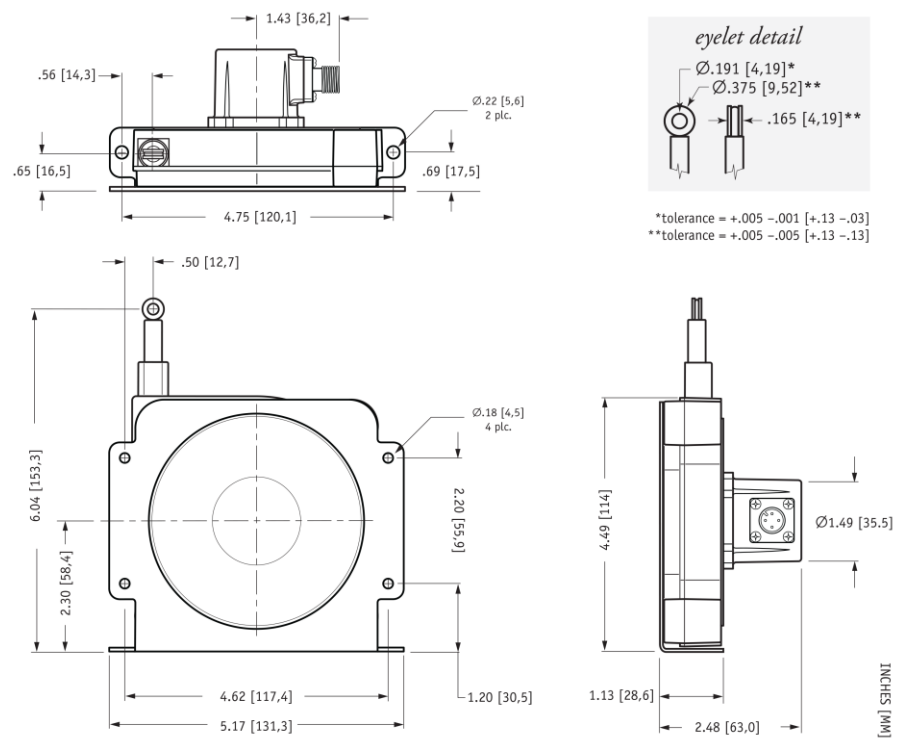
Mounting Options (SGD-120-3):



SGD-80-3 w/ Mounting Bracket



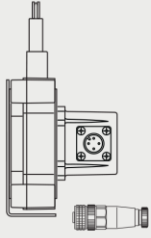
SGD-120-3 w/ Mounting Bracket



SGD

4..20mA • 0..10 Vdc Output Signal

Ordering Information



Part No.

SGD-80-3

80-inch stroke range,
4–20 mA / 0–10 Vdc output
M12 connector,
IP67 environments,
mounting bracket included

Part No.

SGD-120-3

120-inch stroke range,
4–20 mA / 0–10 Vdc output
M12 connector,
IP67 environments,
mounting bracket included



4-pin M12 connector
13 ft (4 m)
22 AWG (.34mm²)

Optional Cordset

Part No.

9036810-0040

for short-run connections, a convenient optional 13-ft. cordset with a 4-pin M12 connector is available for the SGD-80-3 and SGD-120-3.

NORTH AMERICA

Measurement Specialties, Inc.,
a TE Connectivity company
20630 Plummer Street
Chatsworth, CA 91311
Tel +1 800 423 5483
Tel +1 818 701 2750
Fax +1 818 701 2799
info@celesco.com

TE.com/sensorsolutions

Measurement Specialties, Inc., a TE Connectivity company.

Measurement Specialties, TE Connectivity, TE Connectivity (logo) and EVERY CONNECTION COUNTS are trademarks. All other logos, products and/or company names referred to herein might be trademarks of their respective owners.

The information given herein, including drawings, illustrations and schematics which are intended for illustration purposes only, is believed to be reliable. However, TE Connectivity makes no warranties as to its accuracy or completeness and disclaims any liability in connection with its use. TE Connectivity's obligations shall only be as set forth in TE Connectivity's Standard Terms and Conditions of Sale for this product and in no case will TE Connectivity be liable for any incidental, indirect or consequential damages arising out of the sale, resale, use or misuse of the product. Users of TE Connectivity products should make their own evaluation to determine the suitability of each such product for the specific application.

© 2015 TE Connectivity Ltd. family of companies All Rights Reserved.

SGD 12/01/2015

Mouser Electronics

Authorized Distributor

Click to View Pricing, Inventory, Delivery & Lifecycle Information:

[TE Connectivity:](#)

[SGD-120-3](#) [SGD-80-3](#)