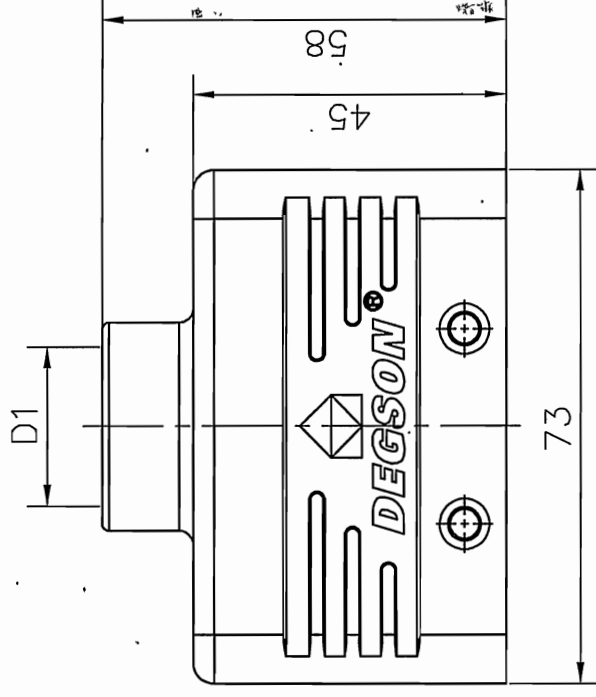
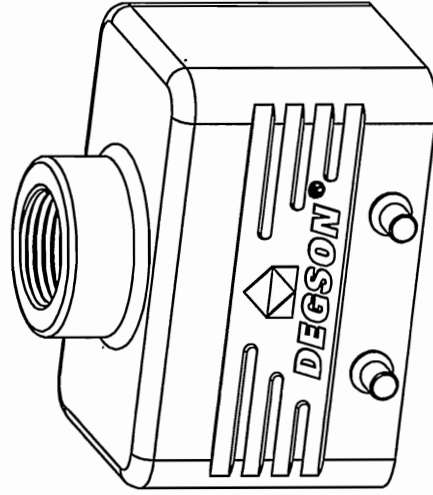


TYPE	Thread(D1)	Selection
D10B-TE-4g-M20	M20	
D10B-TE-4g-M25	M25	
D10B-TE-4g-PG16	PG16	

REVISION RECORD				
REV	ECN	DESCRIPTION	DRFT	DATE



Hoods Feature

1. Material: aluminium die-cast
2. Surface: Powder-coated
3. Color: grey (RAL 7037)
4. Limiting temperature: -40°C ~ +125°C
5. Flammability acc to UL94:V0
6. Degree of protection acc.to EN60529 for coupled connector :IP65
7. Rohs compliance

PART NO:	/	NINGBO DEGSON ELECTRICAL CO., LTD
APPD:	HYS 2017-7-4	NAME: D10B-TE-4g-M/PG
CHKD:	CHK 2017.7.7	TITLE: CUSTOMER DRAWING
DRFT:	Mr.yang 2017/06/28	DRAWING NO.:
THIRD ANGLE PROJECTION		DO NOT SCALE DRAWING
MM (INCH)		SCALE
1		2
3		4
5		6
7		8