

USB C Female SMT Connector With Spring and Without Spring



**RoHS
Compliant**



Specifications:

Mechanical

Insertion Force : 5N to 20N
 Withdrawal Force : 8N to 20N
 After 10,000 cycles mating : 2N Min.

Electrical

Applied current (requirement)

VBUS Pin, 5A
 GND Pin, 6.25A
 VConn Pin, 1.25A
 Other Contacts, 0.25A

Voltage Rating : 30V AC (rms)

Withstanding Voltage : 100V AC for 1 minute.

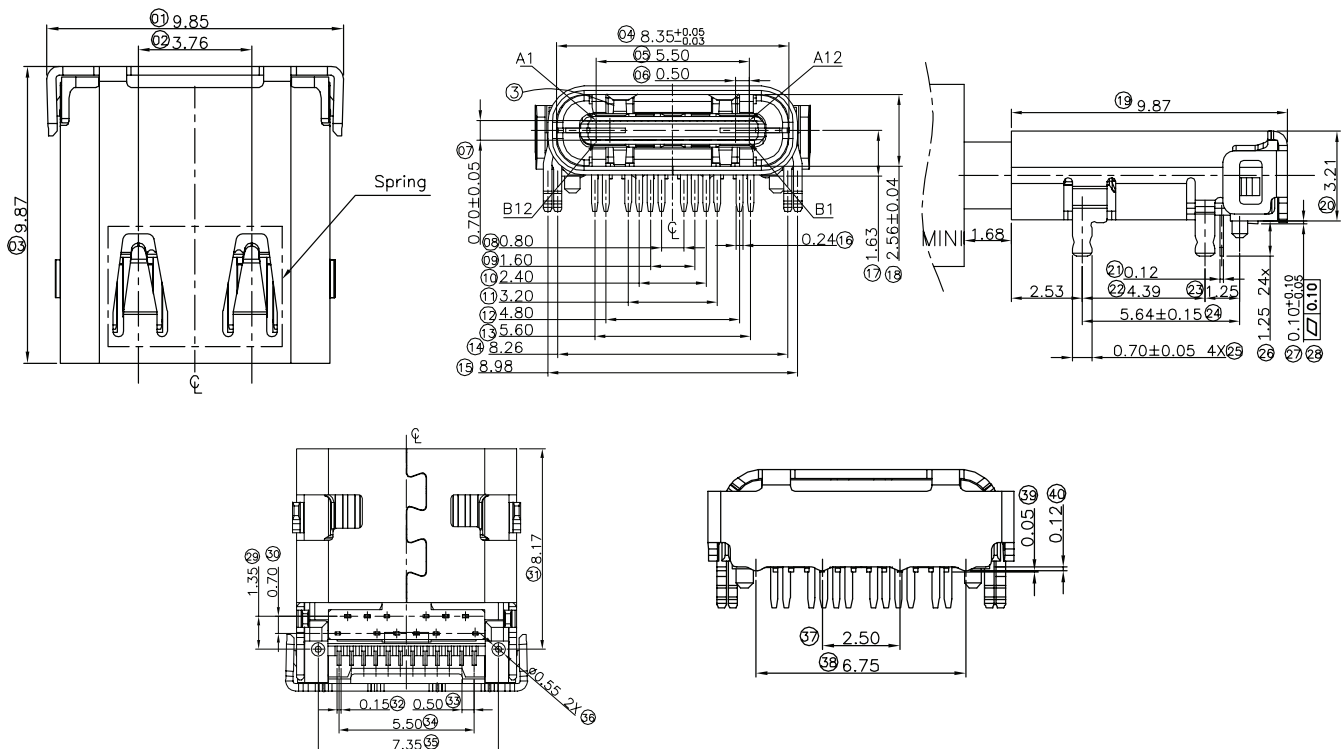
Insulation Resistance : 100MΩ Min.

Contact Resistance : 40mΩ Max.

Environmental

Operation Temperature : -25°C to +85°C

Diagram

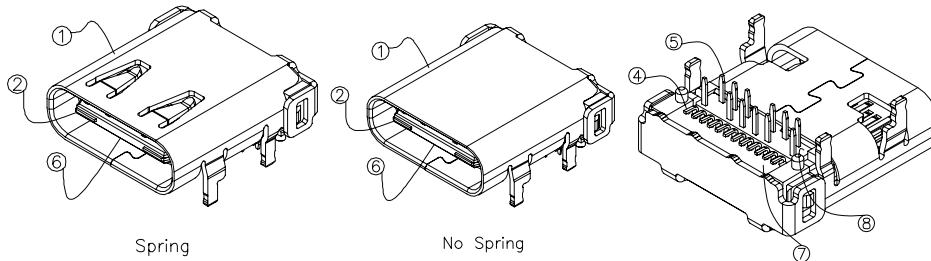


Dimensions : Millimetres

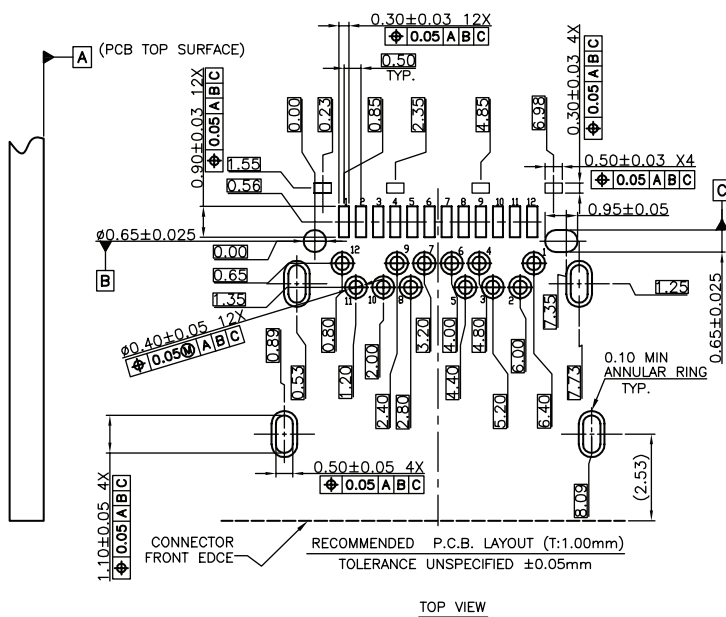
www.element14.com
www.farnell.com
www.newark.com



USB C Female SMT Connector With Spring and Without Spring



| | A | | B |
|----|--------|----|--------|
| 1 | GND | 12 | GND |
| 2 | SSTXp1 | 11 | SSRXp1 |
| 3 | SSTXn1 | 10 | SSRXn1 |
| 4 | VBUS | 9 | VBUS |
| 5 | CC1 | 8 | SUB2 |
| 6 | Dp1 | 7 | Dn2 |
| 7 | Dn1 | 6 | Dp2 |
| 8 | SUB1 | 5 | CC2 |
| 9 | VBUS | 4 | VBUS |
| 10 | SSRXn2 | 3 | SSTXn2 |
| 11 | SSRXp2 | 2 | SSTXp2 |
| 12 | GND | 1 | GND |



| No. | Name | Material | Qty. |
|-----|---------------|---------------|------|
| 1. | Shell | SUS | 1 |
| 2. | Latch | SUS | 1 |
| 3. | EMI | SUS | 2 |
| 4. | SMT Conector | Copper Alloy | 12 |
| 5. | DIP Conector | Copper Alloy | 12 |
| 6. | Latch Housing | Thermoplastic | 1 |
| 7. | SMT Housing | Thermoplastic | 1 |
| 8. | DIP Housing | Thermoplastic | 1 |

Dimensions : Millimetres

Part Number Table

| Description | Part Number |
|---|-------------|
| USB C Female SMT + H/T type, shell with spring | MC001002 |
| USB C Female SMT + H/T type, shell without spring | MC001003 |
| USB C Female SMT + H/T type, shell with spring | MC001002 |
| USB C Female SMT + H/T type, shell without spring | MC001003 |

Important Notice : This data sheet and its contents (the "Information") belong to the members of the Premier Farnell group of companies (the "Group") or are licensed to it. No licence is granted for the use of it other than for information purposes in connection with the products to which it relates. No licence of any intellectual property rights is granted. The Information is subject to change without notice and replaces all data sheets previously supplied. The Information supplied is believed to be accurate but the Group assumes no responsibility for its accuracy or completeness, any error in or omission from it or for any use made of it. Users of this data sheet should check for themselves the Information and the suitability of the products for their purpose and not make any assumptions based on information included or omitted. Liability for loss or damage resulting from any reliance on the Information or use of it (including liability resulting from negligence or where the Group was aware of the possibility of such loss or damage arising) is excluded. This will not operate to limit or restrict the Group's liability for death or personal injury resulting from its negligence. Multicomp is the registered trademark of the Group. © Premier Farnell plc 2012.

www.element14.com
www.farnell.com
www.newark.com

