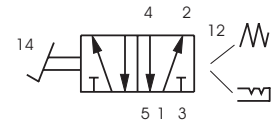
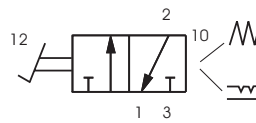


Directional control valves G¹/₄, 3/2 - 5/2

Manually operated valves

Symbol



Materials

| | |
|----------------|---|
| Body | Zinc diecast |
| Actuator | Zinc diecast |
| Spool | Stainless steel |
| Bushes | Brass |
| Seals | Viton (valve body) Nitrile (actuators) |
| Spring housing | Nylon (acetal resin) |

Technical information

| | |
|-------------------|-------------------------------|
| Type | Spool valve |
| Style | Body ported |
| Port size | G ¹ / ₄ |
| Mounting | Any plane |
| Temperature range | -10°C to +80°C |

Pneumatic information

| | |
|-----------------------|-----------------------|
| Pressure range | 0 to 10 bar |
| Nominal Ø | 7mm |
| Nominal flow at 7 bar | 26 dm ³ /s |

Ordering information

| Part nos. | Type | Actuator | Return | Symbol | Optional air pilot return |
|-----------------|------|------------|------------|--------|---------------------------|
| B53003FS | 3/2 | Foot pedal | Spring | | |
| B53004FS | 5/2 | Foot pedal | Spring | | |
| B53003G | 3/2 | Foot pedal | Foot pedal | | |
| B53004G | 5/2 | Foot pedal | Foot pedal | | |

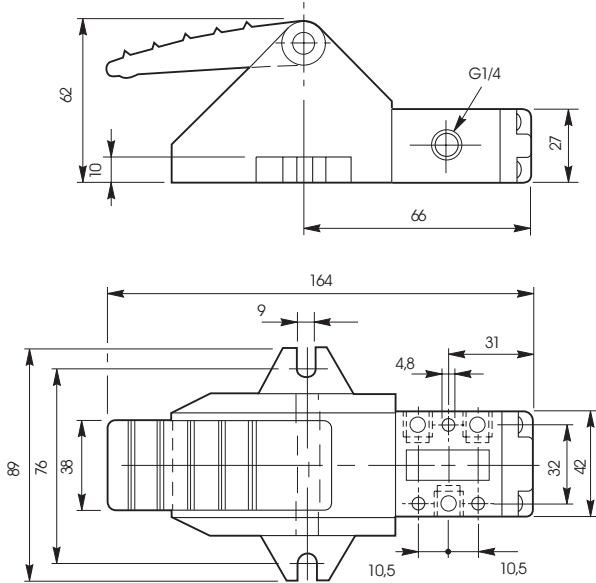
Note: For details of foot guard kits see page

Spring return valves are available with an air pilot return mechanism. To order delete 'S' for spring and add 'P'.
e.g. **B53003FP**

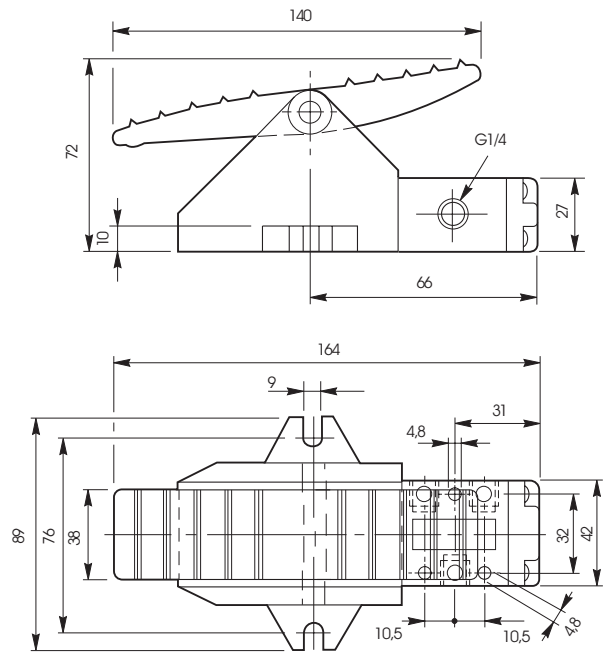
Directional control valves G¹/₄, 3/2 - 5/2

3/2 valve dimensions (mm)

Foot pedal operated
spring return

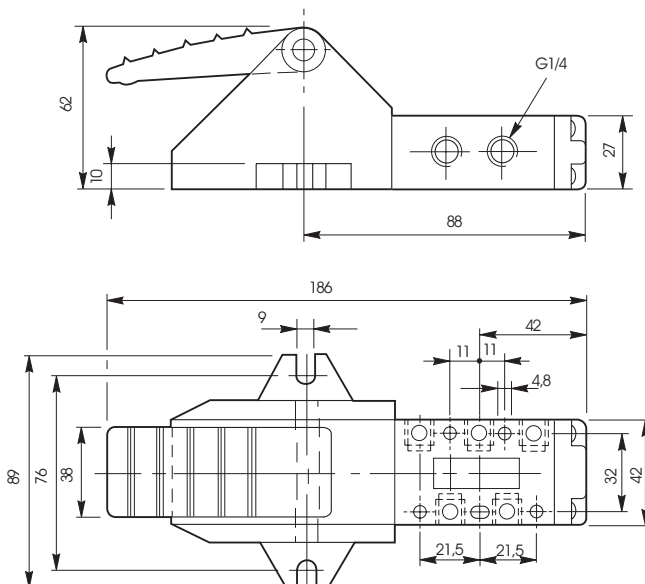


Foot pedal operated



5/2 valve dimensions (mm)

Foot pedal operated
spring return



Foot pedal operated

