

IEC Appliance Inlet C14 or C18 with Line Switch 1- or 2-pole



### Description

- Panel Mount:  
Screw-on version from front or rear side, snap-in version from front side
- 2 Functions:  
Appliance Inlet protection class I or II, Line Switch 1- or 2-pole
- Quick connect terminals 4.8 x 0.8 mm

### Approvals

- VDE Certificate Number: 40007009
- UL File Number: E96454

### Characteristics

- Ultra-compact design
- All single elements are already wired  
Unwired versions available on request
- Line switch non-illuminated or illuminated
- Ideal for application with high transient loads
- Suitable for use in equipment according to IEC/UL 60950

### Other versions on request

- Unwired versions
- Solder terminals
- Line switch with other rocker marking

### References

Alternative: version with line filter [DC12](#)  
Substitute for type [KEB1](#); [KEB2](#); [6010-K](#)

### Weblinks

[pdf-datasheet](#), [html-datasheet](#), [General Product Information](#), [Approvals](#), [CE declaration of conformity](#), [RoHS](#), [CHINA-RoHS](#), [REACH](#), [Mating Connectors](#), [e-Shop](#), [SCHURTER-Stock-Check](#), [Distributor-Stock-Check](#), [CAD-Drawings](#), [Accessories](#), [Wire Harnessing](#), [Detailed request for product](#)

Newly available variants corresponding to V-Lock mating cordset. The connector is equipped with a notch intended for use with the latching cordset. The cord latching system prevents against accidental removal of the cordset.

### Technical Data

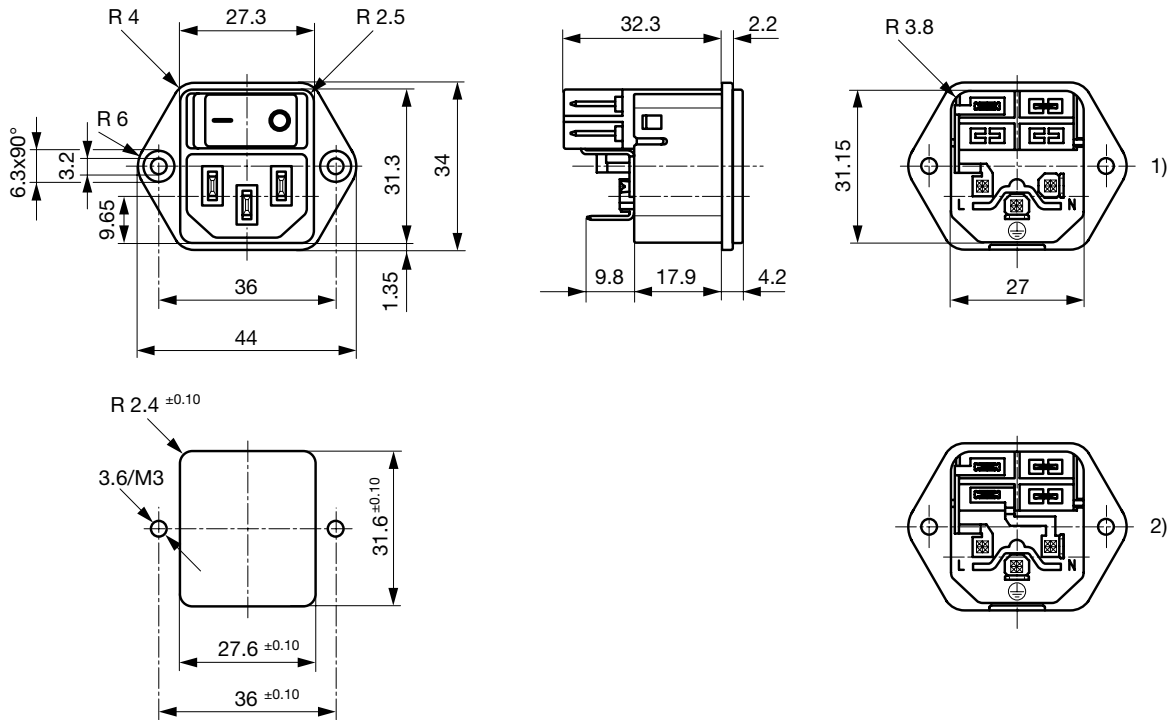
|                           |  |
|---------------------------|--|
| Ratings IEC               | 10A / 250VAC; 50Hz   |
| Ratings UL/CSA            | 15A / 250VAC; 50/60Hz <sup>1)</sup>  |
| Dielectric Strength       | > 2.5 kVAC between L-N<br>> 3 kVAC between L/N-PE<br>(1 min/50Hz)                |
| Allowable Operation Temp. | -25 °C to 70 °C  |
| Degree of Protection      | from front side IP 40 acc. to IEC 60529  |
| Protection Class          | Suitable for appliances with protection class I or II acc. to IEC 61140          |
| Terminal                  | Quick connect terminals 4.8 x 0.8 mm   |
| Panel Thickness s         | Screw: max 6 mm<br>Mounting screw torque max 0.5 Nm<br>Snap-in: 1/1.5/2/2.5/3 mm |
| Material: Housing         | Thermoplastic, black, UL 94V-0   |

|                 |   |
|-----------------|---|
| Appliance Inlet | C14 acc. to IEC 60320,<br>UL 498, CSA C22.2 no. 42 (for cold conditions) pin-temperature 70 °C, 10A, Protection Class I or II |
| Line Switch     | Rocker switch 1 or 2 pole, non-illuminated or illuminated, acc. to IEC 61058-1<br><a href="#">Technical Details</a>           |

<sup>1)</sup> Standard version 12 A / special version 15A

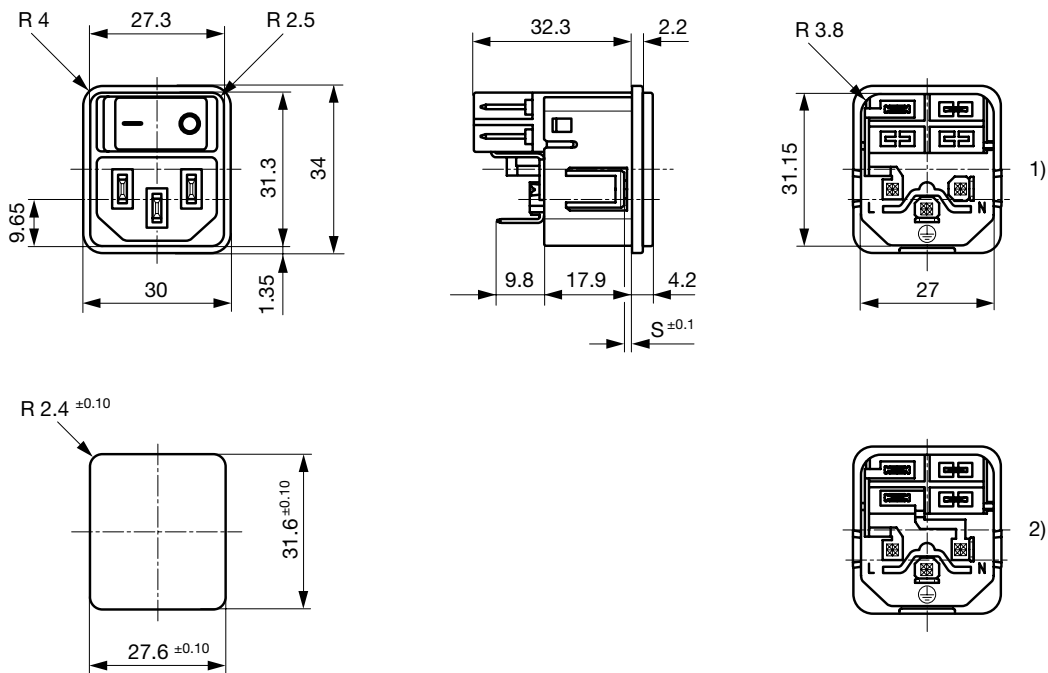
**Dimensions**

Screw-on mounting



- 1) 1-pol non-illuminated
- 2) 2-pol illuminated, 2-pol non-illuminated

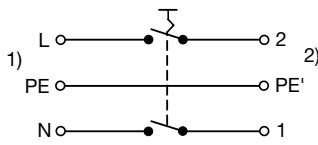
Snap-in mounting



- 1) 1-pol non-illuminated
- 2) 2-pol illuminated, 2-pol non-illuminated

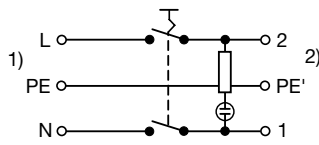
## Diagrams

Line switch non-illuminated 2-pole



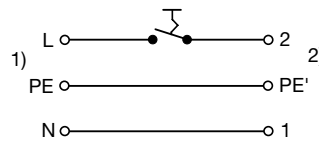
1) Line  
2) Load

Line switch illuminated 2-pole



1) Line  
2) Load

Line switch non-illuminated 1-pole



1) Line  
2) Load

## All Variants

| Rated Current<br>UL [A] | Protection Class | Panel mounting | Panel Thickness<br>s [mm] | Line Switch | Illumination | Color | Order Number     |
|-------------------------|------------------|----------------|---------------------------|-------------|--------------|-------|------------------|
| 12                      | I                | Snap-in        | 1.5                       | 2-pole      | ●            | red   | DC11.0021.201    |
| 15                      | I                | Snap-in        | 1.5                       | 2-pole      | ●            | red   | DC11.0021.206    |
| 12                      | I                | Snap-in        | 2                         | 2-pole      | ●            | red   | DC11.0021.301    |
| 12                      | I                | Snap-in        | 2.5                       | 2-pole      | ●            | red   | DC11.0021.401    |
| 12                      | I                | Snap-in        | 1.5                       | 2-pole      | ●            | green | DC11.0031.201    |
| 12                      | I                | Snap-in        | 2                         | 2-pole      | ●            | green | DC11.0031.301    |
| 12                      | I                | Snap-in        | 2.5                       | 2-pole      | ●            | green | DC11.0031.401    |
| 12                      | I                | Snap-in        | 1.5                       | 1-pole      | -            | -     | DC11.0001.203    |
| 15                      | I                | Snap-in        | 1.5                       | 1-pole      | -            | -     | DC11.0001.207    |
| 12                      | I                | Snap-in        | 2                         | 1-pole      | -            | -     | DC11.0001.303    |
| 12                      | I                | Snap-in        | 2.5                       | 1-pole      | -            | -     | DC11.0001.403    |
| 12                      | I                | Snap-in        | 2.5                       | 1-pole      | -            | -     | DC11.0001.403.21 |
| 12                      | I                | Snap-in        | 1.5                       | 2-pole      | -            | -     | DC11.0001.201    |
| 12                      | I                | Snap-in        | 1.5                       | 2-pole      | -            | -     | DC11.0001.201.21 |
| 15                      | I                | Snap-in        | 1.5                       | 2-pole      | -            | -     | DC11.0001.206    |
| 12                      | I                | Snap-in        | 2                         | 2-pole      | -            | -     | DC11.0001.301    |
| 12                      | II               | Snap-in        | 2                         | 2-pole      | -            | -     | DC11.0001.351    |
| 12                      | I                | Snap-in        | 2.5                       | 2-pole      | -            | -     | DC11.0001.401    |
| 12                      | I                | Snap-in        | 3                         | 2-pole      | -            | -     | DC11.0001.501    |
| 12                      | I                | Screw          | -                         | 2-pole      | ●            | red   | DC11.0021.001    |
| 15                      | I                | Screw          | -                         | 2-pole      | ●            | red   | DC11.0021.006    |
| 12                      | I                | Screw          | -                         | 2-pole      | ●            | green | DC11.0031.001    |
| 12                      | I                | Screw          | -                         | 1-pole      | -            | -     | DC11.0001.003    |
| 15                      | I                | Screw          | -                         | 1-pole      | -            | -     | DC11.0001.007    |
| 12                      | I                | Screw          | -                         | 2-pole      | -            | -     | DC11.0001.001    |
| 12                      | I                | Screw          | -                         | 2-pole      | -            | -     | DC11.0001.001.21 |
| 15                      | I                | Screw          | -                         | 2-pole      | -            | -     | DC11.0001.006    |

Most Popular.

Availability for all products can be searched real-time: <http://www.schurter.com/en/Stock-Check/Stock-Check-SCHURTER>

With screw mounting on PCB, 2 screws are included

All variants according VDE (ENEC 10) approved for 10 A

Suffix ".21" corresponds to the version with V-Lock mating cordset. The connector is equipped with a notch intended for use with the latching cordset. The cord latching system prevents against accidental removal of the cordset.

## Packaging unit

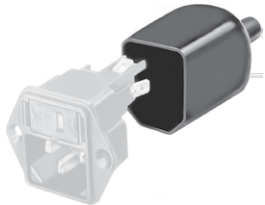
50 Pcs

Accessories

Description



[Wire Harness](#)  
Wire harness for SCHURTER products



[Assorted Covers](#)  
Rear Cover

0859.0047

4311.9403



[Cord retaining kits](#)  
Cord retaining strain relief

|                |           |
|----------------|-----------|
| Flat head, A   | 4700.0001 |
| Countersunk, B | 4700.0002 |

Mating Outlets/Connectors

Category / Description

[Appliance Outlet Overview complete](#)



|   |      |
|---|------|
| IEC Appliance Outlet F, Screw-on Mounting, Front Side, Solder Terminal                            | 4787 |
| IEC Appliance Outlet F, Snap-in Mounting, Front Side, Solder or Quick-connect Terminal            | 4788 |
| IEC Appliance Outlet F or H, Screw-on Mounting, Front Side, Solder, PCB or Quick-connect Terminal | 5091 |

[Appliance Outlet further types to DC11](#)

[Connector Overview complete](#)



|  |         |
|--|---------|
| 4782 Mounting: Power Cord, 3 x 1 mm <sup>2</sup> / 3 x 18 AWG, Cable, Connector: IEC C13     | 4782    |
| 4022 Mounting: Power Supply Cord, 3 x 1.5 mm <sup>2</sup> , Screw clamps, Connector: IEC C13 | 4022    |
| 4785 Mounting: Power Cord, 3 x 1 mm <sup>2</sup> / 3 x 18 AWG, Cable, Connector: IEC C13     | 4785    |
| 4300-06 Mounting: Power Cord, 3 x 1 mm <sup>2</sup> / 3 x 18 AWG, Cable, Connector: IEC C13  | 4300-06 |
| 4012 Mounting: Power Supply Cord, 3 x 1.5 mm <sup>2</sup> , Screw clamps, Connector: IEC C13 | 4012    |

[Connector further types to DC11](#)

...

[Power Supply Cord Overview complete](#)



|   |           |
|---|-----------|
| Cord Sets 10 A, Europlug, 2.5 m, Connector IEC C13, cord end: | 6004.0215 |
| Cord Sets 10 A, Europlug, 2.5 m, Connector IEC C13, cord end: | 6003.0215 |

[Power Supply Cord further types to DC11](#)

## Mating Outlets/Connectors shuttered

[Power Cord Overview complete](#)



|   |           |
|---|-----------|
| VAC17KS, North America, 2.0 m, Connector C17, cord end: | 6051.2801 |
| VAC17KS, Europlug, 2.0 m, Connector IEC C17, cord end:  | 6051.2803 |
| VAC13KS, Overview, diverse Connector IEC C13, cord end: | VAC13KS   |

[Power Cord further types to DC11](#)