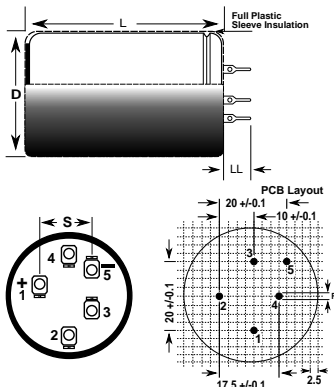


Capacitor, Aluminum, 0.01 F, -10/+30% Tol, -40/+85C, 40 VDC@85C



| Dimensions (mm) |           |           |
|-----------------|-----------|-----------|
| Symbol          | Dimension | Tolerance |
| D               | 40        | +/-1      |
| L               | 55        | +/-2      |
| S               | 20        | +/-0.1    |
| LL              | 7.5       | +/-0.5    |
| F               | 1.3       |           |

Notes:  
 -Dimensions D And L Include Sleevling

| General Information    |                                   |
|------------------------|-----------------------------------|
| Supplier:              | KEMET                             |
| Application:           | General Purpose                   |
| Part Type Description: | Solder Pin, Aluminum Electrolytic |
| Lead Type:             | 5 Pin Solder Pin                  |
| Weight:                | 95 g                              |
| RoHS:                  | Yes                               |

| Specifications     |                  |
|--------------------|------------------|
| Capacitance:       | 0.01 F           |
| Voltage:           | 40 VDC           |
| Tolerance:         | -10/+30%         |
| Voltage:           | 46 VDC (Surge)   |
| Rated Temperature: | 85C              |
| Temperature Range: | -40/+85C         |
| Life:              | 26000 Hrs        |
| Leakage Current:   | 2.4 mA           |
| Leakage Condition: | uAmps (5min 20C) |

| Packaging Specifications |      |
|--------------------------|------|
| Package Kind:            | Bulk |