

Tous droits strictement réservés. Reproduction ou communication à des tiers sans autorisation écrite du propriétaire.  
 FC CONNECT, BERG ELECTRONICS, INC.  
 Droits de reproduction: BERG ELECTRONICS by

All rights strictly reserved. Reproduction or issue to third parties in any form without written authority from the proprietor.  
 FC CONNECT, BERG ELECTRONICS, INC.  
 Copyright BERG ELECTRONICS by

PRODUCT NUMBER	NUMBER OF POS.	DIM A	DIM B	DIM C	DIM D	DIM E	DIM F	DIM G	LOADED POSITION	HOUSING COLOR	PRODUCT FIGURE	PLATING CODE X	PLATING
87180-X44/-X44LF/-X44HLF	4	3.05	3.81	7.62	11.20	3.05	5.50	7.87	ALL POS.	BLACK	FIGURE 1	0	30u" G.X.T.
2,3									1			15u" AU	
87180-X66/-X66LF/-X66HLF	6	5.08	6.35	10.16	13.20	4.06	6.60	9.90	ALL POS.	BLACK	FIGURE 1	2	20u" GFPD
2,3,4,5									3			30u" AU	
1,2,5,6									4			15u" G.X.T.	
3,4									5			50u" AU	
87180-X88/-X88LF/-X88HLF	8	7.11	8.89	11.43	15.24	4.06	6.30	11.94	ALL POS.	BLACK	FIGURE 2	6	6u" AU
ALL POS.									7			2u" AU	
2,3,4,5,6,7													
3,4,5,6													
1,4,5,8													
1,2,3,6													
1,2,7,8													
ALL POS.													
87180-X88G/-X88GLF									GREY				
87180-X84GSLF/-X84GSHLF									3,4,5,6				

OBSOLETE

NOTE 7 BERG MFG SLTE CODE

LEAD FREE PRODUCT NO.  
 MEETS PIP PROCESS PRODUCT NO.

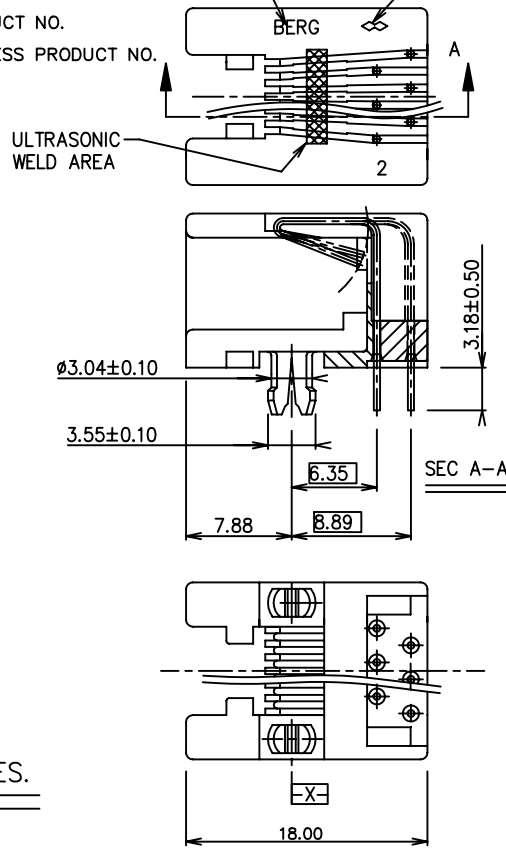
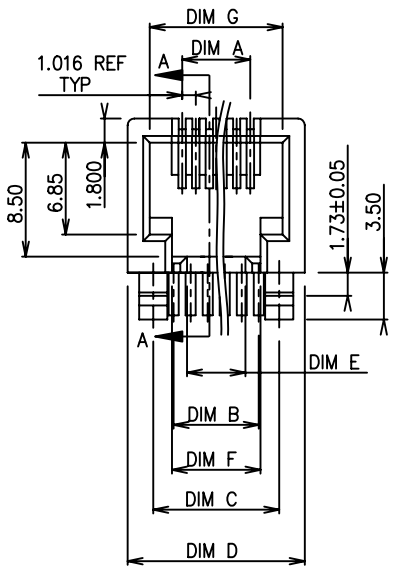
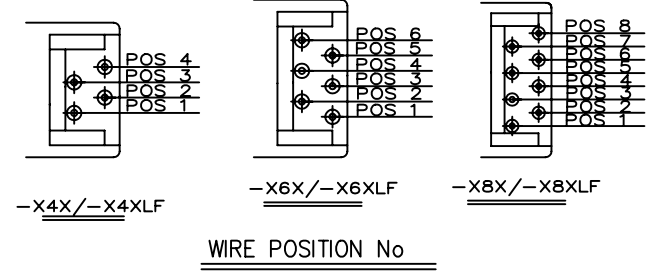


FIGURE 1 - 4 & 6 POS. TYPES.



mat'l code		tolerance unless otherwise specified		CUSTOMER COPY		FC CONNECT www.fcconnect.com	
rev. AC	ecn N08-0170	dr SH	date 09/25/08	linear	.00 ± 0.25	projection	title
V	T03-0373	WL	09/05/03		.00 ± 0.13	[Symbol]	LOW PROFILE PCB III HORZ MOD JACK, FOR 1.6MM P.C.B.
W	T04-0300	WL	07/08/04	angles	.000 ± 0.05		product family
X	T04-0325	RC	07/16/04	dr	± 2°	unit	code
Y	N05-0019	YS	01/27/05	enr		mm/inch	NT
AA	N06-0043	DT	02/20/06	chr		scale	sheet
AB	N08-0097	SH	08/13/08	appd		1:1	1 OF 2
sheet	revisor AA	Y		JENN TSAO	10/19/93	A3	87180
index	sheet	1	2				

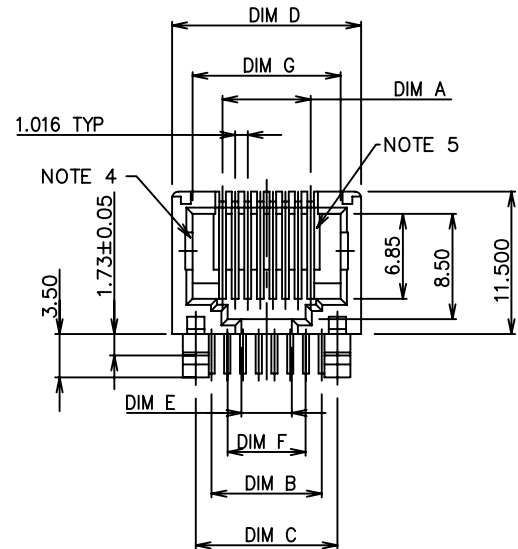
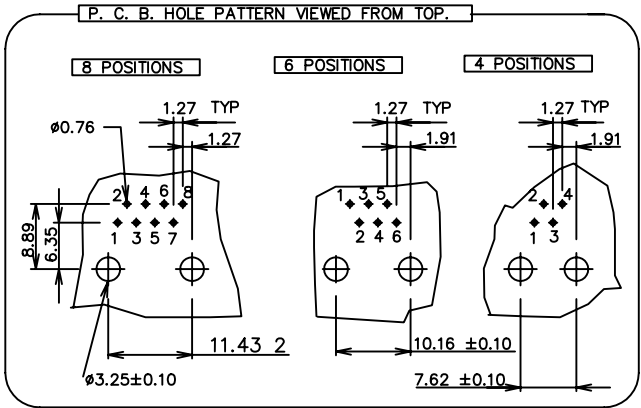
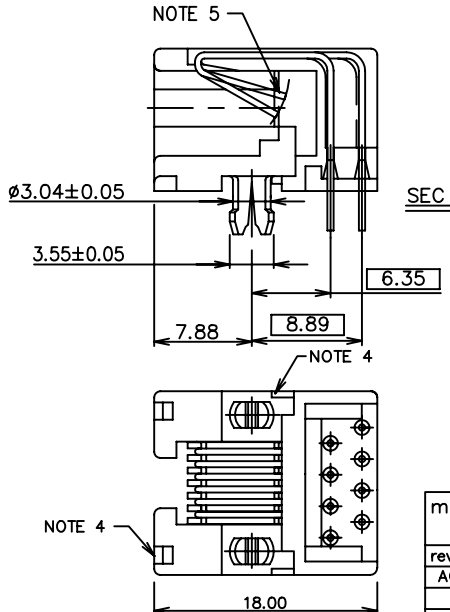
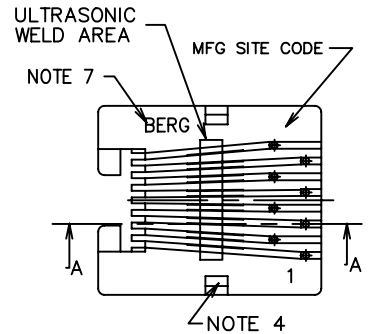


FIGURE 2- 8 POS TYPE.



NOTES:

1. RECOMMENDED P.C.B THICKNESS 1.60 MM
2. HOUSING MAT'L: NYLON 6/6, 25% GLASS REINFORCED, UL94-V0, COLOR : SEE TABLE.
3. CONTACTS: PHOS BRONZE ALLOY UNS-C51000, 0.460DIA. ROUND WIRE. PLATING SEE TABLE.
- ④ APPEARS ON 8 POS TYPE (P/N 87180-X8X) ONLY.
- ⑤ PROTRUDED SHELF ONLY APPEARS ON 8-POS JACK.
6. STANDARD PACKAGING METHOD(USE TUBE): SEE GES-14-361.
- ⑦ COMPANY LOGO CAN BE "BERG" OR "DU PONT", AND WOULD APPEAR IN THE SAME SHIPMENT UNLESS LOGO SPEC HEREIN IS UPDATED.
8. THE PRODUCT MEETS EUROPEAN UNION DIRECTIVES AND OTHER COUNTRY REGULATIONS AS DESCRIBED IN GS-22-008.
9. THE HOUSING WILL WITHSTAND EXPOSURE TO 260°C PEAK TEMPERATURE FOR 10 SECONDS IN A WAVE SOLDER APPLICATION WITH A 1.60mm MINIMUM THICK CIRCUIT BOARD.
10. IF LF P/N PACKAGING MEETS GS-14-920 SPECIFICATION.
- ⑩ EQUIVALENT THICKNESS Au AND GXT PLATING HAVE SAME FUNCTION AND THEY ARE ALTERNATIVE BY THE CUSTOEMR .

mat'l code		tolerance unless otherwise specified		CUSTOMER COPY		 www.fcjconnect.com	
rev.	ecn no.	dr	date	linear	.0 ± 0.25	projection	 title LOW PROFILE PCB III HORZ MOD JACK, FOR 1.6MM P.C.B.
				angles	.00 ± 0.13	 product family code size dwg no. TWN	
				dr	± 0.05		unit
				engr	± 2°	mm/inch	
				chr		scale	
				appd		1:1	
sheet	revisor						
index	sheet						

Tous droits strictement reserves. Reproduction ou communication a des tiers int sous quelque forme que ce soit sans autorisation écrite du propriétaire. Property of c BERG ELECTRONICS. Droits de reproduction BERG ELECTRONICS by



All rights strictly reserved. Reproduction or issue to third parties in any for whatever is not permitted without written authority from the proprietor. Copyright BERG ELECTRONICS by