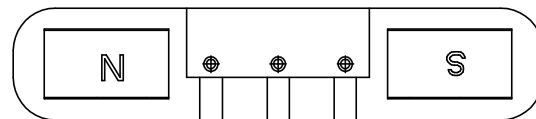
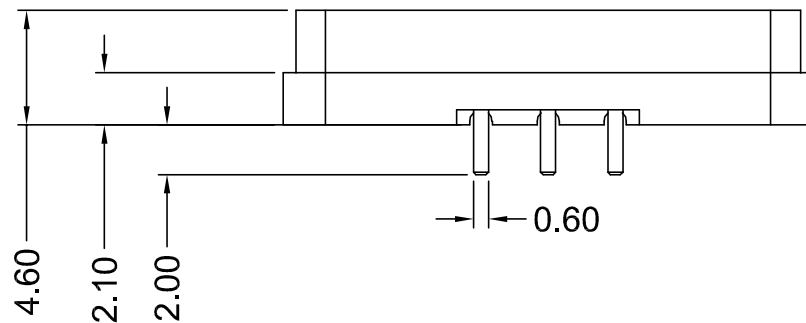
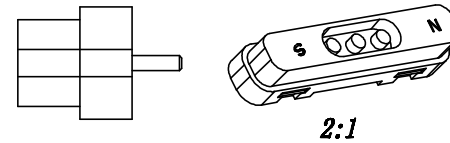
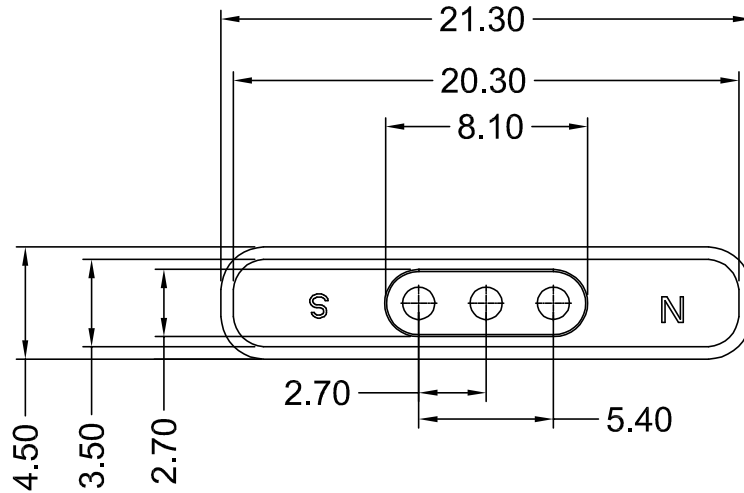


TOLERANCE UNLESS OTHERWISE SPECIFIED	
.XX	±0.15

THIS IS A C.A.D. GENERATED DRAWING  
DO NOT MAKE MANUAL REVISIONS TO MASTER.



ISSUE NUMBER	
ORIGINAL	①



**SPECIFICATION:**

CONTACT: BRASS  
 PLATING: GOLD FLASH PLATING ALL OVER  
 INSULATION: PA46, COLOR BLACK  
 VOLTAGE RATING: 12V  
 CURRENT RATING: 2A MAX.  
 INSULATION RESISTANCE: 100MEGAOHMS MIN.  
 DIELECTRIC WITHSTANDING VOLTAGE: 100V RMS AT 60HZ  
 CONTACT RESISTANCE: 30 mOHMS MAX. BEFORE TEST AND  
 60mOHMS MAX. AFTER TEST  
 MECHANICAL LIFE: 30000 CYCLES MIN.  
 OPERATING TEMPERATURE: -30°C~85°C



THIS SERIES FULLY CONFORMS TO  
THE EUROPEAN UNION DIRECTIVES  
2011/65/EU FOR RoHS COMPLIANCY.



YOUR CONNECTION TO QUALITY & SERVICE

EDAC INC  
TORONTO, ONTARIO  
CANADA

THESE DRAWINGS AND SPECIFICATIONS  
ARE THE PROPERTY OF EDAC INC., AND  
SHALL NOT BE REPRODUCED, OR COPIED  
OR USED AS THE BASIS FOR THE  
MANUFACTURE OR SALE OF APPARATUS  
WITHOUT WRITTEN PERMISSION.

POGO CONNECTOR, 3 POS, FEMALE		ACAD REFERENCE NO.: 686-0032221-111	
		DRAWN: E.S	DATE: JUN.1/2022
		CHECKED: J.L.	DATE: AUG.04/2022
		SCALE: (IN C.A.D. 1:1)	SHEET 1 OF 1
DRAWING NUMBER: 686-0032221-111			ISSUE
PART NUMBER: 686-0032221-111			1